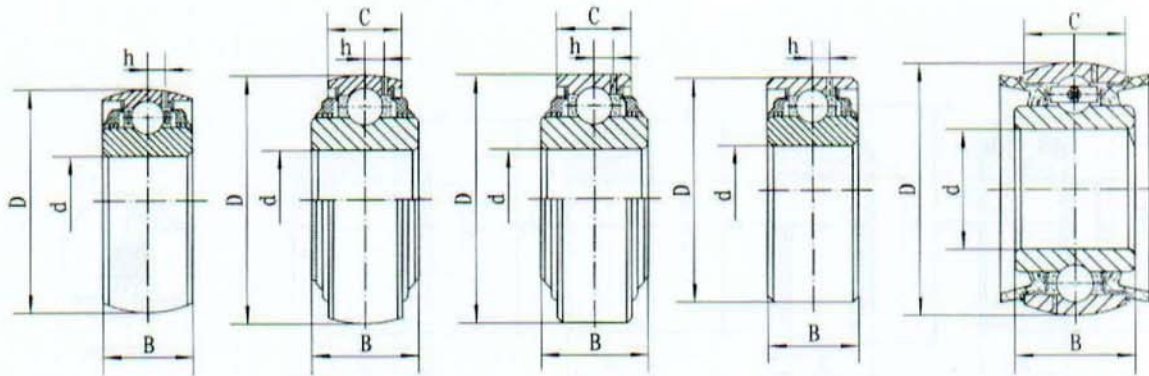


L3 TYPE SEAL

Bearing No	Type	Dimensions <small>mm in.</small>				Dynamic load ratings N	static load ratings N	Weight (kg)
		d	D	C	B			
W208PPB 2	1	1.5005	3.1496	0.7090	1.6913	29500	18100	0.598
		38.113	80.000	18.00	42.96			
W208PPB 7	1	1.180	3.1496	0.7090	1.1890	29500	18100	0.558
		30.175	80.000	18.00	30.20			
W208PPB 10	3	1.5005	3.1496	0.8268	1.6913	29500	18100	0.817
		38.113	80.000	21.00	42.96			
W208PPB 23	1	1.5005	3.1496	1.1890	1.6913	29500	18100	0.817
		38.113	80.000	30.20	42.96			
W209PPB 2	2	1.7717	3.3465	1.1890	1.1890	31600	20600	0.566
		45.000	85.000	30.20	30.20			
W209PPB 4	2	1.5350	3.3465	1.1890	1.1890	31600	20600	0.659
		39.000	85.000	30.20	30.20			
W209PPB 11	1	1.7811	3.3465	0.8660	1.4370	31600	20600	0.573
		45.240	85.000	22.00	36.50			
W210PP 2	4	1.9380	3.5433	1.1890	1.1890	35000	23200	0.667
		49.225	90.000	30.20	30.20			
W210PPB 2	2	1.9390	3.5433	1.1890	1.1890	35000	23200	0.708
		49.225	90.000	30.20	30.20			
W210PPB 5	2	1.7850	3.5433	1.1890	1.1890	35000	23200	0.749
		45.340	90.000	30.20	30.20			
W210PP 8	4	1.5300	3.5433	1.1890	1.1890	35000	23200	0.836
		38.862	90.000	30.20	30.20			
W211PP 2	4	2.1800	3.9370	1.3110	1.3110	43500	29200	1.010
		55.575	100.000	33.30	33.30			
W211PPB 2	2	2.1800	3.9370	1.3110	1.3110	43500	29200	0.810
		55.575	100.000	33.30	33.30			
W214PP 2	4	2.7559	4.9213	1.5630	1.5630	60800	45000	1.902
		70.000	125.000	39.70	39.70			
W214PPB 2	2	2.7559	4.9213	1.5630	1.5630	60800	45000	1.667
		70.000	125.000	39.70	39.70			
W214PPB 9	1	2.7661	4.9213	1.1024	1.7500	60800	45000	1.902
		70.260	125.000	28.00	44.45			
WIR210-31	5	1.937	2.543	0.787	1.937	35000	23200	0.740
		49.2	90	20	49.2			
WIR211-33	5	2.063	3.937	0.827	2.189	43500	29200	1.122
		52.388	100	21	56.6			
WIR212-39	5	2.437	4.331	0.866	2.437	47700	32900	1.249
		61.912	110	22	61.9			



L3TYPE SEAL

TYPE1

TYPE2

TYPE3

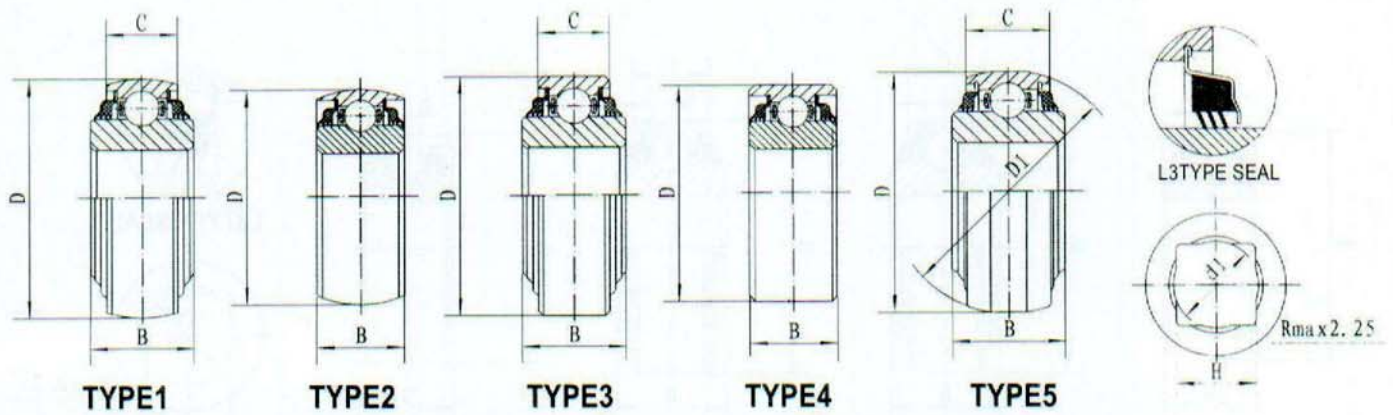
TYPE4

TYPE5

Bearing No	Type	Dimensions <small>mm in.</small>					Dynamic load ratings N	static load ratings N	Weight (kg)
		d	D	C	B	h			
GW205PPB 7	2	0.9375	2.0472	0.5906	1.3780	0.1693	14000	7850	0.202
		23.812	52.000	15.00	35.00	4.30			
GW208PPB 7	2	1.1880	3.1496	0.9450	1.1890	0.2520	29500	18100	0.600
		30.175	80.000	24.00	30.20	6.40			
GW209PPB 2	1	1.7717	3.3465	1.1890	1.1890	0.2598	31600	20600	0.582
		45.000	85.000	30.20	30.20	6.60			
GW209PPB 4	1	1.5354	3.3465	1.1890	1.1890	0.2598	31600	20600	0.603
		39.000	85.000	30.20	30.20	6.60			
GW209PPB 11	2	1.7811	3.3465	0.8660	1.4370	0.2598	31600	20600	0.573
		45.240	85.000	22.00	36.50	6.60			
GW210PPB 2	1	1.9380	3.5433	1.1890	1.1890	0.2598	35000	23200	0.616
		49.225	90.000	30.20	30.20	6.60			
GW210PPB 3	4	1.4766	3.5233	1.1890	1.1890	0.2598	35000	23200	1.022
		37.530	90.000	30.20	30.20	6.60			
GW210PPB 5	1	1.7850	3.5433	1.1890	1.1890	0.2598	35000	23200	0.648
		45.340	90.000	30.20	30.20	6.60			
GW210PPB 9	3	1.9449	3.5433	0.9055	1.4370	0.2598	35000	23200	0.793
		49.400	90.000	23.00	36.50	6.60			
GW211PP 2	4	2.1890	3.9370	1.3126	1.3126	0.2992	43500	29200	0.880
		55.575	100.000	33.30	33.30	7.60			
GW211PPB 2	1	2.1880	3.9370	1.3126	1.3126	0.2992	43500	29200	0.810
		55.575	100.000	33.30	33.30	7.60			
GW211PPB 8	2	2.1880	3.9370	0.9840	1.3126	0.2992	43500	29200	0.750
		55.575	100.000	25.00	33.30	7.60			
GW211PPB 9	2	2.1949	3.9370	0.984	1.563	0.2992	43500	29200	0.917
		55.750	100.000	25	39.7	7.60			
GW211PPB 10	1	1.9380	3.9370	1.3126	1.3126	0.2992	43500	29200	1.026
		49.225	100.000	33.30	33.30	7.60			
GW211PPB 13	2	1.7850	3.9370	0.9840	1.3126	0.2992	43500	29200	0.985
		45.340	100.000	25.00	33.30	7.60			
GW211PPB 14	2	2.0150	3.9370	0.9840	1.3126	0.2992	43500	29200	0.990
		51.180	100.000	25.00	33.30	7.60			
GW211PPB 20	5	2.1949	3.9370	1.2992	1.5748		43500	29200	1.038
		55.750	100.000	33.00	40.00				
GW214PP 2	4	2.7559	4.9213	1.5630	1.5630	0.3543	60800	45000	1.902
		70.000	125.000	39.70	39.70	9.00			
GW214PPB 2	1	2.7559	4.9213	1.5630	1.5630	0.3543	60800	45000	1.666
		70.000	125.000	39.70	39.70	9.00			
GW214PPB 6	4	2.6882	4.9213	1.1024	2.6874	0.3543	60800	45000	1.362
		68.280	125.000	28.00	68.26	9.00			
GW309PPB 2	2	1.7717	3.9370	1.0630	1.8740	0.3386	52880	31800	0.980
		45.000	100.000	27.00	47.60	8.60			

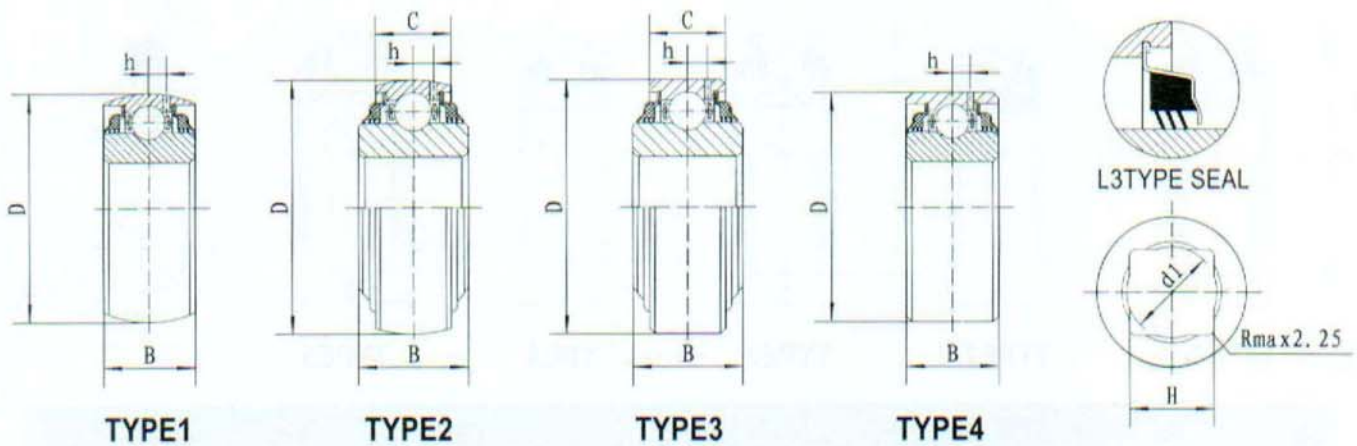
Square Bore

Non-Relubricatable Series



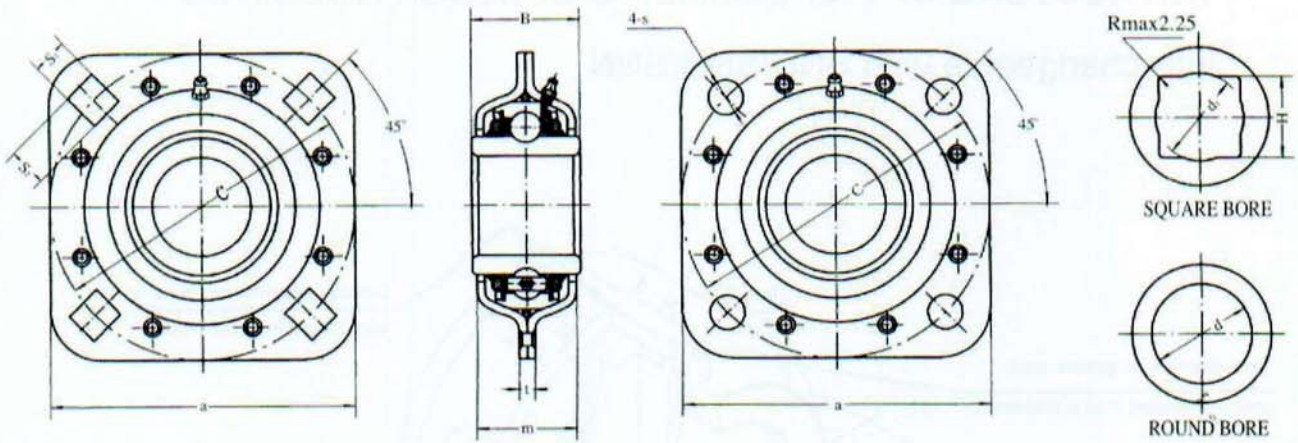
Bearing No	Type	Dimensions ^{mm}						Dynamic load ratings N	static load ratings N	Weight (kg)
		H	d1	D	D1	C	B			
W208PP 5	3	1.1800	1.2598	3.1496		0.7090	1.4370	29500	18100	0.600
		29.972	32.000	80.000		18.00	36.50			
W208PPB 5	1	1.1800	1.2598	3.1496		0.7090	1.4370	29500	18100	0.590
		29.972	32.000	80.000		18.00	36.50			
W208PP 6	3	1.0300	1.0945	3.1496		0.7090	1.4370	29500	18100	0.662
		26.162	27.800	80.000		18.00	36.50			
W208PPB 6	1	1.0300	1.0945	3.1496		1.1890	1.4370	29500	18100	0.652
		26.162	27.800	80.000		18.00	36.50			
W208PP 8	3	1.1800	1.2598	3.1496		1.1890	1.4370	29500	18100	0.709
		29.972	32.000	80.000		30.20	36.50			
W208PPB 8	1	1.1800	1.2598	3.1496		1.1890	1.4370	29500	18100	0.735
		29.972	32.000	80.000		30.20	36.50			
W208PPB 9	1	1.0300	1.0945	3.1496		1.1890	1.4370	29500	18100	0.788
		26.162	27.800	80.000		30.20	36.50			
W208PPB 11	5	0.9050	0.9764	3.4020	0.4385	1.1890	1.4370	29500	18100	0.956
		22.987	24.800	85.750	87.338	30.20	36.50			
W208PPB 12	5	1.1800	1.2598	3.4020	0.4385	1.1890	1.4370	29500	18100	0.953
		29.972	32.000	85.750	87.338	30.20	36.50			
W208PPB 13	1	0.9050	0.9764	3.1496		0.7090	1.4370	29500	18100	0.690
		22.987	24.800	80.000		18.00	36.50			
W209PPB 5	1	1.2900	1.3504	3.3465		1.1890	1.4370	31600	20600	0.945
		32.766	34.300	85.000		30.20	36.50			
W209PPB 8	1	1.2900	1.3504	3.3465		0.7480	1.4370	31600	20600	0.723
		32.766	34.300	85.000		19.00	36.50			
W210PP 4	4	1.1800	1.2598	3.5433		1.1890	1.1882	35000	23200	1.049
		29.972	32.000	90.000		30.20	30.20			
W210PPB 4	2	1.1800	1.2598	3.5433		1.1890	1.1890	35000	23200	0.846
		29.972	32.000	90.000		30.20	30.20			
W210PPB 6	1	1.1800	1.2598	3.5433		1.1890	1.4370	35000	29200	0.733
		29.972	32.000	90.000		30.20	36.50			
W211PP 3	4	1.5311	1.6535	3.9370		1.3126	1.3126	43500	29200	1.271
		38.890	42.000	100.000		33.30	33.30			
W211PPB 3	2	1.5311	1.6535	3.9370		1.3126	1.3126	43500	29200	1.208
		38.890	42.000	100.000		33.30	33.30			
W211PP 5	3	1.5311	1.6535	4.0000		1.4370	1.7500	43500	29200	1.302
		38.890	42.000	101.600		36.50	44.45			
W211PPB 6	5	1.5311	1.6535	4.0772	4.1299	1.4370	1.7500	43500	29200	1.610
		38.890	42.000	103.560	104.90	36.50	44.45			
4509BA	3	1.2900	1.3504	3.3465		1.1890	1.3976	31600	20600	0.782
		32.766	34.300	85.000		30.20	35.50			

Hex bove bearing also avai table



Bearing No	Type	Dimensions ^{mm} _{in.}						Dynamic load ratings N	static load ratings N	Weight (kg)
		H	d1	D	C	B	h			
GW208PPB 5	2	1.1800	1.2598	3.1490	0.9450	1.4370	0.2520	29500	18100	0.635
		29.972	32.000	80.000	24.00	36.50	6.40			
GW208PPB 6	2	1.0300	1.0945	3.1490	0.9450	1.4370	0.2520	29500	18100	0.762
		26.162	27.800	80.000	24.00	36.50	6.40			
GW208PPB 8	2	1.1800	1.2598	3.1490	1.1890	1.4370	0.2520	29500	18100	0.658
		29.972	32.000	80.000	30.20	36.50	6.40			
GW209PPB 5	2	1.2900	1.3504	3.3465	1.1890	1.4370	0.2598	31600	20600	0.795
		32.766	34.300	85.000	30.20	36.50	6.60			
GW209PPB 8	2	1.2900	1.3504	3.3465	0.8661	1.4370	0.2598	31600	20600	0.749
		32.766	34.300	85.000	22.00	36.50	6.60			
GW209PPB 17	2	1.1800	1.260	3.3155	1.1890	1.4370	0.2598	31600	20600	1.922
		29.972	32.000	85.738	30.20	36.50	6.60			
GW210PPB 4	1	1.1800	1.2598	3.5433	1.1890	1.1890	0.2598	35000	23200	0.840
		29.972	32.000	90.000	30.20	30.20	6.60			
GW211PPB 3	4	1.5311	1.6535	3.9370	1.3126	1.3126	0.2992	43500	29200	1.106
		38.890	42.000	100.00	33.30	33.30	7.60			
GW211PPB 3	1	1.5311	1.6535	3.9370	1.3126	1.3126	0.2992	43500	29200	1.036
		38.890	42.000	100.00	33.30	33.30	7.60			
GW211PP 5	3	1.5311	1.6535	4.0000	1.4370	1.7500	0.2992	43500	29200	1.302
		38.890	42.000	101.60	36.50	44.45	7.60			
GW211PP 17	3	1.5311	1.6535	3.9370	1.3126	1.7500	0.2992	43500	29200	1.252
		38.890	42.000	100.00	33.30	44.45	7.60			
GW214PPB 4	1	2.0550	2.1610	4.9213	1.5630	1.5630	0.3543	60800	45000	2.157
		52.200	54.900	125.00	39.70	39.70	9.00			

Hex bore bearing also available



Unit No.	mm Dimensions inch											Dynamic load ratings N	static load ratings N
	H	d	a	B	m	l	C	s	s ₁	s ₂	d		
ST209-1-1/8	29.972	---	127	42.8	42	6	127	13.5	13.5	17.45	32.0	31600	20600
ST209-30S	31.353	---	127	42.8	42	6	127	13.5	13.5	17.45	34.5	31600	20600
ST209-1-1/4	32.766	---	127	42.8	42	6	127	13.5	13.5	17.45	34.5	31600	20600
ST491B	---	38.860	127	42.8	42	6	127	13.5	13.5	17.45	---	31600	20600
ST209-40R	---	40.878	127	42.8	42	6	127	13.5	13.5	17.45	---	31600	20600
ST491A	---	45.000	127	42.8	42	6	127	13.5	13.5	17.45	---	31600	20600
ST209-45R	---	45.340	127	42.8	42	6	127	13.5	13.5	17.45	---	31600	20600
ST491AS	---	45.000	121	46	42	6	121	13.5	---	---	---	31600	20600
ST211-1-1/2	38.890	---	139.7	50.8	46	8	139.7	13.5	13.5	17.45	42.0	43500	29200
ST211-40S	40.878	---	139.7	50.8	46	8	139.7	13.5	13.5	17.45	43.1	43500	29200
ST211-50R	---	50.400	139.7	50.8	46	8	139.7	13.5	13.5	17.45	---	43500	29200
ST211-55R	---	55.575	139.7	50.8	46	8	139.7	13.5	13.5	17.45	---	43500	29200
ST211-1-3/4	---	45.212	139.7	55.6	46	8	139.7	13.5	13.5	17.45	---	43500	29200
ST211-2-3/16	---	55.575	139.7	55.6	46	8	139.7	13.5	13.5	17.45	---	43500	29200
ST211-1-15/16	---	49.238	139.7	69.9	46	8	139.7	13.5	13.5	17.45	---	43500	29200
ST211	---	55.000	139.7	55.6	46	8	139.7	13.5	13.5	17.45	---	43500	29200
ST740	---	55.562	139.7	55.6	45	7	139.7	13.5	13.5	17.45	---	43500	29200