



### Thermoplastic monnted units

The high grade thermoplastic raw material,from which FK manufactures its plastic products endower the final products with a collection of properties which make them very succesfull and sought after products in the food and chemical industry. Main properties: high strength, low friction, high wear and shock resirance, high chemical resistance and antirust.

#### FK Thermoplastic housings

FK bearing housings are made by FK high-gradeglass-filled thermoplastic polyester and they are comple- tely interchangeable with conventional cast iron hou-sings. These maintenance-free housings have excellent mechanical strenght, stiffness and dimensional stability,yet they can never rust or corrode. Where high standards of cleanliness are important, such as in the food and foodhandeling industries, their smooth surfaces are much more hygienic than those of cast iron housings whoserough surfaces can harbor objectionable dirt, moldor bacteria.

#### No plating or coating to chip or peel

Coated or plated cast iron housings can scratch, chip and peel in fact, the very act of installing them causes the finish to be removed around the edges of the bolts that hold them in place.Because FK housings ar solid P BT, coatings are not re-quired to protect them. And even should they be scrat-ched or chipped, there is no vulne rable castiron that can be exposed.

#### Used in many industries

Because of their corrosion-resistant and non-magneticproperties, FK housings are used in a wide variety of indstries,including: food processing,canning,btting,pharmaceutical, chemical proce ssing and in many gene- ral industrial application.

#### FK Housings are durable

You can be completely confident that FK plastic hou- sings wil stand out to the toughest appliations. Tensile strenght at break is an impressive 17,300 psi. The housings can be cleaned or hosed down with hot water, and will operate at temperatures to 102°C bolts and stainless steel grease nipple.

#### PROPERTIES OF PBT

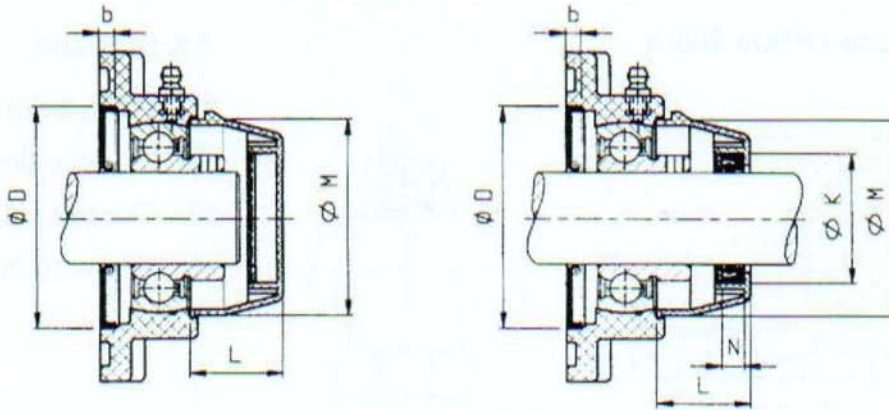
Properties	Unit	Test method	
Mechanical			-
Tensile strenght at yield	N/mm <sup>2</sup>	ASTM D 638	115
at break	N/mm <sup>2</sup>	ASTM D 638	-
Elongation at yield	%	ASTM D 638	3
at break	%	ASTM D 638	
Tensile modulus	N/mm <sup>2</sup>	ASTM D 638	8000
Flexural yield strength	N/mm <sup>2</sup>	ASTM D 790	-
Flexural yield strength	N/mm <sup>2</sup>	ASTM D 790	170
Flexural modulus	N/mm <sup>2</sup>	ASTM D 790	7000
Notched impact strength Charpy	K/m <sup>2</sup>	DIN 53453	12
Notched impact strength IZOD	J/m	ASTM D 256	
Hardness H358/10	N/mm <sup>2</sup>	DIN 53456	104
H358/60	N/mm <sup>2</sup>	DIN 53456	101
Rockwell	-	ASTM D 785	L102
Thermal			
Oxygen index <sup>a</sup>	%	ASTM D 2863	19
Flame retardancy <sup>a</sup> (1/6mm thickness)	-	UL stand 94	94HB
Heat resistance: Vicat, method B	°C	ASTM D 1525	210-215
Thermal conductivity	W/m <sup>2</sup> C	ASTM C 177	0.19
Mould shrinkage flow	%	ASTM D 1299	0.4-0.6
Cross flow direction	%	ASTM D 1299	0.5-0.8
Physical			
Water absorption 24 Hrs, 23°C	%	ASTM D 570	0.06

#### CHEMICAL RESISTANCE OF PBT

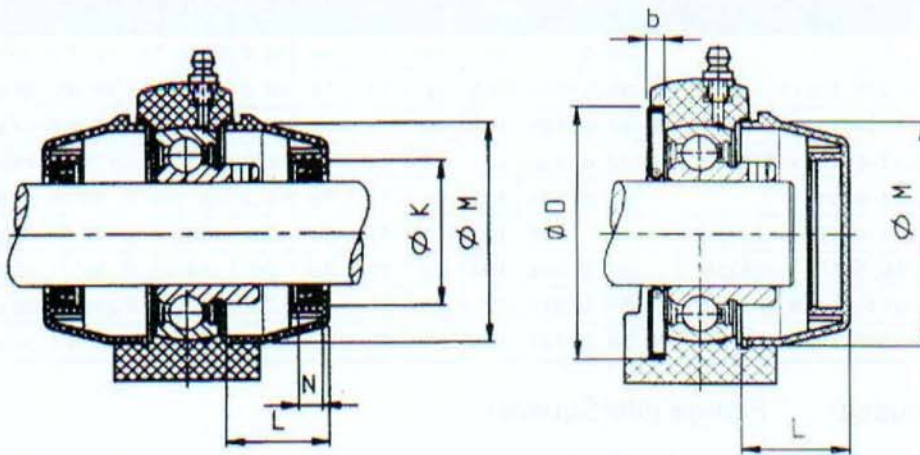
Chemical media	°C	Immulsion % Days	% Retention of strenght
<b>Acids</b>			
10% Hydrochloric	23	30	89
	23	90	85
	23	180	82
10% Sulfuric	23	30	97
	23	90	94
	23	180	90
36% Sulfuric (battery)	23	30	97
	23	180	96
	66	30	84
	66	180	35
10% Acetic	23	30	89
	23	180	88
<b>Bases</b>			
5% Potassium Hydroxide	23	30	83
	23	90	10
10% Sodium Hydroxide	23	30	2
	23	180	-
10% Ammonium Hydroxide	23	30	90
	23	90	87
	23	180	58
<b>Organic Solvents</b>			
Ethyl Alcohol	23	30	99
	23	180	94
Methyl Alcohol	23	30	91
	23	180	76
Isopropyl-Alcohol	23	30	100
	23	180	100
Isopropyl-Alcohol & Water (50:50)	23	30	93
	23	180	96
Turpentine	23	180	92
	23	30	66
Acetone	23	180	63
	23	30	90



Plastic and Covers (Open / Close) & Back seal



Flange Units

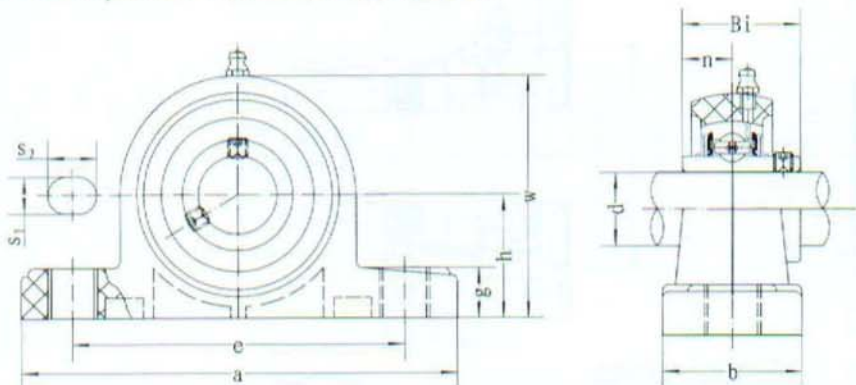


Pillow Blocks Units

Shaft diameter		Dimensions (mm)					
mm	inch	K	N	L	M	D	b
12	1/2	32	7	23	50	52	6
15	9/16 5/8	32	7	23	50	52	6
17	11/16	32	7	23	50	52	6
20	3/4	32	7	23	50	52	6
25	13/16 7/8 15/16 1	37	7	25	55	62	6
30	1-1/16 1-1/8 1-3/16 1-1/4	42	7	30	64	72	6
35	1-1/4 1-15/16 1-3/8 1-7/16	47	7	32	74.5	82	6
40	1-1/2 1-9/16	52	7	37	84	88	6
45	1-5/8 1-11/16 1-3/4	57	7	41	89	93	6
50	1-13/16 1-7/8 1-15/16 2	62	7	47	94	98	6
55	2 2-1/16, 2-1/8, 2-3/16,	67	7	52	104	108	6
60	2-1/4, 2-5/16, 2-3/8, 2-7/16,	72	7	57	114	118	6



### Thermoplastic Housed Pillow Block

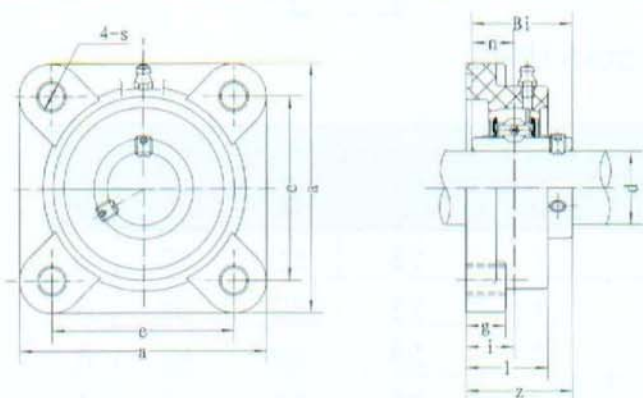


### FK Suffixes

- B: Black color Housing
- G: Green color Housing
- O: Orange color housing
- W: White color housing

Unit No.	Shaft diameter		Dimensions (mm)										Weight (Kg)	Max. Torque		Housing No.	Bearing No.
	mm	inch	h	a	e	b	s <sub>1</sub>	s <sub>2</sub>	g	w	Bi	n		Bolli D	Nm		
UCPPL204B0	20	3/4	33.3	127	95	38	11	14	14.2	65.5	31	12.7	0.29	M10	18	PPL204	UC204BO
UCPPL205B0	25	13/16, 7/8, 15/16,	36.5	140.5	105	38	11	14	14.5	71	34.1	14.3	0.34	M10	25	PPL205	UC205BO
UCPPL206B0	30	1-1/16, 1-1/8, 1-3/16, 1-1/4,	42.9	163	119	46	14	18	17.8	84	38.1	15.9	0.54	M10	30	PPL206	UC206BO
UCPPL207B0	35	1-1/4, 1-5/16, 1-3/8, 1-7/16	47.6	168	127	48	14	18	18	94.5	42.9	17.5	0.78	M12	35	PPL207	UC207BO
UCPPL208B0	40	1-1/2, 1-9/16,	49.2	184	137	54	14	18	19.5	99	49.2	19	0.97	M12	45	PPL208	UC208BO
UCPPL209B0	45	1-5/8, 1-11/16, 1-3/4,	54	192	146	54	17	20	23	106	49.2	19	1.09	M16	50	PPL209	UC209BO
UCPPL210B0	50	1-13/16, 1-7/8, 1-15/16, 2	57.2	206	159	60	17	20	23	114	51.6	19	1.20	M16	55	PPL210	UC210BO
UCPPL211B0	55	2, 2-1/16, 2-1/8, 2-3/16,	63.5	219	171	60	20	23	23	125	55.6	22.2	1.38	M16	60	PPL211	UC211BO
UCPPL212B0	60	2-1/4, 2-5/16, 2-3/8, 2-7/16,	69.8	241	184	70	20	23	25	138	65.1	25.4	1.52	M16	65	PPL212	UC212BO

### Thermoplastic Housed Flange nuts(Square)



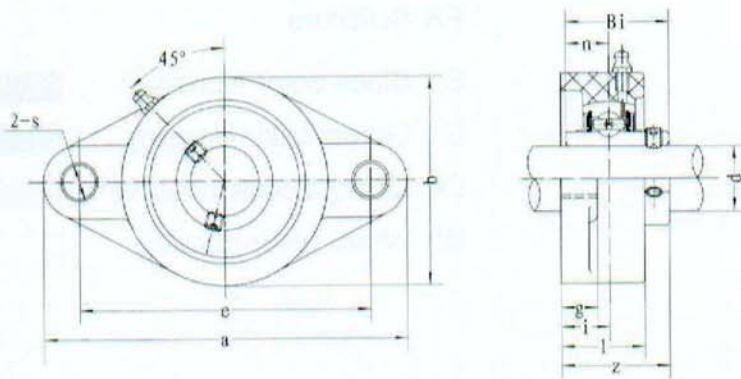
### FK Suffixes

- B: Black color Housing
- G: Green color Housing
- O: Orange color housing
- W: White color housing

Unit No.	Shaft diameter		Dimensions (mm)										Weight (Kg)	Max. Torque		Housing No.	Bearing No.
	mm	inch	a	e	g	l	s	z	i	Bi	n	Bolli D		Nm			
UCFPL204B0	20	3/4	86	63.5	13.4	27.8	11	36.3	18	31	12.7	0.29	M10	18	FPL204	UC204BO	
UCFPL205B0	25	13/16, 7/8, 15/16, 1	95	70	14.3	28	11	36.7	17	34.1	14.3	0.36	M10	25	FPL205	UC205BO	
UCFPL206B0	30	1-1/16, 1-1/8, 1-3/16, 1-1/4,	107	83	14.3	31.5	11	41.4	19.2	38.1	15.9	0.50	M10	30	FPL206	UC206BO	
UCFPL207B0	35	1-1/4, 1-5/16, 1-3/8, 1-7/16	118	92	15.5	34.8	13	46.9	21.5	42.9	17.5	0.74	M12	35	FPL207	UC207BO	
UCFPL208B0	40	1-1/2, 1-9/16,	130	102	17	37.5	14	53.2	23	49.2	19	0.97	M12	40	FPL208	UC208BO	
UCFPL209B0	45	1-5/8, 1-11/16, 1-3/4,	137	105	19	41	17	54.2	24	49.2	19	1.10	M16	45	FPL209	UC209BO	
UCFPL210B0	50	1-13/16, 1-7/8, 1-15/16, 2	143	111	21	43	17	57.6	25	51.6	19	1.25	M16	50	FPL210	UC210BO	
UCFPL211B0	55	2-1/16, 2-1/8, 2-3/16,	162	130	20	43	19	63	25	55.6	22.2	1.40	M16	55	FPL211	UC211BO	
UCFPL212B0	60	2-1/4, 2-5/16, 2-3/8, 2-7/16,	175	143	20	48	19	73.5	29	65.1	25.4	1.60	M16	60	FPL212	UC212BO	



### Thermoplastic Housed Flange Blocks

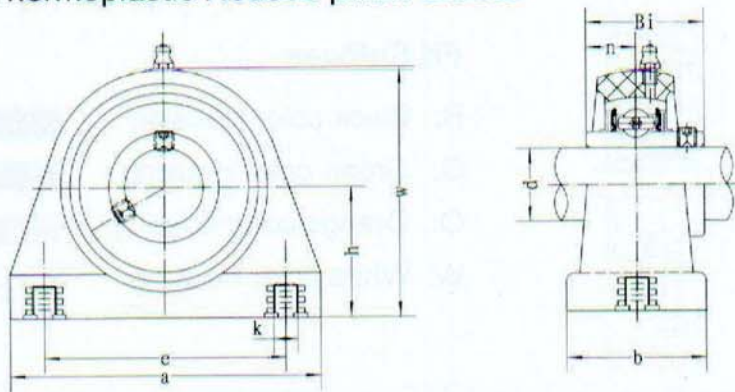


#### FK Suffixes

- B: Black color Housing
- G: Green color Housing
- O: Orange color housing
- W: White color housing

Unit No.	Shaft diamer		Dimensi ons(mm)										Weight (kg)	Max. Torque		Housing No.	Bear ing No.
	mm	inch	a	e	b	g	l	s	z	i	Bi	n		Bolt D	Nm		
UCFLPL204BO	20	3/4	130	90	70	11.4	26.5	11	33.7	15.4	31	12.7	0.24	M10	18	FLPL204	UC204BO
UCFLPL205BO	25	13/16, 7/8, 15/16, 1	131	99	69.5	13.5	29.1	11	36.7	17	34	14.3	0.30	M10	25	FLPL205	UC205BO
UCFLPL206BO	30	1-1/16, 1-1/8, 1-3/16, 1-1/4,	148	117	80	13.3	30.5	11	41.2	19	38.1	15.9	0.45	M10	30	FLPL206	UC206BO
UCFLPL207BO	35	1-1/4, 1-5/16, 1-3/8, 1-7/16,	164	130	90	16.1	32.5	13	43.4	18	42.9	17.5	0.66	M12	35	FLPL207	UC207BO
UCFLPL208BO	40	1-1/2, 1-9/16,	176	144	100	20	37.5	14	51.7	21.5	49.2	19	0.87	M12	40	FLPL208	UC208BO
UCFLPL209BO	45	1-5/8, 1-11/16, 1-2/4,	188.5	148.5	108	21	41	17	54.2	24	49.2	19	1.00	M16	45	FLPL209	UC209BO
UCFLPL210BO	50	1-13/16, 1-7/8, 1-15/16, 2	197	157	115	21	43	17	57.6	25	51.6	19	1.20	M16	50	FLPL210	UC210BO
UCFLPL211BO	55	2, 2-1/16, 2-1/8, 2-3/16,	224	184	130	18	43	19	63	25	55.6	22.2	1.42	M16	55	FLPL211	UC211BO
UCFLPL212BO	60	2-1/4, 2-5/16, 2-5/8, 2-7/16,	250	202	140	18	48	23	73.5	29	65.1	25.4	1.60	M16	60	FLPL212	UC212BO

### Thermoplastic Housed pillow Blocks



#### FK Suffixes

- B: Black color Housing
- G: Green color Housing
- O: Orange color housing
- W: White color housing

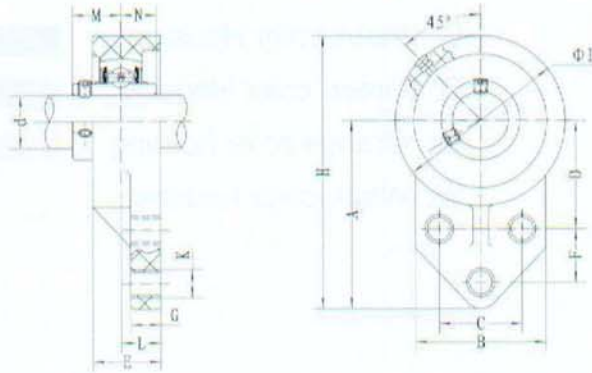
Unit No.	Shaft diamer		Dimensi ons(mm)								Weight (kg)	Max. Torque		Housing No.	Bear ing No.
	mm	inch	a	e	b	h	w	k	Bi	n		Bolt D	Nm		
UCTBL204BO	20	3/4	72.8	50.8	34.5	33.3	66	M8	31	12.7	0.35	M8	18	TBL204	UC204BO
UCTBL205BO	25	13/16, 7/8, 15/16, 1	76.2	50.8	39.5	36.5	73.5	M10	34.1	14.3	0.40	M10	25	TBL205	UC205BO
UCTBL206BO	30	1-1/16, 1-1/8, 1-3/16, 1-1/4,	101	76.2	42.5	42.9	84	M10	38.1	15.9	0.55	M10	30	TBL206	UC206BO
UCTBL207BO	35	1-1/4, 1-5/16, 1-3/8, 1-7/16,	110	82.6	47.5	47.6	95	M10	42.9	17.5	0.80	M10	35	TBL207	UC207BO
UCTBL208BO	40	1-1/2, 1-9/16,	120	88.9	48	49.2	100.5	M12	49.2	19	0.95	M12	45	TBL208	UC208BO
UCTBL209BO	45	1-5/8, 1-11/16, 1-2/4,	124	95.3	50	54	108.5	M12	49.2	19	1.10	M12	50	TBL209	UC209BO
UCTBL210BO	50	1-13/16, 1-7/8, 1-15/16, 2	135	101.6	54	57.2	115	M16	51.6	19	1.25	M16	55	TBL210	UC210BO
UCTBL210BO	55	2, 2-1/16, 2-1/8, 2-3/16,	140	104	66	63.5	125	M20	55.6	22.2	1.43	M20	60	TBL211	UC211BO
UCTBL212BO	60	2-1/4, 2-5/16, 2-5/8, 2-7/16,	150	114	68	69.9	138	M20	65.1	25.4	1.58	M20	65	TBL212	UC212BO





Thermoplastic units

Thermoplastic Housed Flange Units

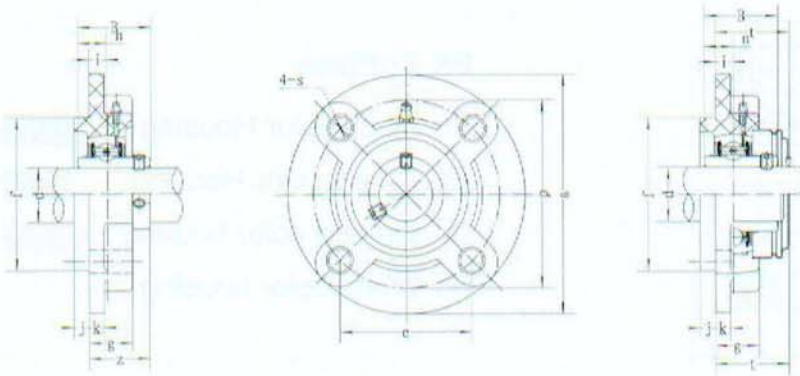


FK Suffixes

- B: Black color Housing
- G: Green color Housing
- O: Orange color housing
- W: White color housing

Unit No.	Shaft diamer		Dimensi ons(mm)											Weight (kg)	Max. Torque		Housing No.	Bear ing No.
	mm	inch	B	C	D	E	F	G	H	I	K	M	N		Bolt D	Nm		
UCFBPL204BO	20	3/4	62	38.1	42.9	33.7	22.2	11.4	108	63.5	10.7	19.8	12.7	0.25	M10	18	FBPL204	UC204BO
UCFBPL205BO	25	13/16, 7/8, 15/16, 1	63.5	41.3	46	41.2	28.6	11.4	120.6	70	10.7	19.8	14.3	0.30	M10	25	FBPL205	UC205BO
UCFBPL206BO	30	1-1/16, 1-1/8, 1-3/16, 1-1/4	76	47.6	52.4	41.5	31.8	13.3	138.5	83	10.7	22.2	15.9	0.46	M10	30	FBPL206	UC206BO
UCFBPL207BO	35	1-1/4, 1-5/16, 1-3/8, 1-7/16	89	50.8	60.3	47.1	31.8	16.1	157	95	13.1	25.4	17.5	0.66	M12	35	FBPL207	UC207BO
UCFBPL208BO	40	1-1/2, 1-9/16	78	50	60	36	41	16	164	100	13.1	30.2	19	0.78	M12	40	FBPL208	UC208BO
UCFBPL209BO	45	1-5/8, 1-11/16, 1-2/4	80	54	65	38	43	18	174	106	13.1	30.2	19	0.92	M12	45	FBPL209	UC209BO
UCFBPL210BO	50	1-13/16, 1-7/8, 1-15/16, 2	86	58	68	40	46	18	184	112	13.1	32.6	19	1.12	M12	50	FBPL210	UC210BO
UCFBPL211BO	55	2, 2-1/16, 2-1/8, 2-3/16	90	62	78	43	50	18	207	130	16	33.4	22.2	1.47	M14	55	FBPL211	UC211BO
UCFBPL212BO	60	2-1/4, 2-5/16, 2-5/8, 2-7/16	94	66	84	48	55	18	223	140	16	39.7	25.4	1.63	M14	60	FBPL212	UC212BO

Thermoplastic Housed Flange cartridge units



S (SM) -UCFC

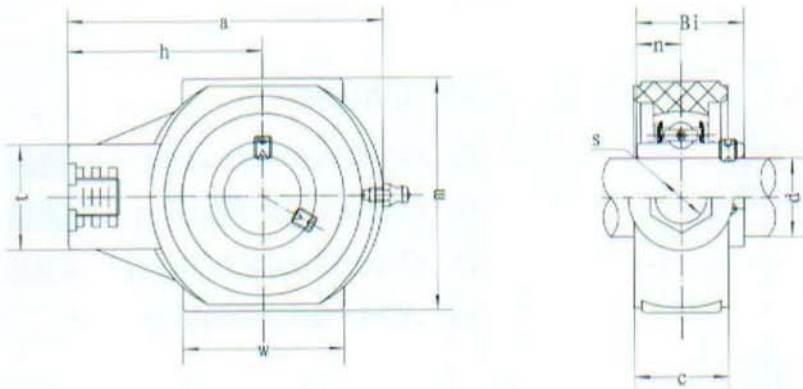
FK Suffixes

- B: Black color Housing
- G: Green color Housing
- O: Orange color housing
- W: White color housing

Unit No.	Shaft diamer		Dimensi ons(mm)													Weight (kg)	Max. Torque		Housing No.	Bear ing No.
	mm	inch	a	p	e	i	s	j	k	g	f	z	t	B	n		Bolt D	Nm		
UCFCPL204BO	20	3/4	100	78	55.1	10	12	6	7	20.5	62	28.3	32.5	31	12.7	0.59	M10	18	FCPL204	UC204BO
UCFCPL205BO	25	13/16, 7/8, 15/16, 1	115	90	63.6	10	12	6	7	21	70	29.8	34	34.1	14.3	0.71	M10	25	FCPL205	UC205BO
UCFCPL206BO	30	1-1/16, 1-1/8, 1-3/16, 1-1/4	125	100	70.7	10	12	8	9	23	80	32.2	36.5	38.1	15.9	0.94	M10	30	FCPL206	UC206BO
UCFCPL207BO	35	1-1/4, 1-5/16, 1-3/8, 1-7/16	135	110	77.8	11	14	8	9	26	90	36.4	41	42.9	17.5	1.17	M12	35	FCPL207	UC207BO
UCFCPL208BO	40	1-1/2, 1-9/16	145	120	84.8	11	14	10	9	26	100	41.2	45.5	49.2	19	1.42	M12	40	FCPL208	UC208BO
UCFCPL209BO	45	1-5/8, 1-11/16, 1-2/4	160	132	93.3	10	16	12	14	26	105	40.2	44.5	49.2	19	1.55	M14	45	FCPL209	UC209BO
UCFCPL210BO	50	1-13/16, 1-7/8, 1-15/16, 2	165	138	97.6	10	16	12	14	28	110	42.6	47.5	51.6	19	1.76	M14	50	FCPL210	UC210BO
UCFCPL211BO	55	2, 2-1/16, 2-1/8, 2-3/16	185	150	106.1	13	19	12	15	31	125	46.4	51	55.6	22.2	2.15	M16	55	FCPL211	UC211BO
UCFCPL212BO	60	2-1/4, 2-5/16, 2-5/8, 2-7/16	195	160	113.1	17	19	12	15	36	135	56.7	61.5	65.1	25.4	2.64	M16	60	FCPL212	UC212BO



**Thermoplastic Housed screw conveyor Hanger Units**

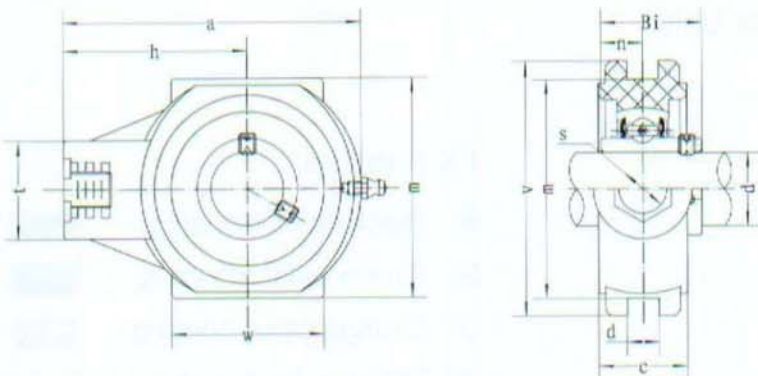


**FK Suffixes**

- B: Black color Housing
- G: Green color Housing
- O: Orange color housing
- W: White color housing

Unit No.	Shaft diameter		Dimensions(mm)											Weight (kg)	Housing No.	Bearing No.
	mm	inch	a	c	d	h	m	s	t	v	w	Bi	n			
UCTPL204B0	20	3/4	99	27.5	12	64	76	M16	36	88	47	31	12.7	0.35	TPL204	UC204B0
UCTPL205B0	25	13/16, 7/8, 15/16, 1	99	27.5	12	64	76	M16	36	88	47	34.1	14.3	0.40	TPL205	UC205B0
UCTPL206B0	30	1-1/16, 1-1/8, 1-3/16, 1-1/4	125	34.5	12	76	89	M16	40	102	63	38.1	15.9	0.55	TPL206	UC206B0
UCTPL207B0	35	1-1/4, 1-5/16, 1-3/8, 1-7/16	125	34.5	12	76	89	M16	40	102	63	42.9	17.5	0.80	TPL207	UC207B0
UCTPL208B0	40	1-1/2, 1-9/16	140	34.5	16	85	102	M16	40	114	80	49.2	19	0.95	TPL208	UC208B0
UCTPL209B0	45	1-5/8, 1-11/16, 1-3/4	149	40	16	90	102	M20	50	117	85	49.2	19	1.10	TPL209	UC209B0
UCTPL210B0	50	1-13/16, 1-17/8, 1-15/16, 2	149	40	16	90	102	M20	50	117	85	51.6	19	1.25	TPL210	UC210B0
UCTPL211B0	55	2, 2-1/16, 2-1/8, 2-3/16	171	38	22	106	130	M20	64	146	95	55.6	22.2	1.62	TPL211	UC211B0
UCTPL212B0	60	2-1/4, 2-5/16, 2-3/8, 2-7/16	194	42	22	119	130	M20	64	146	102	65.1	25.4	1.78	TPL212	UC212B0

**Thermoplastic Housed screw conveyor Hanger Units**



**FK Suffixes**

- B: Black color Housing
- G: Green color Housing
- O: Orange color housing
- W: White color housing

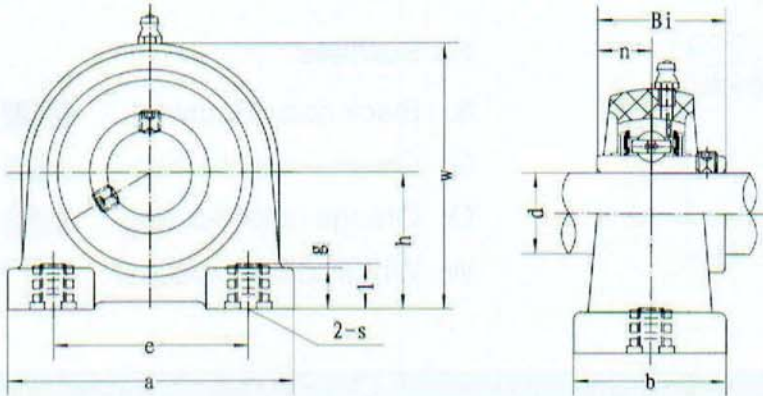
Unit No.	Shaft diameter		Dimensions(mm)											Weight (kg)	Housing No.	Bearing No.
	mm	inch	a	c	h	m	s	t	w	Bi	n					
UCHPL204B0	20	3/4	99	27.5	64.5	65	M16	36	47	31	12.7	0.35	HPL204	UC204B0		
UCHPL205B0	25	13/16, 7/8, 15/16, 1	99	27.5	64.5	74	M16	36	47	34.1	14.3	0.40	HPL205	UC205B0		
UCHPL206B0	30	1-1/16, 1-1/8, 1-3/16, 1-1/4	125	34.5	76	90	M16	40	63	38.1	15.9	0.55	HPL206	UC206B0		
UCHPL207B0	35	1-1/4, 1-5/16, 1-3/8, 1-7/16	125	34.5	76	90	M16	40	63	42.9	17.5	0.80	HPL207	UC207B0		
UCHPL208B0	40	1-1/2, 1-9/16	140	34.5	85	100	M16	40	80	49.2	19	0.90	HPL208	UC208B0		
UCHPL209B0	45	1-5/8, 1-11/16, 1-3/4	149	40	90	100	M20	50	85	49.2	19	1.10	HPL209	UC209B0		
UCHPL210B0	50	1-13/16, 1-17/8, 1-15/16, 2	149	40	90	100	M20	50	85	51.6	19	1.20	HPL210	UC210B0		
UCHPL211B0	55	2, 2-1/16, 2-1/8, 2-3/16	171	38	106	140	M20	64	95	55.6	22.2	1.40	HPL211	UC211B0		
UCHPL212B0	60	2-1/4, 2-5/16, 2-3/8, 2-7/16	194	42	119	140	M20	64	102	65.1	25.4	1.52	HPL212	UC212B0		





Thermoplastic units

Thermoplastic Housed Pillow Blocks

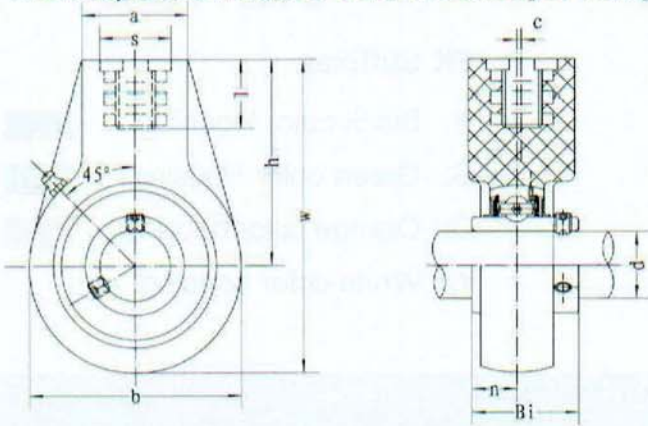


FK Suffixes

- B: Black color Housing
- G: Green color Housing
- O: Orange color housing
- W: White color housing

Unit No.	Shaft diameter		Dimensions(mm)										Weight (kg)	Max. Torque		Housing No.	Bearing No.
	mm	inch	h	a	e	b	s	g	l	w	Bi	n		Bolt D	Nm		
UCPAPL204BO	20	3/4	30.2	76	52	40	M8	15	11	62	31	12.7	0.55	M10	18	PAPL204	UC204BO
UCPAPL205BO	25	13/16, 7/8, 15/16, 1	36.5	84	56	38	M10	15	12	72	34.1	14.3	0.61	M10	25	PAPL205	UC205BO
UCPAPL206BO	30	1-1/16, 1-1/8, 1-3/16, 1-1/4	42.9	94	66	50	M10	18	12	84	38.1	15.9	0.89	M14	30	PAPL206	UC206BO
UCPAPL207BO	35	1-1/4, 1-5/16, 1-2/8, 1-7/16	47.6	110	80	55	M10	20	13	95	42.9	17.5	1.31	M14	35	PAPL207	UC207BO
UCPAPL208BO	40	1-1/2, 1-9/16	49.2	116	84	58	M12	20	13	100	49.2	19	1.56	M14	40	PAPL208	UC208BO
UCPAPL209BO	45	1-5/8, 1-11/16, 1-3/4	54.2	120	90	60	M12	25	13	108	49.2	19	1.70	M14	45	PAPL209	UC209BO
UCPAPL210BO	50	1-13/16, 1-7/8, 1-15/16, 2	57.2	130	94	64	M16	25	14	116	51.6	19	1.93	M16	50	PAPL210	UC210BO
UCPAPL211BO	55	2, 2-1/16, 2-1/8, 2-3/16	63.5	140	104	66	M16	25	14	125	55.6	22.2	2.33	M16	55	PAPL211	UC211BO
UCPAPL212BO	60	2-1/4, 2-5/16, 2-3/8, 2-7/16	69.9	150	114	68	M16	25	15	138	65.1	25.4	0.55	M16	60	PAPL212	UC212BO

Thermoplastic Housed Screw Conveyor Hanger Units



FK Suffixes

- B: Black color Housing
- G: Green color Housing
- O: Orange color housing
- W: White color housing

Unit No.	Shaft diameter		Dimensions(mm)										Weight (kg)	Max. Torque		Housing No.	Bearing No.
	mm	inch	h	w	b	c	a	s	l	Bi	n	Bolt D		Nm			
UCHAPL204BO	20	3/4	64	96	64	0	40	M16	19	31	12.7	0.48	M8	18	HAPL204	UC204BO	
UCHAPL205BO	25	13/16, 7/8, 15/16, 1	64	103	78	0	40	M20	19	34.1	14.3	0.57	M10	25	HAPL205	UC205BO	
UCHAPL206BO	30	1-1/16, 1-1/8, 1-3/16, 1-1/4	64	102	78	0	40	M20	19	38.1	15.9	0.80	M10	30	HAPL206	UC206BO	
UCHAPL207BO	35	1-1/4, 1-5/16, 1-2/8, 1-7/16	70	116	92	0	40	M20	19	42.9	17.5	1.10	M10	35	HAPL207	UC207BO	
UCHAPL208BO	40	1-1/2, 1-9/16	73	121	96	2	40	M20	19	49.2	19	1.35	M12	45	HAPL208	UC208BO	
UCHAPL209BO	45	1-5/8, 1-11/16, 1-3/4	82	136	108	5	48	M20	21	49.2	19	1.46	M12	50	HAPL209	UC209BO	
UCHAPL210BO	50	1-13/16, 1-7/8, 1-15/16, 2	83	142	118	5	48	M24	21	51.6	19	1.67	M16	55	HAPL210	UC210BO	
UCHAPL211BO	55	2, 2-1/16, 2-1/8, 2-3/16	87	150	126	7	60	M30	25	55.6	22.2	2.07	M20	60	HAPL211	UC211BO	
UCHAPL212BO	60	2-1/4, 2-5/16, 2-3/8, 2-7/16	102	173	142	9	60	M30	28	65.1	25.4	0.63	M20	65	HAPL212	UC212BO	