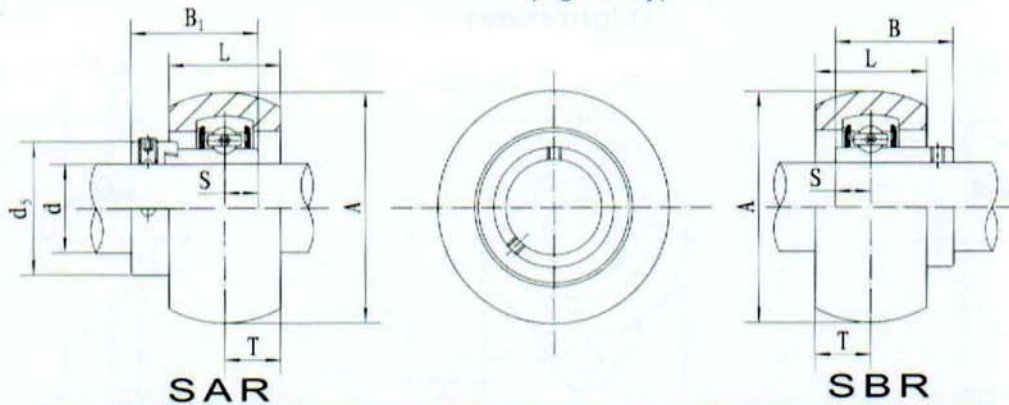




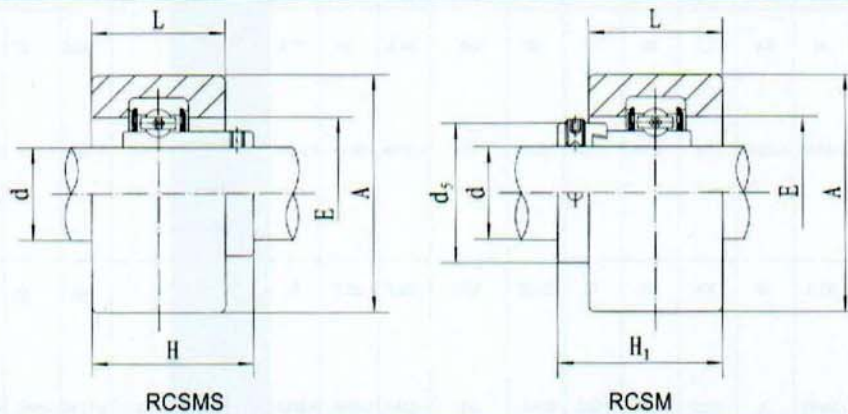
SAR2
(SA2-Fitted)

Rubber Mounted Cartridge Units
(Light-duty)

SBR2
(SB2-Fitted)



Unit NO.	Dimensions ^{mm} / _{in.}				SAR					SBR				Rubber Ring NO.
	d	A	L	T	B ₁	S	d ₅	Bearing NO.	Weight (Kg)	B	S	Bearing NO.	Weight (Kg)	
SAR SBR 201-8	1/2	1-7/8	11/16	11/32	1.1260	0.2559	1-1/8	SA201-8	0.16	0.8661	0.2362	SB201-8	0.11	R-4
202-10	5/8	47.6	17.4	8.7	28.6	6.5	28.6	SA202-10		22	6	SB202-10		
SAR SBR 204-12	3/4	2-1/16	11/16	11/32	1.2205	0.2953	1-5/16	SA204-12	0.17	0.9843	0.2756	SB204-12	0.16	R-5
		52.4	17.4	8.7	31	7.5	33.3			25	7			
SAR SBR 205-14	7/8	2-29/64	25/32	13/32	1.2205	0.2953	1-1/2	SA205-14	0.22	1.0630	0.2953	SB205-14	0.19	R-6
205-15	15/16						SA205-15	27		7.5	SB205-15			
205-16	1	62.4	19.8	10.3	31	7.5	38.1	SA205-16				SB205-16		
SAR SBR 206-17	1-1/16	2-27/32	13/16	13/32	1.4055	0.3543	1-3/4	SA206-17	0.36	1.1811	0.3150	SB206-17	0.44	R-7
206-18	1-1/8						SA206-18				SB206-18			
206-19	1-3/16	72.4	20.6	10.3	35.7	9	44.5	SA206-19		30	8	SB206-19		
206-20	1-1/4						SA206-20				SB206-20			

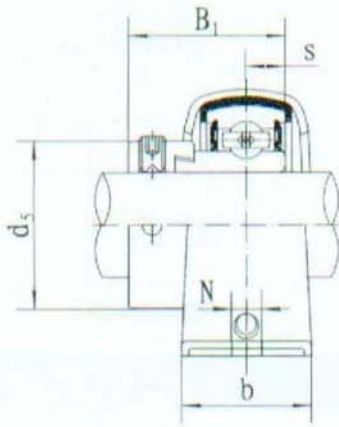


Unit No.		Dimensions ^{mm} / _{inch}							Bearing NO.		Rubber Ring NO.	Weight Kg	
Locking collar Type	Set Screw Type	d	A	L	E	H ₁	H	d ₅	RCSM	RCSMS		RCSM	RCSMS
RCSM201-8	RCSMS201-8	1/2	2-17/32	1	1-3/8	1-3/8	1-9/64	1-3/8	CSA201-8	CSB201-8	RC-3	0.2	0.16
RCSM202-10	RCSMS202-10	5/8	64.3	25.4	34.9	34.9	29	28.6	CSA202-10	CSB202-10			
RCSM204-12	RCSMS204-12	3/4	2-17/32	1	1-9/16	1-27/64	1-7/32	1-5/16	CSA204-12	CSB204-12	RC-4	0.24	0.22
RCSM205-14	RCSMS205-14	7/8	2-17/32	1	1-25/32	1-27/61	1-9/32	1-1/2	CSA205-14	CSB205-14	RC-5	0.26	0.24
RCSM205-15	RCSMS205-15	15/16							CSA205-15	CSB205-15			
RCSM205-16	RCSMS205-16	1	64.3	25.4	45.2	36.1	32.5	38.1	CSA205-16	CSB205-16			

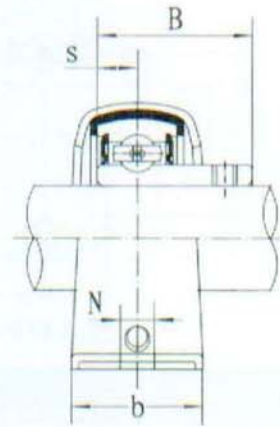
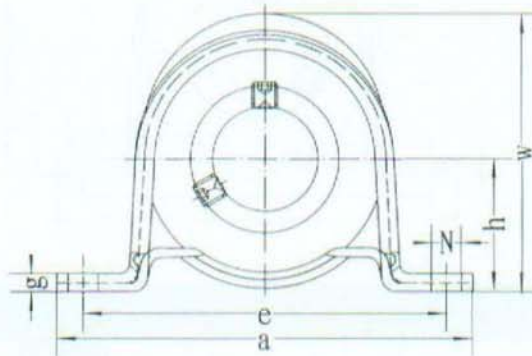
SAPR2
(SA2-Fitted)

Rubber Mounted Cartridge Units
(Light-duty)

SBPR2
(SB2-Fitted)



SAPR



SBPR

Unit NO.	Dimensions <small>mm in</small>							SAPR					SBPR			Bolt Used <small>mm in</small>	Housing NO.	Rubber Ring NO.	Weight (Kg)
	d	h	a	e	b	N	g	w	B ₁	s	d _s	Bearing NO.	B	s	Bearing NO.				
SAPR SBPR 201-8 202-10	1/2 5/8	1 25.4	3-55/64 98	2-63/64 76	1-17/64 32	3/8 9.5	1/8 3.2	1-63/64 50.5	1.1260 28.6	0.256 6.5	1-1/8 38.6	SA201-8 202-10	0.8661 22	0.236 6	SB201-8 202-10	5/16 M8	PP204	R-4	0.17
SAPR SBPR 204-12	3/4 28.6	1-1/8 108	4-1/4 108	3-25/64 86	1-17/64 32	29/64 11.5	5/32 4	2-15/64 56.6	1.2205 31	0.295 7.5	1-5/16 33.3	SA204-12	0.9843 25	0.275 7	SB204-12	3/8 M10	PP205	R-5	0.24
SAPR SBPR 205-14 205-15 205-16	7/8 15/16 1	1-5/16 33.3	4-39/64 117	3-47/64 95	1-1/2 38	29/64 11.5	5/32 4	2-39/64 66.3	1.2205 31	0.295 7.5	1-1/2 38.1	SA205-14 205-15 205-16	1.0630 27	0.295 7.5	SB205-14 206-15 206-16	3/8 M10	PP206	R-6	0.35
SAPR SBPR 206-18 206-19 206-20	1-1/8 1-3/16 1-1/4	1-9/16 39.7	5-5/64 129	4-11/64 106	1-21/32 42	29/64 11.5	3/16 4.6	3-5/64 78	1.4055 35.7	0.354 9	1-3/4 44.5	SA206-18 206-19 206-20	1.1811 30	0.315 8	SB206-18 206-19 206-20	3/8 M10	PP207	R-7	0.48

Note: "Snap-Together" housings available upon request-add "ST" suffix.