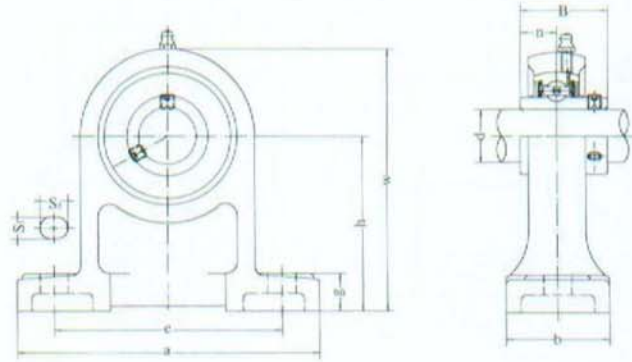
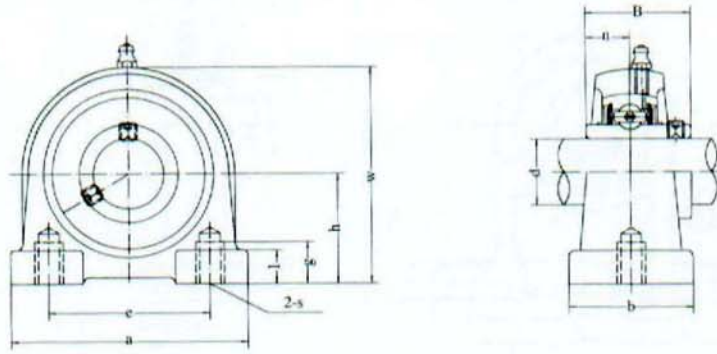


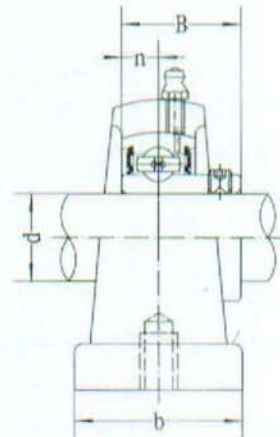
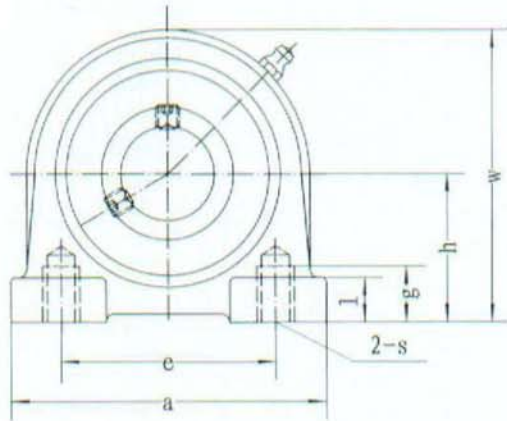
Pillow Blocks
with setscrews



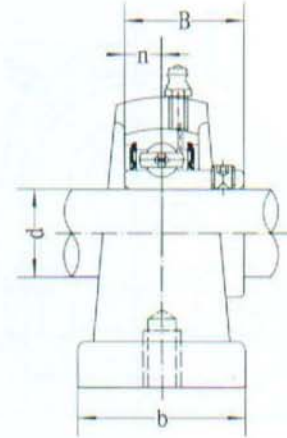
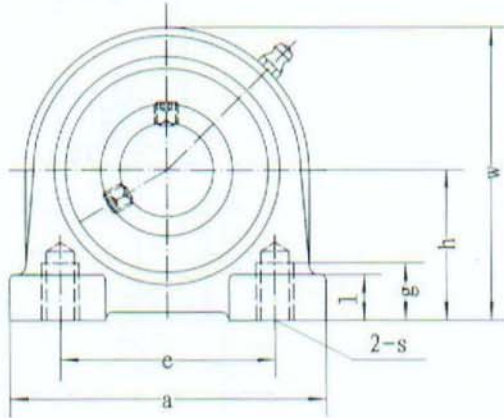
Unit No.	Dimensions <small>mm</small> <small>in.</small>											Bolt Size <small>mm</small> <small>inch</small>	Bearing No.	Housy No.	Weigh (kg)
	d	h	a	e	b	s ₁	s ₂	g	w	B	n				
UCPH201	12	70	127	95	40	13	19	15	101	31	12.7	M10	UC201	PH204	0.81
UCPH201-8	1/2												UC201-8		0.80
UCPH202	15												UC202		0.80
UCPH202-9	9/16												UC202-9		0.80
UCPH202-10	5/8	2-3/4	5	3-3/4	1-9/16	1/2	3/4	19/32	3-63/64	1.2205	0.500	3/8	UC202-10		0.80
UCPH203	17												UC203		0.79
UCPH203-11	11/16												UC203-11		0.78
UCPH204	20												UC204		0.77
UCPH204-12	3/4												UC204-12	0.77	
UCPH205	25	80	140	105	50	13	19	16	114	34.1	14.3	M10	UC205	PH205	1.01
UCPH205-13	13/16												UC205-13		1.05
UCPH205-14	7/8	3-5/32	5-1/2	4-1/8	1-31/32	1/2	3/4	5/8	4-31/64	1.3425	0.563	3/8	UC205-14		1.04
UCPH205-15	15/16												UC205-15		1.02
UCPH205-16	1												UC205-16		1.01
UCPH206	30	90	161	121	50	17	21	17	130	38.1	15.9	M14	UC206	PH206	1.47
UCPH206-17	1-1/16												UC206-17		1.50
UCPH206-18	1-1/8	3-35/64	6-11/32	4-3/4	1-31/32	43/64	53/64	43/64	5-1/8	1.5000	0.626	1/2	UC206-18		1.49
UCPH206-19	1-3/16												UC206-19		1.47
UCPH206-20	1-1/4												UC206-20		1.46
UCPH207	35	95	166	127	60	17	21	18	140	42.9	17.5	M14	UC207	PH207	1.91
UCPH207-20	1-1/4												UC207-20		1.97
UCPH207-21	1-5/16	3-47/64	6-17/32	5	2-23/64	43/64	53/64	45/64	5-33/64	1.6890	0.688	1/2	UC207-21		1.94
UCPH207-22	1-3/8												UC207-22		1.91
UCPH207-23	1-7/16												UC207-23		1.88
UCPH208	40	100	178	137	70	17	21	19	150	49.2	19	M14	UC208	PH208	2.52
UCPH208-24	1-1/2	3-15/16	7-1/8	5-13/32	2-3/4	43/64	53/64	3/4	5-29/32	1.9370	0.748	1/2	UC208-24		2.56
UCPH208-25	1-9/16												UC208-25		2.53
UCPH209	45	105	189	146	70	17	21	20	158	49.2	19	M14	UC209	PH209	2.72
UCPH209-26	1-5/8												UC209-26		2.82
UCPH209-27	1-11/16	4-9/64	7-7/16	5-3/4	2-3/4	43/64	53/64	25/32	6-7/32	1.9370	0.748	1/2	UC209-27		2.78
UCPH209-28	1-3/4												UC209-28		2.74
UCPH210	50	110	205	159	70	20	23	21	165	51.6	19	M16	UC210	PH210	3.10
UCPH210-29	1-13/16												UC210-29		3.22
UCPH210-30	1-7/8	4-21/64	8-5/64	6-1/4	2-3/4	25/32	29/32	53/64	6-1/2	2.0315	0.748	5/8	UC210-30		3.17
UCPH210-31	1-15/16												UC210-31		3.12
UCPH210-32	2												UC210-32		3.08
UCPH211	55	120	219	171	75	20	23	22	181	55.6	22.2	M16	UC211	PH211	5.51
UCPH211-32	2												UC211-32		5.66
UCPH211-33	2-1/16	4-23/32	8-5/8	6-47/64	2-61/64	25/32	29/32	55/64	7-1/8	2.1890	0.874	5/8	UC211-33		5.6
UCPH211-34	2-1/8												UC211-34		5.55
UCPH211-35	2-3/16												UC211-35		5.49
UCPH212	60	130	241	184	85	20	23	25	197	65.1	25.4	M16	UC212	PH212	6.34
UCPH212-36	2-1/4												UC212-36		6.47
UCPH212-37	2-5/16	5-1/8	9-1/2	7-1/4	3-11/32	25/32	29/32	63/64	7-3/4	2.5630	1.000	5/8	UC212-37		6.39
UCPH212-38	2-3/8												UC212-38		6.32
UCPH212-39	2-7/16												UC212-39		6.25
UCPH213	65	140	265	203	95	25	28	27	212	65.1	25.4	M20	UC213	PH213	7.45
UCPH213-40	2-1/2	5-33/64	10-7/16	8	3-3/4	63/64	1-3/32	1-1/16	8-11/32	2.5830	1.000	3/4	UC213-40		7.54
UCPH213-41	2-9/16												UC213-41		7.45
UCPH214	70	150	266	210	105	25	28	28	225	74.6	30.2	M20	UC214	PH214	8.25
UCPH214-42	2-5/8												UC214-42		8.46
UCPH214-43	2-11/16	5-29/32	10-15/32	8-17/64	5-9/64	63/64	1-3/32	1-7/64	8-55/64	2.9370	1.189	3/4	UC214-43		8.36
UCPH214-44	2-3/4												UC214-44		8.26
UCPH215	75	160	275	217	115	25	28	29	238	77.8	33.3	M20	UC215	PH215	9.61
UCPH215-45	2-13/16												UC215-45		9.85
UCPH215-46	2-7/8	5-19/64	10-53/64	8-35/64	4-17/32	63/64	1-3/32	1-9/64	9-3/8	3.0630	1.311	3/4	UC215-46		9.75
UCPH215-47	2-15/16												UC215-47		9.64
UCPH215-48	3												UC215-48		9.25
UCPH216	80	170	292	232	125	25	28	30	253	82.6	33.3	M20	UC216	PH216	10.8
UCPH216-49	3-1/16												UC216-49		10.98
UCPH216-50	3-1/8	6-11/16	11-1/2	9-1/8	4-59/64	63/64	1-3/32	1-3/16	9-81/64	3.2520	1.311	3/4	UC216-50		10.85
UCPH216-51	3-3/16												UC216-51		10.72



Unit No.	Dimensions ^{mm} _{in.}											Bolt Size _{mm} inch	Bearing No.	Housing No.	Weight (kg)		
	d	h	a	e	b	s	g	l	w	B	n						
UCPA201	12	30.2	76	52	40		15	11	62	31	12.7	M10	UC201	PA204	0.6		
UCPA201-8	1/2												UC201-8		0.59		
UCPA202	15												UC202		0.59		
UCPA202-9	9/16												UC202-9		0.59		
UCPA202-10	5/8	1-3/16	3	2-3/64	1-9/16	M10	19/32	7/16	2-7/16	1.2205	0.500		UC202-10		0.59		
UCPA203	17												UC203		0.58		
UCPA203-11	11/16												UC203-11		0.57		
UCPA204	20												UC204		0.56		
UCPA204-12	3/4												UC204-12		0.56		
UCPA205	25	36.5	84	56	38		15	12	72	34.1	14.3		M10		UC205	PA205	0.83
UCPA205-13	13/16														UC205-13		0.87
UCPA205-14	7/8	1-7/16	3-5/16	2-13/64	1-1/2	M10	19/32	15/32	2-53/64	1.3425	0.563				UC205-14		0.86
UCPA205-15	15/16											UC205-15		0.84			
UCPA205-16	1											UC205-16		0.83			
UCPA206	30	42.9	94	66	50		18	12	84	38.1	15.9	M14	UC206	PA206	1.12		
UCPA206-17	1-1/16												UC206-17		1.15		
UCPA206-18	1-1/8	1-11/16	3-45/64	2-19/32	1-31/32	M14	45/64	15/32	3-5/16	1.5000	0.626		UC206-18		1.14		
UCPA206-19	1-3/16												UC206-19		1.12		
UCPA206-20	1-1/4												UC206-20		1.11		
UCPA207	35	47.6	110	80	55		20	13	95	42.9	17.5	M14	UC207	PA207	1.48		
UCPA207-20	1-1/4												UC207-20		1.54		
UCPA207-21	1-5/16	1-7/8	4-21/64	3-5/32	2-11/64	M14	25/32	33/64	3-47/64	1.6890	0.689		UC207-21		1.51		
UCPA207-22	1-3/8												UC207-22		1.48		
UCPA207-23	1-7/16												UC207-23		1.45		
UCPA208	40	49.2	116	84	58		20	13	100	49.2	19	M14	UC208	PA208	1.89		
UCPA208-24	1-1/2	1-15/16	4-9/16	3-5/16	2-9/32	M14	25/32	33/64	3-15/16	1.9370	0.748		UC208-24		1.93		
UCPA208-25	1-9/16												UC208-25		1.90		
UCPA209	45	54.2	120	90	60		25	13	108	49.2	19	M14	UC209	PA209	1.98		
UCPA209-26	1-5/8												UC209-26		2.08		
UCPA209-27	1-11/16	2-9/64	4-23/32	3-35/64	2-23/64	M14	63/64	33/64	4-1/4	1.9370	0.748		UC209-27		2.04		
UCPA209-28	1-3/4												UC209-28		2.00		
UCPA210	50	57.2	130	94	64		25	14	116	51.6	19	M16	UC210	PA210	2.16		
UCPA210-29	1-13/16												UC210-29		2.28		
UCPA210-30	1-7/8	2-1/4	5-1/8	3-45/64	2-33/64	M16	63/64	35/64	4-9/16	2.0315	0.748		UC210-30		2.23		
UCPA210-31	1-15/16												UC210-31		2.18		
UCPA210-32	2												UC210-32		2.14		
UCPA211	55	63.5	140	104	66		25	14	125	55.6	22.2	M16	UC211	PA211	3.26		
UCPA211-32	2												UC211-32		3.41		
UCPA211-33	2-1/16	2-1/2	5-33/64	4-3/32	2-19/32	M16	63/64	35/64	4-59/64	2.1890	0.874		UC211-33		3.35		
UCPA211-34	2-1/8												UC211-34		3.30		
UCPA211-35	2-3/16												UC211-35		3.24		
UCPA212	60	69.9	150	114	68		25	15	138	65.1	25.4	M16	UC212	PA212	4.19		
UCPA212-36	2-1/4												UC212-36		4.32		
UCPA212-37	2-5/16	2-3/4	5-29/32	4-31/64	2-43/64	M16	63/64	19/32	5-7/16	2.5630	1.000		UC212-37		4.24		
UCPA212-38	2-3/8												UC212-38		4.17		
UCPA212-39	2-7/16												UC212-39		4.10		
UCPA213	65	76.2	160	124	70		25	15	150	65.1	25.4		M16		UC213	PA213	5.08
UCPA213-40	2-1/2	3	6-19/64	4-7/8	2-3/4	M16	63/64	19/32	5-29/32	2.5630	1.000	UC213-40		5.17			
UCPA213-41	2-9/16											UC213-41		5.08			

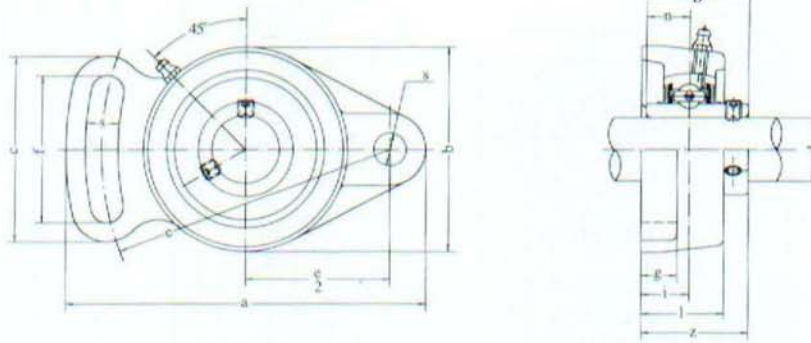


Unit No.	Dimensions <small>mm in.</small>											Bolt Size <small>mm inch</small>	Bearing No.	Housing No.	Weight (kg)		
	d	h	a	e	b	s	l	g	w	B	n						
UCPG201	12	33.3	70	49	38		14	14	64	31	12.7	M8	UC201	PG204	0.63		
UCPG201-8	1/2												UC201-8		0.62		
UCPG202	15					M8							UC202		0.62		
UCPG202-9	9/16												UC202-9		0.62		
UCPG202-10	5/8	15/16	2-3/4	1-59/64	1-1/2		35/64	35/64	2-33/64	1.2205	0.500		UC202-10		0.62		
UCPG203	17												UC203		0.61		
UCPG203-11	11/16												UC203-11		0.60		
UCPG204	20												UC204		0.59		
UCPG204-12	7/8												UC204-12		0.59		
UCPG205	25	36.5	75	50	38		15	15	70	34.1	14.3		M10		UC205	PG205	0.70
UCPG205-13	13/16														UC205-13		0.74
UCPG205-14	7/8														UC205-14		0.73
UCPG205-15	15/16	1-7/16	2-6/64	1-31/32	1-1/2	M10	19/32	19/32	2-3/4	1.3425	0.563	UC205-15		0.71			
UCPG205-16	1											UC205-16		0.70			
UCPG206	30	42.9	85	60	48		17	16	83	38.1	15.9	M10	UC206	PG206	1.09		
UCPG206-17	1-1/16												UC206-17		1.10		
UCPG206-18	1-1/8	1-11/16	3-11/32	2-23/64	1-64/57	M10	43/64	5/8	3-17/64	1.5000	0.626		UC206-18		1.11		
UCPG206-19	1-3/16												UC206-19		1.09		
UCPG206-20	1-1/4												UC206-20		1.08		
UCPG207	35	47.6	100	68	48		20	19	93	42.9	17.5	M12	UC207	PG207	1.47		
UCPG207-20	1-1/4												UC207-20		1.53		
UCPG207-21	1-16/5	1-7/8	3-15/16	2-43/64	1-57/64	M12	25/32	3/4	3-21/32	1.6880	0.689		UC207-21		1.50		
UCPG207-22	1-3/8												UC207-22		1.47		
UCPG207-23	1-7/16												UC207-23		1.44		
UCPG208	40	49.2	110	78	54		20	19	98	49.2	19	M12	UC208	PG208	1.81		
UCPG208-24	1-1/2												UC208-24		1.85		
UCPG208-25	1-9/16	1-15/16	4-21/64	3-5/64	2-1/8	M12	25/32	3/4	3-55/64	1.9370	0.748		UC208-25		1.82		
UCPG209	45	53.9	120	85	54		20	19	106	49.2	19	M12	UC209	PG209	2.13		
UCPG209-26	1-5/8												UC209-26		2.23		
UCPG209-27	1-11/16	2-1/8	4-23/32	3-11/32	2-1/8	M12	25/32	3/4	4-11/64	1.9370	0.748		UC209-27		2.19		
UCPG209-28	1-3/4												UC209-28		2.15		
UCPG210	50	57.2	135	95	60		21	22	114	51.6	19	M16	UC210	PG210	2.84		
UCPG210-29	1-13/16												UC210-29		2.96		
UCPG210-30	1-7/8												UC210-30		2.91		
UCPG210-31	1-15/16	2-1/4	5-5/16	3-47/64	2-23/64	M16	53/64	55/64	4-31/64	2.0315	0.748		UC210-31		2.86		
UCPG210-32	2												UC210-32		2.82		

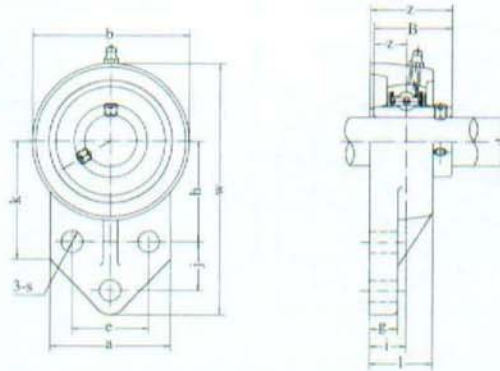


Unit No.	Dimensions <small>mm in.</small>											Bolt Size <small>mm inch</small>	Bearing No.	Housing No.	Weight (kg)
	d	h	a	e	b	s	g	l	w	B	n				
UCSPW201	12	30.2	63	47	30		10	11	57	27.4	11.5	M8	UCS201 UCS201-8 UCS202 UCS202-9 UCS202-10 UCS203 UCS203-11	PW203	0.41
UCSPW201-8	1/2														0.40
UCSPW202	15														0.40
UCSPW202-9	9/16														0.40
UCSPW202-10	5/8	1-3/16	2-31/64	1-27/32	1-3/16		25/64	7/16	2-1/4	1.0787	0.4528				0.40
UCSPW203	17														0.39
UCSPW203-11	11/16											0.39			
UCPW204	20	33.3	65	50.8	32		15	14.5	64	31	12.7	M8	UC204 UC204-12	PW204	0.46
UCPW204-12	3/4	1-5/16	2-9/16	2	1-17/64		19/32	37/64	2-33/64	1.2205	0.500				0.46
UCPW205	25	36.5	70	50.8	36		15	13	70	34.1	14.3	M10	UC205 UC205-13 UC205-14 UC205-15 UC205-16	PW205	0.67
UCPW205-13	13/16														0.71
UCPW205-14	7/8	1-7/16	2-3/4	2	1-27/64		9/32	33/64	2-3/4	1.3425	0.563				0.70
UCPW205-15	15/16														0.68
UCPW205-16	1														0.67
UCPW206	30	42.9	98	76.2	40		18	16	82	38.1	15.9				M10
UCPW206-17	1-1/16											1.15			
UCPW206-18	1-1/8	1-11/16	3-55/64	3	1-37/64		45/64	5/8	3-15/64	1.5000	0.626	1.14			
UCPW206-19	1-3/16											1.12			
UCPW206-20	1-1/4											1.11			
UCPW207	35	47.6	103	82.6	45		20	19	93	42.9	17.5	M10	UC207 UC207-20 UC207-21 UC207-22 UC207-23	PW207	
UCPW207-20	1-1/4														1.44
UCPW207-21	1-3/8	1-7/8	4-1/16	3-1/4	1-49/64		25/32	3/4	3-21/32	1.6890	0.689				1.41
UCPW207-22	1-3/8														1.38
UCPW207-23	1-7/16														1.35
UCPW208	40	49.2	116	88.9	48		20	19	99	49.2	19				M12
UCPW208-24	1-1/2	1-15/16	4-9/16	3-1/2	1-57/64		25/32	3/4	3-57/64	1.9370	0.748	1.90			
UCPW208-25	1-9/16											1.87			
UCPW209	45	53.9	120	95.3	48		25	19	107	49.2	19	M12	UC209 UC209-26 UC209-27 UC209-28	PW209	1.92
UCPW209-26	1-5/8	2-1/8	4-23/32	3-3/4	1-57/64		63/64	3/4	4-7/32	1.9370	0.748				2.02
UCPW209-27	1-11/16														1.98
UCPW209-28	1-3/4														1.94
UCPW210	50	57.2	135	101.6	54		25	22	115	51.6	19	M16	UC210 UC210-29 UC210-30 UC210-31 UC210-32	PW210	2.24
UCPW210-29	1-13/16														2.36
UCPW210-30	1-7/8	2-1/4	5-5/16	4	2-1/8		63/64	55/64	4-17/32	2.0315	0.748				2.31
UCPW210-31	1-15/16														2.26
UCPW210-32	2														2.22

Flange Units



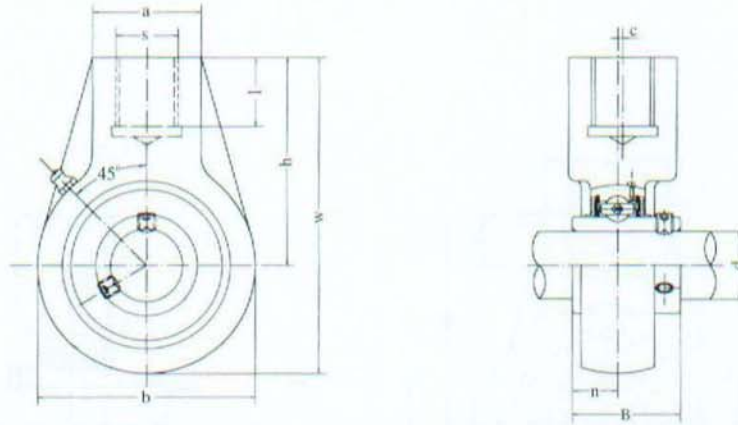
Unit No.	Dimensions ^{mm} / _{in}													Bolt Size mm inch	Bearing No.	Housing No.	Weight (kg)
	d	a	e	i	g	l	S	b	z	f	c	B	n				
UCFA201	12	98	78	15	12	25.5	10	60	33.3	40	50	31	12.7	M8	UC201	FA204	0.50
UCFA201-8	1/2														UC201-8		0.49
UCFA202	15														UC202		0.49
UCFA202-9	9/16														UC202-9		0.49
UCFA202-10	5/8	3-55/64	3-5/64	19/32	15/32	1	25/64	2-3/8	1-5/16	1-37/64	1-31/32	1.2205	0.500	5/16	UC202-10		0.49
UCFA203	17														UC203		0.48
UCFA203-11	11/16														UC203-11		0.47
UCFA204	20														UC204		0.46
UCFA204-12	3/4														UC204-12		0.46
UCFA205	25	124	98	16	14	27	13	70	35.8	51	65	34.1	14.3	M10	UC205		FA205
UCFA205-13	13/16														UC205-13	0.70	
UCFA205-14	7/8	4-7/8	3-55/64	5/8	35/64	1-1/16	33/64	2-3/4	1-13/32	2-1/64	2-9/16	1.3425	0.563	3/8	UC205-14	0.69	
UCFA205-15	15/16														UC205-15	0.67	
UCFA205-16	1														UC205-16	0.66	
UCFA206	30	141	115	18	14	31	13	83	40.2	58	72	38.1	15.9	M10	UC206	FA206	0.93
UCFA206-17	1-1/16														UC206-17		0.96
UCFA206-18	1-1/8	5-35/64	4-17/32	45/64	35/64	1-7/32	33/64	3-17/64	1-19/32	2-9/32	2-27/32	1.5000	0.626	3/8	UC206-18		0.95
UCFA206-19	1-3/16														UC206-19		0.93
UCFA206-20	1-1/4														UC206-20		0.92
UCFA207	35	155	128	19	16	34	15	96	44.4	66	82	42.9	17.5	M12	UC207	FA207	1.46
UCFA207-20	1-1/4														UC207-20		1.52
UCFA207-21	1-5/16	6-7/64	5-3/64	3/4	5/8	1-11/32	19/32	3-25/32	1-3/4	2-19/32	3-15/64	1.6890	0.689	7/16	UC207-21		1.49
UCFA207-22	1-3/8														UC207-22		1.46
UCFA207-23	1-7/16														UC207-23		1.43
UCFA208	40	171	142	21	16	38	15	105	51.2	71	87	49.2	19	M12	UC208	FA208	1.76
UCFA208-24	1-1/2	47/64	5-19/32	53/64	5/8	1-1/2	19/32	4-9/64	2-1/64	2-51/64	3-27/64	1.9370	0.748	7/16	UC208-24		1.82
UCFA208-25	1-9/16														UC208-25		1.79
UCFA209	45	179	146	22	18	40	17	111	52.2	72	90	49.2	19	M14	UC209	FA209	2.03
UCFA209-26	1-5/8														UC209-26		2.13
UCFA209-27	1-11/16	7-3/64	5-3/4	55/64	45/64	1-37/64	43/64	4-3/8	2-1/16	2-53/64	3-35/64	1.9370	0.748	1/2	UC209-27		2.09
UCFA209-28	1-3/4														UC209-28		2.05
UCFA210	50	189	155	22	18	40	17	116	54.6	76	94	51.6	19	M14	UC210	FA210	2.23
UCFA210-29	1-13/16														UC210-29		2.35
UCFA210-30	1-7/8	7-7/16	6-7/64	55/64	45/64	1-37/64	43/64	4-9/16	2-5/32	3	3-45/64	2.0315	0.748	1/2	UC210-30		2.30
UCFA210-31	1-15/16														UC210-31		2.25
UCFA210-32	2														UC210-32		2.21
UCFA211	55	216	182	25	20	44	17	133	58.4	86	104	55.6	22.2	M14	UC211	FA211	3.41
UCFA211-32	2														UC211-32		3.56
UCFA211-33	2-1/16														UC211-33		3.5
UCFA211-34	2-1/8	8-1/2	7-11/64	63/64	25/32	1-47/64	43/64	5-51/64	2-5/16	3-25/64	4-3/32	2.1890	0.874	1/2	UC211-34		3.45
UCFA211-35	2-3/16														UC211-35		3.39
UCFA212	60	240	202	29	20	48	19	140	68.7	100	118	65.1	25.4	M16	UC212	FA212	4.14
UCFA212-36	2-1/4														UC212-36		4.27
UCFA212-37	2-5/16	9-29/64	7-61/64	1-9/64	25/32	1-7/8	3/4	5-1/2	2-23/32	3-15/16	4-41/64	2.5630	1.000	5/8	UC212-37		4.19
UCFA212-38	2-3/8														UC212-38		4.12
UCFA212-39	2-7/16														UC212-39		4.05
UCFA213	65	250	210	30	20	50	19	155	69.7	102	122	65.1	25.4	M16	UC213	FA213	5.35
UCFA213-40	2-1/2	9-27/32	8-17/64	1-3/16	25/32	1-31/32	3/4	6-3/32	2-3/4	4-1/64	4-51/64	2.5630	1.000	5/8	UC213-40		5.44
UCFA213-41	2-9/16														UC213-41		5.35



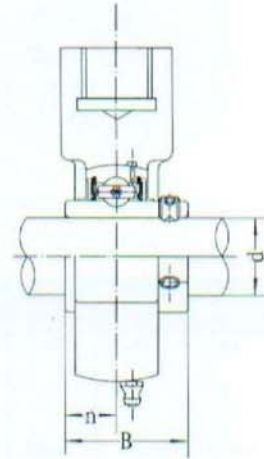
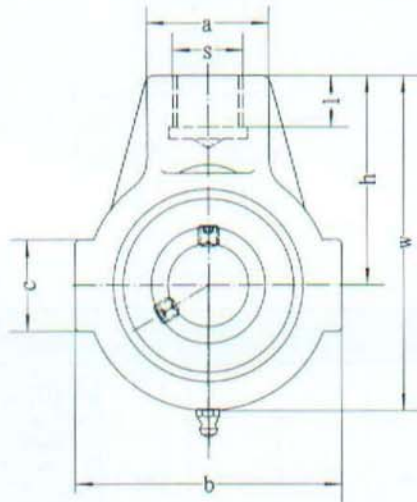
Unit No.	Dimensions ^{mm} _{in.}															Bolt Size mm inch	Bearing No.	Housing No.	Weight (kg)
	d	w	b	k	a	l	S	g	h	J	e	i	z	B	n				
UCFB201	12	110	62	52	52	25.5	10	13	42	27	32	15	33.3	31	12.7	M8	UC201	FB204	0.58
UCFB201-8	1/2																UC201-8		0.57
UCFB202	15																UC202		0.57
UCFB202-9	9/16																UC202-9		0.57
UCFB202-10	5/8	4-11/32	2-7/16	2-1/16	2-1/16	1	25/64	1/2	1-21/32	1-1/16	1-17/64	19/32	1-5/16	1.2205	0.500	5/16	UC202-10		0.57
UCFB203	17																UC203		0.56
UCFB203-11	11/16																UC203-11		0.55
UCFB204	20																UC204		0.54
UCFB204-12	3/4																UC204-12	0.54	
UCFB205	25	116	68	52	56	27	10	13	45	27	34	16	35.8	34.1	14.3	M8	UC205	FB205	0.79
UCFB205-13	13/16																UC205-13		0.83
UCFB205-14	7/8	4-9/16	2-11/16	2-1/16	2-7/32	1-1/16	25/64	1/2	1-49/64	1-1/16	1-11/32	5/8	1-13/32	1.3425	0.563	5/16	UC205-14		0.82
UCFB205-15	15/16																UC205-15		0.80
UCFB205-16	1																UC205-16		0.79
UCFB206	30	130	78	55	65	31	10	13	50	29	40	18	40.2	38.1	15.9	M8	UC206	FB206	0.95
UCFB206-17	1-1/16																UC206-17		0.98
UCFB206-18	1-1/8	5-1/8	3-1/16	2-5/32	2-9/16	1-7/32	25/64	1/2	1-31/32	1-9/64	1-37/64	45/64	1-19/32	1.5000	0.626	5/16	UC206-18		0.97
UCFB206-19	1-3/16																UC206-19		0.95
UCFB206-20	1-1/4																UC206-20		0.94
UCFB207	35	144	90	62	70	34	10	15	55	32	46	19	44.4	42.9	17.5	M8	UC207	FB207	1.29
UCFB207-20	1-1/4																UC207-20		1.35
UCFB207-21	1-5/16	5-21/32	3-35/64	2-7/16	2-3/4	1-11/32	25/64	19/32	2-11/64	1-17/64	1-13/16	3/4	1-3/4	1.6890	0.689	5/16	UC207-21		1.32
UCFB207-22	1-3/8																UC207-22		0.29
UCFB207-23	1-7/16																UC207-23		1.26
UCFB208	40	164	100	72	78	36	12	16	60	41	50	21	51.2	49.2	19	M10	UC208	FB208	1.78
UCFB208-24	1-1/2	6-15/32	3-15/16	2-27/32	3-1/16	1-13/32	15/32	5/8	2-23/64	1-39/64	1-31/32	53/64	2-1/64	1.9370	0.748	3/8	UC208-24		1.82
UCFB208-25	1-9/16																UC208-25		1.79
UCFB209	45	174	106	76	80	38	12	18	65	43	54	22	52.2	49.2	19	M10	UC209	FB209	1.91
UCFB209-26	1-5/8																UC209-26		2.01
UCFB209-27	1-11/16	6-27/32	4-3/16	3	3-5/32	1-1/2	15/32	23/32	2-9/16	1-11/16	2-1/8	55/64	2-1/16	1.9370	0.748	3/8	UC209-27		1.97
UCFB209-28	1-3/4																UC209-28		1.93
UCFB210	50	184	112	82	86	40	12	18	68	46	58	22	54.6	51.6	19	M10	UC210	FB210	2.38
UCFB210-29	1-13/16																UC210-29		2.48
UCFB210-30	1-7/8	7-1/4	4-13/32	3-7/32	3-3/8	1-37/64	15/32	23/32	2-43/64	1-13/16	2-9/32	55/64	2-5/32	2.0315	0.748	3/8	UC210-30		2.43
UCFB210-31	1-15/16																UC210-31		2.38
UCFB210-32	2																UC210-32		2.34
UCFB211	55	207	130	86	90	43	14	18	78	50	62	25	58.4	55.6	22.2	M12	UC211	FB211	3.15
UCFB211-32	2																UC211-32		3.31
UCFB211-33	2-1/16	8-5/32	5-1/8	3-25/64	3-35/64	1-11/16	35/64	45/64	3-5/64	1-31/32	2-7/16	63/64	2-5/16	2.1890	0.874	7/16	UC211-33		3.25
UCFB211-34	2-1/8																UC211-34		3.20
UCFB211-35	2-3/16																UC211-35		3.14
UCFB212	60	223	140	90	94	48	14	18	84	55	66	29	68.7	65.1	25.4	M12	UC212	FB212	3.99
UCFB212-36	2-1/4																UC212-36		4.12
UCFB212-37	2-5/16	8-25/32	5-1/2	3-35/64	3-45/64	1-7/8	35/64	45/64	3-5/16	2-11/64	2-19/32	1-9/64	2-23/32	2.5630	1.000	7/16	UC212-37		4.04
UCFB212-38	2-3/8																UC212-38		3.97
UCFB212-39	2-7/16																UC212-39		3.90
UCFB213	65	244	155	94	100	50	14	20	92	60	70	30	69.7	65.1	25.4	M12	UC213	FB213	5.21
UCFB213-40	2-1/2	9-39/64	6-7/64	3-45/64	3-15/16	1-31/32	35/64	25/32	3-5/8	2-23/64	2-3/4	1-3/16	2-3/4	2.5630	1.000	7/16	UC213-40		5.3
UCFB213-41	2-9/16																UC213-41		5.21

Screw Conveyor Hanger Units

UCHA2 (Normal-duty)



Unit No.	Dimensions ^{mm} _{in.}										Bearing No.	Housing No.	Weight (kg)	
	d	h	w	b	c	a	S	l	B	n				
UCHA201	12	64	96	64	0	40		19	31	12.7	UC201	HA204	0.73	
UCHA201-8	1/2										UC201-8		0.72	
UCHA202	15										UC202		0.72	
UCHA202-9	9/16										UC202-9		0.72	
UCHA202-10	5/8	2-33/64	3-25/32	2-33/64	0	1-37/64	G-3/4	3/4	1.2205	0.500	UC202-10		0.72	
UCHA203	17										UC203		0.71	
UCHA203-11	11/16										UC203-11		0.70	
UCHA204	20										UC204		0.69	
UCHA204-12	3/4										UC204-12		0.69	
UCHA205	25	64	103	78	0	40		19	34.1	14.3	UC205		HA205	0.83
UCHA205-13	13/16										UC205-13			0.87
UCHA205-14	7/8	2-33/64	4-1/16	3-5/64	0	1-37/64	G-3/4	3/4	1.3425	0.563	UC205-14			0.86
UCHA205-15	15/16										UC205-15	0.84		
UCHA205-16	1										UC205-16	0.83		
UCHA206	30	64	103	78	0	40		19	38.1	15.9	UC206	HA206	0.83	
UCHA206-17	1-1/16										UC206-17		0.86	
UCHA206-18	1-1/8	2-33/64	4-1/16	3-5/64	0	1-37/64	G-3/4	3/4	1.5000	0.626	UC206-18		0.85	
UCHA206-19	1-3/16										UC206-19		0.83	
UCHA206-20	1-1/4										UC206-20		0.82	
UCHA207	35	70	116	92	0	40		19	42.9	17.5	UC207	HA207	1.16	
UCHA207-20	1-1/4										UC207-20		1.22	
UCHA207-21	1-5/16	2-3/4	4-9/16	3-5/8	0	1-37/64	G-3/4	3/4	1.6890	0.689	UC207-21		1.19	
UCHA207-22	1-3/8										UC207-22		1.16	
UCHA207-23	1-7/16										UC207-23		1.13	
UCHA208	40	73	121	96	2	40		19	49.2	19	UC208	HA208	1.32	
UCHA208-24	1-1/2	2-7/8	4-49/64	3-25/32	5/64	1-37/64	G-3/4	3/4	1.9370	0.748	UC208-24		1.36	
UCHA208-25	1-9/16										UC208-25		1.33	
UCHA209	45	82	136	108	5	48		21	49.2	19	UC209	HA209	1.92	
UCHA209-26	1-5/8										UC209-26		2.02	
UCHA209-27	1-11/16	3-15/64	5-23/64	4-1/4	13/64	1-57/64	G-1	53/64	1.9370	0.748	UC209-27		1.98	
UCHA209-28	1-3/4										UC209-28		1.94	
UCHA210	50	83	142	118	5	48		21	51.6	19	UC210	HA210	1.90	
UCHA210-29	1-13/16										UC210-29		2.02	
UCHA210-30	1-7/8	3-17/64	5-19/32	4-41/64	13/64	1-57/64	G1	53/64	2.0315	0.748	UC210-30		1.97	
UCHA210-31	2										UC210-31		1.92	
UCHA210-32	1-15/16										UC210-32	1.88		
UCHA211	55	87	150	126	7	60		25	55.6	22.2	UC211	HA211	2.61	
UCHA211-32	2										UC211-32		2.76	
UCHA211-33	2-1/16	3-27/64	5-29/32	4-61/64	9/32	2-23/64	G1-1/4	63/64	2.1890	0.874	UC211-33		2.70	
UCHA211-34	2-1/8										UC211-34		2.65	
UCHA211-35	2-3/16										UC211-35		2.59	
UCHA212	60	102	173	142	9	60		28	65.1	25.4	UC212	HA212	3.54	
UCHA212-36	2-1/4										UC212-36		3.67	
UCHA212-37	2-5/16	4-1/64	6-13/16	5-19/32	23/64	2-23/64	G1-1/4	1-7/64	2.5630	1.000	UC212-37		3.59	
UCHA212-38	2-3/8										UC212-38		3.52	
UCHA212-39											UC212-39		3.45	
UCHA213	65	117	200	166	9.5	70		32	65.1	25.4	UC213	HA213	5.80	
UCHA213-40	2-1/2	4-39/64	7-7/8	6-17/32	3/8	2-3/4	G1-1/2	1-17/64	2.5630	1.000	UC213-40		5.89	
UCHA213-41	2-9/16										UC213-41		5.80	
UCHA214	70	117	200	166	9.5	70		32	74.6	30.2	UC214	HA214	5.67	
UCHA214-42	2-5/8										UC214-42			
UCHA214-43	2-11/16	4-39/64	7-7/8	6-17/32	3/8	2-3/4	G1-1/2	1-17/64	2.9370	1.189	UC214-43			
UCHA214-44	2-3/4										UC214-44			
UCHA215	75	117	200	166	9.5	70		32	77.8	33.3	UC215	HA215	5.58	
UCHA215-45	2-13/16										UC215-45			
UCHA215-46	2-7/8	4-39/64	7-7/8	6-17/32	3/8	2-3/4	G1-1/2	1-17/64	3.0630	1.311	UC215-46			
UCHA215-47	2-15/16										UC215-47			
UCHA215-48	3										UC215-48			



Unit No.	Dimensions ^{mm} / _{in.}										Bearing No.	Housing No.	Weight (kg)
	d	h	w	b	c	a	s	l	B	n			
UCHE201	12	58	91	65	38	30		21	31	12.7	UC201		0.61
UCHE201-8	1/2										UC201-8		0.60
UCHE202	15										UC202		0.60
UCHE202-9	9/16										UC202-9		0.60
UCHE202-10	5/8	2-9/32	3-37/64	2-9/16	1-1/2	1-3/16	M16	53/64	1.2205	0.5000	UC202-10	HE204	0.60
UCHE203	17										UC203		0.59
UCHE203-11	11-16										UC203-11		0.58
UCHE204	20										UC204		0.57
UCHE204-12	3/4										UC204-12		0.57
UCHE205	25	64	99	70	38	35		22	34.1	14.3	UC205		0.72
UCHE205-13	13/16										UC205-13		0.76
UCHE205-14	7/8	2-33/64	3-57/64	2-3/4	1-1/2	1-3/8	M20	55/64	1.3425	0.563	UC205-14	HE205	0.75
UCHE205-15	15/16										UC205-15		0.73
UCHE205-16	1										UC205-16		0.72
UCHE206	30	72	114	85	40	40		24	38.1	15.9	UC206		1.12
UCHE206-17	1-1/16										UC206-17		1.13
UCHE206-18	1-1/8	2-53/64	4-31/64	3-11/32	1-37/64	1-37/64	M24	15/16	1.5000	0.626	UC206-18	HE206	1.14
UCHE206-19	1-3/16										UC206-19		1.12
UCHE206-20	1-1/4										UC206-20		1.11
UCHE207	35	76	122	90	40	40		24	42.9	17.5	UC207		1.25
UCHE207-20	1-1/4										UC207-20		1.31
UCHE207-21	1-5/16	3	4-51/16	3-35/64	1-37/64	1-37/64	M24	15/16	1.6890	0.689	UC207-21	HE207	1.28
UCHE207-22	1-3/16										UC207-22		1.25
UCHE207-23	1-1/4										UC207-23		1.22
UCHE208	40	85	135	100	45	40		24	49.2	19	UC208		1.61
UCHE208-24	1-1/2										UC208-24	HE208	1.65
UCHE208-25	1-9/16	3-11/32	5-5/16	3-15/16	1-25/32	1-37/64	M24	15/16	1.9370	0.748	UC208-25		1.62
UCHE209	45								49.2	19	UC209		2.04
UCHE209-26	1-5/8										UC209-26		2.14
UCHE209-27	1-11/16	90	145	110	46	40		24	1.9370	0.748	UC209-27	HE209	2.10
UCHE209-28	1-3/4						M24				UC209-28		2.06
UCHE210	50										UC210		1.91
UCHE210-29	1-13/16	3-35/64	5-45/64	4-21/64	1-13/16	1-37/64		15/16	51.6	19	UC210-29		2.03
UCHE210-30	1-7/8										UC210-30	HE210	1.98
UCHE210-31	1-15/16								2.0315	0.748	UC210-31		1.93
UCHE210-32	2										UC210-32		2.01