

FKL[®]

MADE IN SERBIA

Factory of Rolling Bearings and Cardan Shafts

Edition/Izdanje
2020



Product catalogue/Katalog

Customer Tailored Solutions in Agriculture
Poljoprivredni program prema zahtevu kupca



Your partner for

Providing the Best Solutions



CATALOGUE
KATALOG

Edition 2020.
Izdanje 2020.

Voronezh

Temerin

Copyright © 2020 FKL. All rights reserved.
These contents are the copyright of the publisher and may not be reproduced, in total or partially, without express consent of the publisher. Every precautions were taken to ensure the accuracy of the information in this publication but no liability can be accepted for any errors or omissions.
Prepared in Factory of rolling bearings and cardan shafts Temerin, Serbia

Editor in Chief: Laslo Koman, *B. Sc. Mechanical Engineer*
Copy Editor: Zoran Jandrić, *B. Sc. Mechanical Engineer*; Biljana Obrenović, *Master in Mechanical Engineer*
Photos, Layout and Prepress: Jasenka Martinović and Monja Madić, *Master in Graphic Engineer and Design*



AGRO POINT HUB

AGRO POINT ležaj

- 5 Agro Point IL20
- 6 Agro Point IL30
- 7 Agro Point IL40
- 8 Agro Point IL40 M
- 9 Agro Point IL50
- 10 Agro Point IL50 without shaft
- 11 Agro Point IL50 M
- 12 Agro Point IL50S
- 13 Agro Point IL60

Disc Harrow Solutions

Ležajevi tanjirače

- 14 PL-127-G
- 15 PL-140
- 16 PL-185-M30-R (L)
- 17 306230
- 18 3206 B.2RS1
- 19 3209 NPPB.AH02
- 20 3307 B.2RS1
- 21 357234A
- 22 BW1-357233
- 23 GWST 209PPB13
- 24 GWST 209PPB29
- 25 GWST 211PPB20
- 26 GWST 211PPBP40.X3
- 27 GW 211PP25
- 28 GW 211PP202
- 29 GWR 209PPB30
- 30 GWR 211PPB21
- 31 SBX 1227
- 32 GWHG 211PP25
- 33 GWHGR 211PP202

Seeding Machine Solutions

Ležajevi sejačice

- 34 VP-16/40/74,5
- 35 885152
- 36 885154B
- 37 3204 B.2RS1
- 38 3204 T
- 39 3205 B.2RS1
- 40 5206 KPP3
- 41 SL 3303 2S
- 42 SL 5203 2T
- 43 SL2 5203-2T
- 44 VP-M20x1.5/40/72-R (L)
- 45 06C04-2Z
- 46 Q 203PP.AH02
- 47 Q 203PP.AH05
- 48 SL 53-014-2T
- 49 SL 5316 2T
- 50 SLE 53-012-2T
- 51 SLU 53-012-2T
- 52 205KRP2
- 53 LY 312 2F
- 54 SLE 47-16S-2RS
- 55 203KRR.AH02/203KPP.AH02
- 56 203KRR.AH05/203KPP.AH05
- 57 204KRR2
- 58 204KRR
- 59 204KRRB2
- 60 203KRR
- 61 PL-7517/7520

Packer Roller Solutions

Ležajevi valjka

- 62 LSFR 308 TBT.H.T.Zn/LSFR 308 2TB.H.T.Zn
- 63 LSQFR 308 TBT.H.T.Zn
- 64 LSGR 205 FS
- 65 LSGR 207 TBS
- 66 LSNN 208 TDT.H.T*K
- 67 LSNR 205 2T
- 68 LSNR 207 TBS
- 69 LSQFG 210 2PB.H
- 70 LEFN 212 M 2TB/LEFN 212 M 2TB.H

Packer Baller Solutions

Ležajevi balirke

- 71 CBK 320
- 72 LR-35/72
- 73 SL 15/40/14.4 2RS

Combine Solutions

Ležajevi kombajna

- 74 SL 40/90/36.5
- 75 209 KRR K/50.135
- 76 207KRRB9
- 77 G207 KPP3 AH16
- 78 LY 208-108 2F.SH
- 79 W 208PPB16
- 80 W 208PP16

Universal Solutions

Univerzalna rešenja

- 81 LEFG 210 TDT - Bearing unit ARMOR
- 82 LEFN 210 2PC
- 84 FKL Distributors/FKL Distributeri

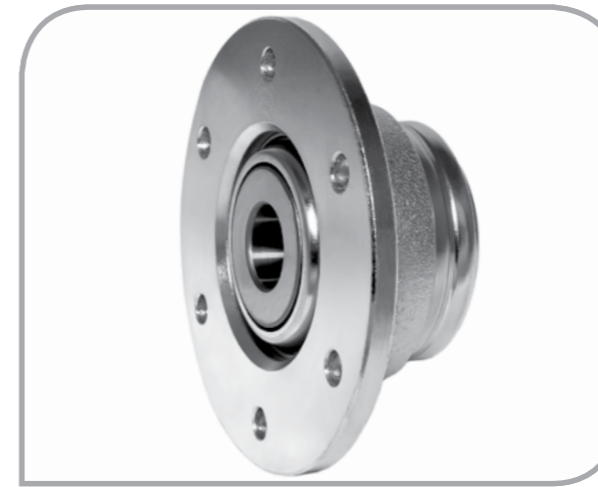


Customer Tailored Solutions in Agriculture
Poljoprivredni program prema zahtevu kupca



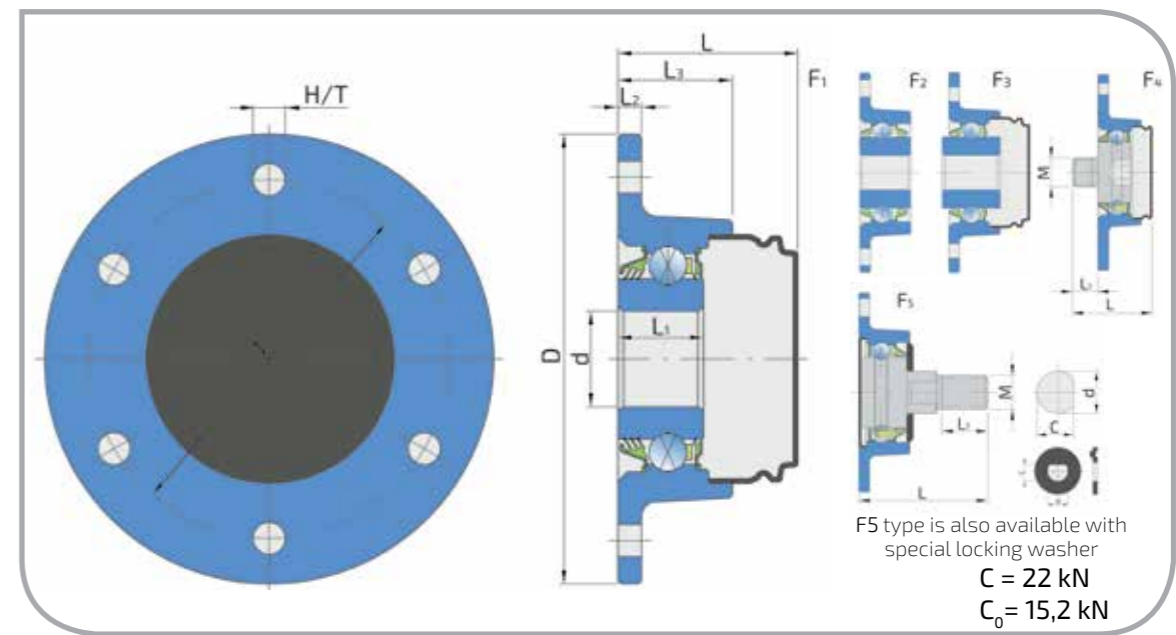
AGRO POINT HUB
AGRO POINT ležaj

AGRO POINT IL20



COMPARATIVE DESIGNATION
UPOREDNE OZNAKE

FKL	Comparative	
IL20-70/6T-B12	LEMKEN	5554520 5821020
IL20-73/6H-B16	HORSCH	24156400
IL20-75/6H-B17+GK	GASPARDO	15223651
IL20-75/6H-B20	NWG	AHU20091C-01 AHU20091C-02
IL20-80/5H-M16	PEER	HUB-20MM-X HUB-20MM-X-ASSY-A580
IL20-82/5T-B16	POTTINGER	8504.33.006.4



Dimensions/Osnovne mere (mm)

Designation/Oznaka	J	D	H/T	d	M	C	L	L ₁	L ₂	L ₃	kg	Figure
IL20-70/6T-B12	70	80	6xM6	12,2	-	-	32,5	25,5	5	28,5	0,59	3
IL20-73/6H-B16	73,5	94	6x6,5	16	-	-	37,7	27	5	24	0,6	3
IL20-75/5H-M16-R	75	94	5x6,5	-	M16	-	44	14	5	24	0,53	4
IL20-75/5H-M16-L	75	94	5x6,5	-	M16-Left	-	44	14	5	24	0,53	4
IL20-75/6H-B16	75	94	6x6,5	16	-	-	37,7	18	5	24	0,5	1
IL20-75/6H-B17	75	94	6x6,5	17	-	-	37,7	18	5	24	0,5	1
IL20-75/6H-B17+GK	75	94	6x6,5	17	-	-	37,7	18	5	24	0,75	1
IL20-75/6H-B20	75	94	6x6,5	20	-	-	37,7	18	5	24	0,5	1
IL20-79/6H-B16	79,4	94	6x8,1	16	-	-	24	24	5	24	0,5	2
IL20-80/5H-M16	80	94	5x8,5	20	M16	18,5	60,5	21,5	5	24	0,59	5
IL20-80/6T-M16x2	80	94	6xM8x1,25	20	M16x2	18,5	71,6	21,2	5	24	0,74	5
IL20-82/5T-B16	82	108	5xM8	16,2	-	-	24	24	6	24	0,64	2
IL20-92/5H-M16-R	92	108	5x6,5	-	M16	-	44	14	6	24	0,67	4
IL20-92/5H-M16-L	92	108	5x6,5	-	M16-Left	-	44	14	6	24	0,67	4

Seeding Machines
Sejačice

Typical Applications:
Potencijalno mesto ugradnje i primena:

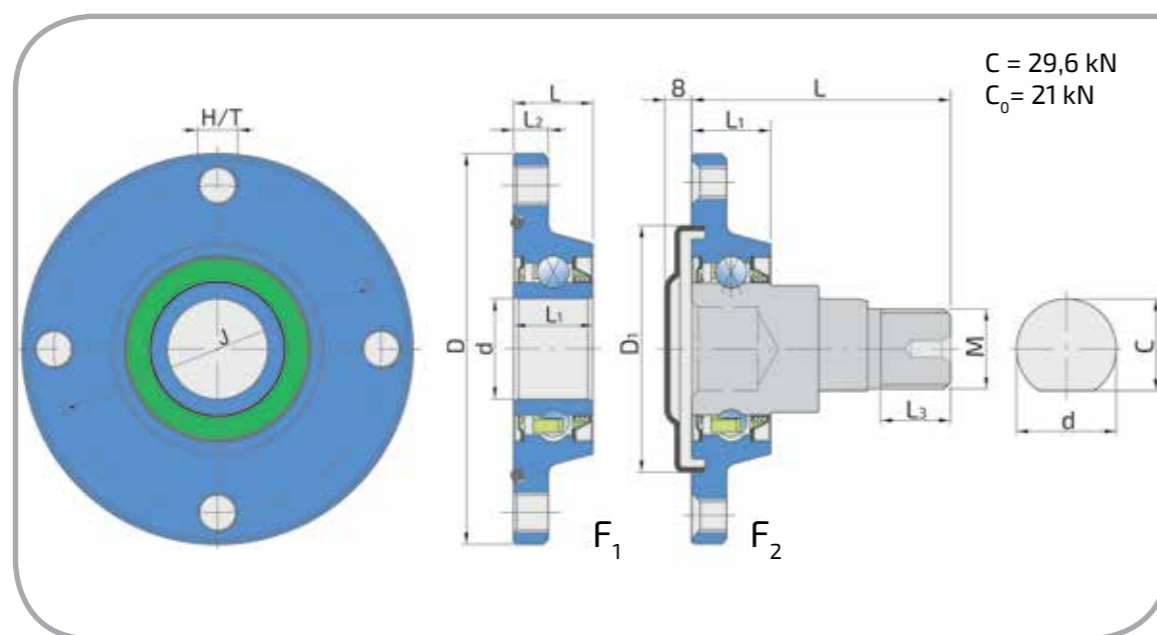
Note/Napomena
The cover is set by the user/Zaštitnu kapu postavlja korisnik



AGRO POINT HUB

AGRO POINT ležaj

AGRO POINT IL30



Dimensions/Osnovne mere (mm)

Designation/Oznaka	J	D	D ₁	H/T	d	M	C	L	L ₁	L ₂	L ₃	kg	Figure
IL30-98/4T-B30	98	117	-	4xM12x1,25	30	-	-	23,8	23,8	10,5	-	0,905	1
IL30-98/5T-B30	98	117	-	5xM12x1,25	30	-	-	23,8	23,8	10,5	-	0,925	1
IL30-98/4H-B30	98	117	-	4xØ10	30	-	-	23,8	23,8	10,5	-	0,905	1
IL30-100/4T-M24x2	100	117	74	4xM10	30	M24x2	27,5	89	23,8	10,5	28	1,52	2

Typical Applications:

Potencijalno mesto ugradnje i primena:

Seeding Machines/Sejačice
Ploughs/Plugovi



AGRO POINT HUB

AGRO POINT ležaj

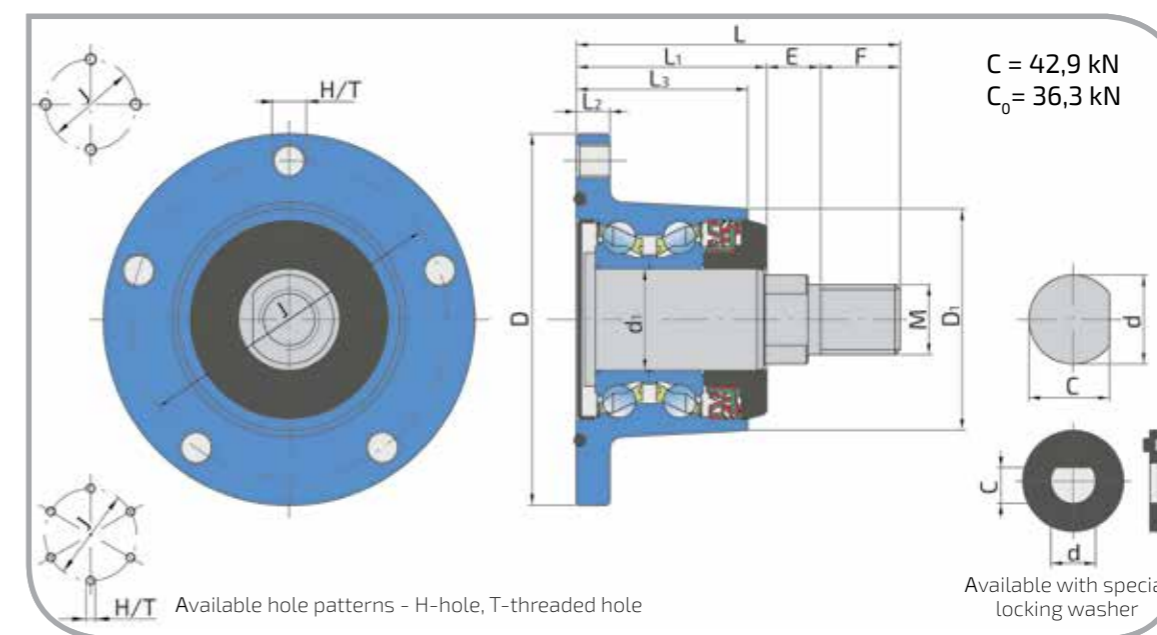
AGRO POINT IL40



COMPARATIVE DESIGNATION

UPOREDNE OZNAKE

FKL	Comparative
IL40-98/4T-M22	NWG AHU28117A-01 SNR HUA11-4M12-S01
IL40-98/5T-M22	NWG AHU28117A-02 SNR HUA11-5M12-S01
IL40-98/6T-M22	NWG AHU28117A-03 SNR HUA11-6M12-S01
IL40-98/4T-M24	PEER HUB-30MM-X-ASSY-A164



Dimensions/Osnovne mere (mm)

Designation/Oznaka	J	D	D ₁	H/T	d	d ₁	M	C	L	L ₁	L ₂	L ₃	E	F	kg
IL40-98/4T-M22	98	117	70	4xM12x1,25	27,95	32	M22x1,5	25,4	102	60	10,5	54	17	25	2
IL40-98/5T-M22	98	117	70	5xM12x1,25	27,95	32	M22x1,5	25,4	102	60	10,5	54	17	25	2
IL40-98/6T-M22	98	117	70	6xM12x1,25	27,95	32	M22x1,5	25,4	102	60	10,5	54	17	25	2
IL40-98/4T-M24	98	117	78,5	4xM12x1,25	30	32	M24x2	27,5	106	60	10,5	59	17	29	2,55
IL40-98/5T-M24	98	117	78,5	5xM12x1,25	30	32	M24x2	27,5	106	60	10,5	59	17	29	2,55
IL40-98/6T-M24	98	117	78,5	6xM12x1,25	30	32	M24x2	27,5	106	60	10,5	59	17	29	2,55

Typical Applications:

Potencijalno mesto ugradnje i primena:

Disc Harrows
Tanjirače



AGRO POINT HUB

AGRO POINT ležaj

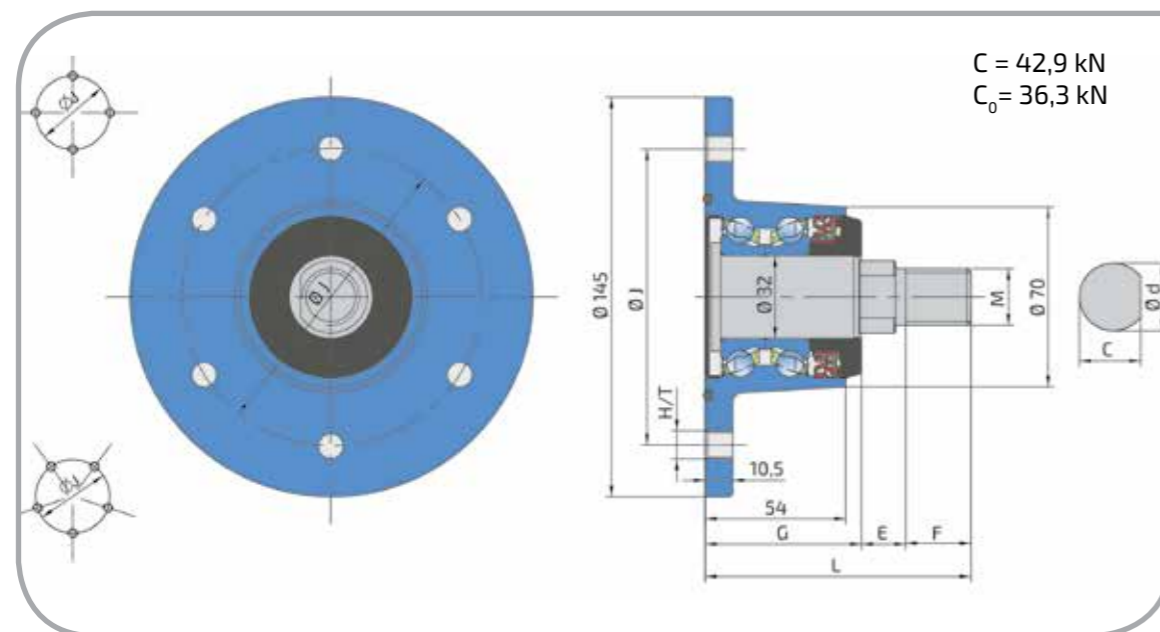
Agro Point IL40 M



COMPARATIVE DESIGNATION

UPOREDNE OZNAKE

FKL	Comparative	
IL40-110/4H-M24x1.5	NWG	AHU24135A-01
	POTTINGER	9755.02.140.0
IL40-110/4H-M30x2	POTTINGER	9776.02.140.1
IL40-112/5T-M24x2	NWG	AHU30140A-01
	PEER	HUB-35MM
		HUB-35MM-ASSY-A519
		KIT-HUB-35MM-ASSY-A74



Dimensions/Osnovne mere (mm)

Designation/Oznaka	J	H/T	d	C	M	E	F	G	L	kg
IL40-104/5T-M22x1.5-01	104	5xM12x1,25	27,95	25,4	M22x1,5	21	25	55	101	2,5
IL40-110/4H-M24x1.5	110	4x13	24	22,5	M24x1,5	35	20	74	129	2,8
IL40-110/4H-M30x2	110	4x13	35	32,4	M30x2	20	38	76	134	3,2
IL40-112/5T-M24x2	112	5xM12x1,5	30	28	M24x2	21	25	55	101	2,5
IL40-115/5H-M22x1.5	115	5x13	28	25,5	M22x1,5	28	18	55	101	2,5

Typical Applications:

Potencijalno mesto ugradnje i primena:

Disc Harrows
Tanjirače



AGRO POINT HUB

AGRO POINT ležaj

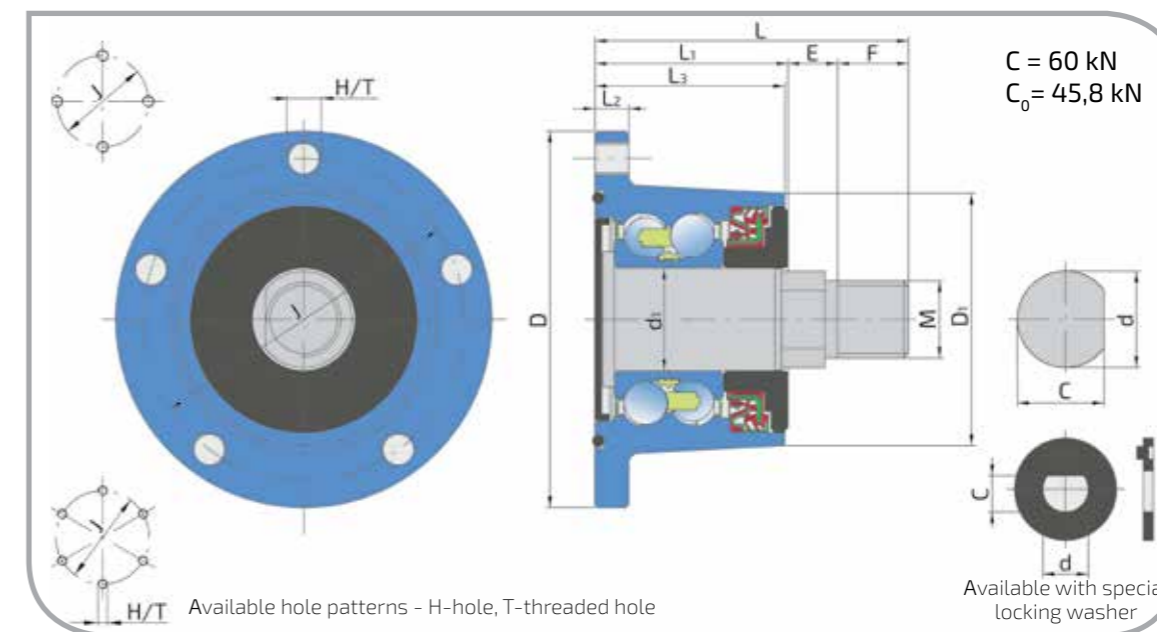
Agro Point IL50



COMPARATIVE DESIGNATION

UPOREDNE OZNAKE

FKL	Comparative	
IL50-98/4T-M22	GASPARDO	F06160015
	KOCKERLING	910974
	NWG	AHU28117A-01
	PEER	KIT-HUB-30MM-ASSY-A221
	SNR	HUA11-4M12-501
IL50-98/5T-M22	NWG	AHU28117A-02
	SNR	HUA11-5M12-501
IL50-98/6T-M22	NWG	AHU28117A-03
	PEER	HUB-30MM-X-ASSY-A249
IL50-100/4T-1"	NWG	AHU28117A-04
IL50-100/6T-M24-R	LEMKEN	5554512; 55510012
IL50-100/6T-M24-L	LEMKEN	5554513; 55510013



Dimensions/Osnovne mere (mm)

Designation/Oznaka	J	D	D₁	H/T	d	d₁	M	C	L	L₁	L₂	L₃	E	F	kg
IL50-98/4T-M22	98	117	78,5	4xM12x1,25	27,95	32	M22x1,5	25,4	102	60	10,5	59	17	25	2,5
IL50-98/5T-M22	98	117	78,5	5xM12x1,25	27,95	32	M22x1,5	25,4	102	60	10,5	59	17	25	2,5
IL50-98/6T-M22	98	117	78,5	6xM12x1,25	27,95	32	M22x1,5	25,4	102	60	10,5	59	17	25	2,5
IL50-98/6T-M22-113	98	117	78,5	6xM12x1,25	27,95	32	M22x1,5	25,4	113	60	10,5	59	28	25	2,54
IL50-98/4T-M24	98	117	78,5	4xM12x1,25	30	32	M24x2	27,5	106	60	10,5	59	17	29	2,55
IL50-98/5T-M24	98	117	78,5	5xM12x1,25	30	32	M24x2	27,5	106	60	10,5	59	17	29	2,55
IL50-98/6T-M24	98	117	78,5	6xM12x1,25	30	32	M24x2	27,5	106	60	10,5	59	17	29	2,55
IL50-100/4T-1"	100	117	78,5	4xM12x1,25	30	32	1" SAE14h	27,5	125	60	10,5	59	36	29	2,65
IL50-100/6T-M24-R	100	117	78,5	6xM10x1,25	30	32	M24x1,5	27	97,5	60	10,5	59	15,5	22	2,65
IL50-100/6T-M24-L	100	117	78,5	6xM10x1,25	30	32	M24x1,5-Left	27	97,5	60	10,5	59	15,5	22	2,65

Typical Applications:

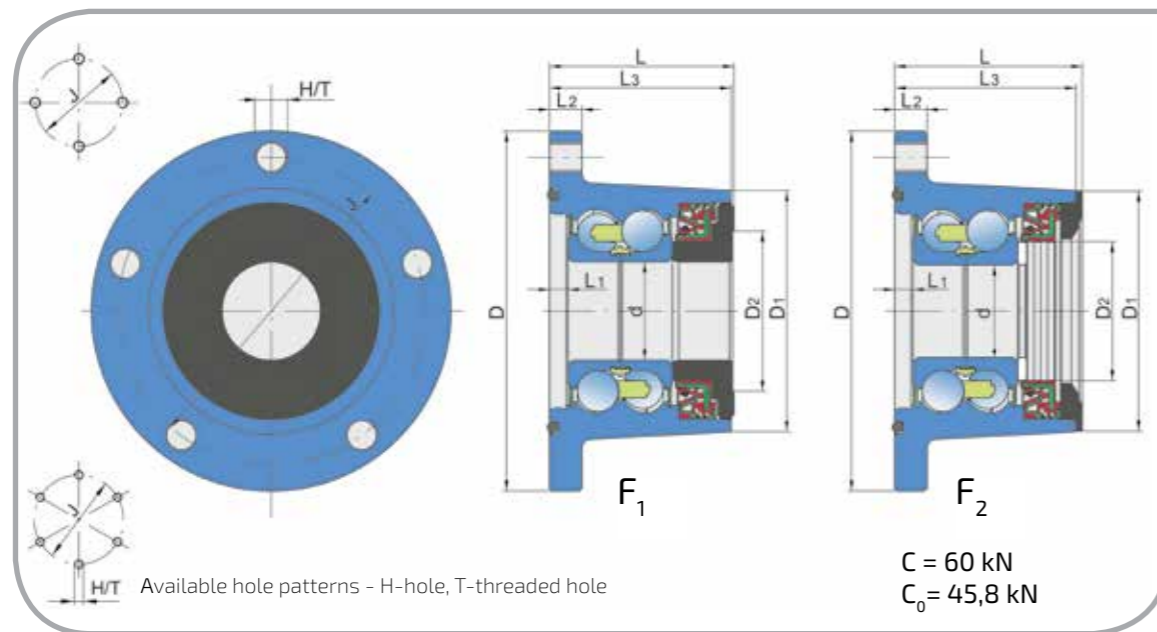
Potencijalno mesto ugradnje i primena:

Disc Harrows
Tanjirače

AGRO POINT HUB

AGRO POINT ležaj

Agro Point IL50 without shaft



Dimensions/Osnovne mere (mm)

Designation/Oznaka	J	D	D ₁	D ₂	H/T	d	L	L ₁	L ₂	L ₃	kg	Figure
IL50-98/4T-B30-J	98	117	78,5	52	4xM12x1,25	30	60	6	10,5	59	2	1
IL50-98/4T-B30-F	98	117	78,5	45	4xM12x1,25	30	61	6	10,5	59	1,9	2

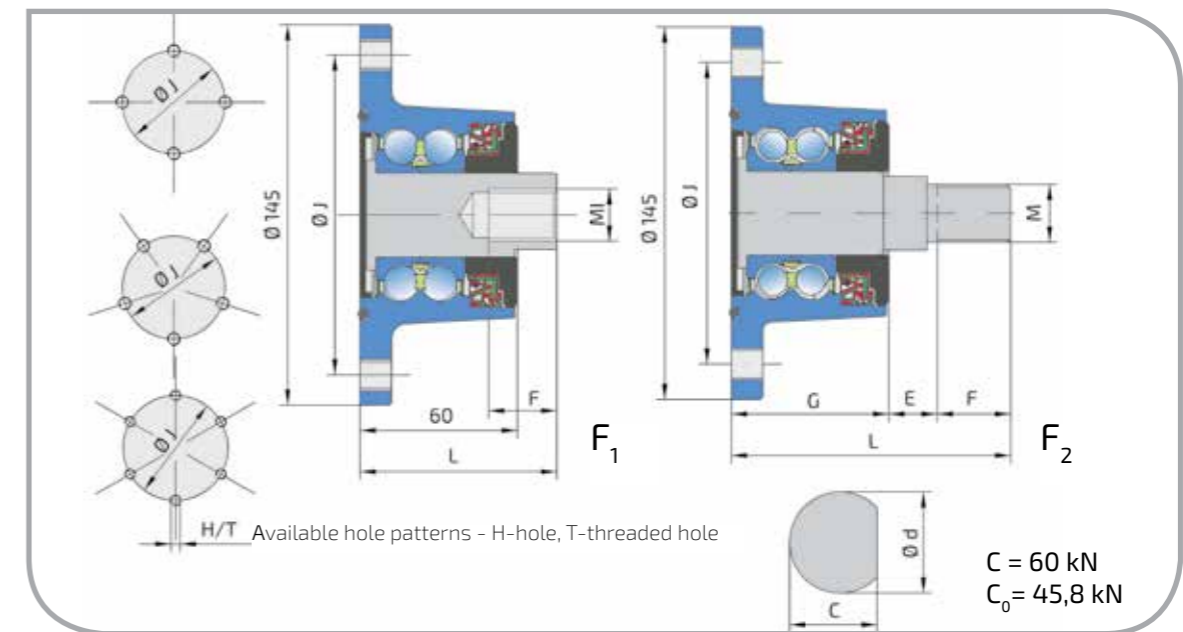
Typical Applications:
Potencijalno mesto ugradnje i primena:

Disc Harrows
Tanjirače

AGRO POINT HUB

AGRO POINT ležaj

Agro Point IL50 M



Dimensions/Osnovne mere (mm)

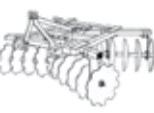
Designation/Oznaka	J	H/T	d	C	M	MI	E	F	G	L	kg	Figure
IL50-110/4H-M24x1,5	110	4x13	24	22,5	M24x1,5	-	35	20	74	129	3,4	2
IL50-112/5T-M24x2	112	5xM12x1,5	30	28	M24x2	-	21	25	60	106	3,2	2
IL50-115/5H-M22x1,5	115	5x13	28	25,5	M22x1,5	-	28	18	60	106	3,2	2
IL50-122/6T-M20x1,5	122	M12x1,25	31,3	29	-	M20x1,5	-	26	-	75	3	1
IL50-125/4T-M30x2	125	4xM12	30x30	-	M30x2	-	9,6	30,7	64	104,3	3,2	2

Typical Applications:
Potencijalno mesto ugradnje i primena:

Disc Harrows
Tanjirače



AGRO POINT HUB
AGRO POINT ležaj



AGRO POINT HUB
AGRO POINT ležaj



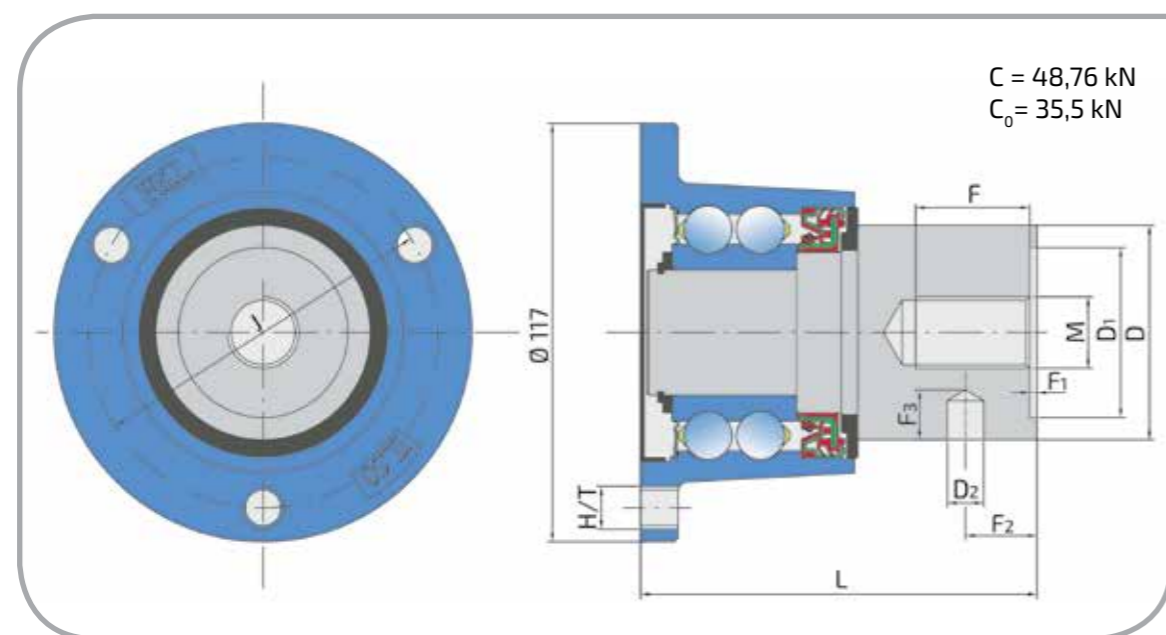
AGRO POINT HUB

AGRO POINT ležaj

Agro Point IL50S

COMPARATIVE DESIGNATION UPOREDNE OZNAKE

FKL	Comparative
IL50S-98/3T-M20	HORSCH 23246700



Dimensions/Osnovne mere (mm)

D	D ₁	D ₂	J	H/T	M	L	F	F ₁	F ₂	F ₃	kg
60	47,5	10,2	98	M12	M20	111	32	2	20	14	3,3

Typical Applications:
Potencijalno mesto ugradnje i primena:

Disc Harrows
Tanjirače



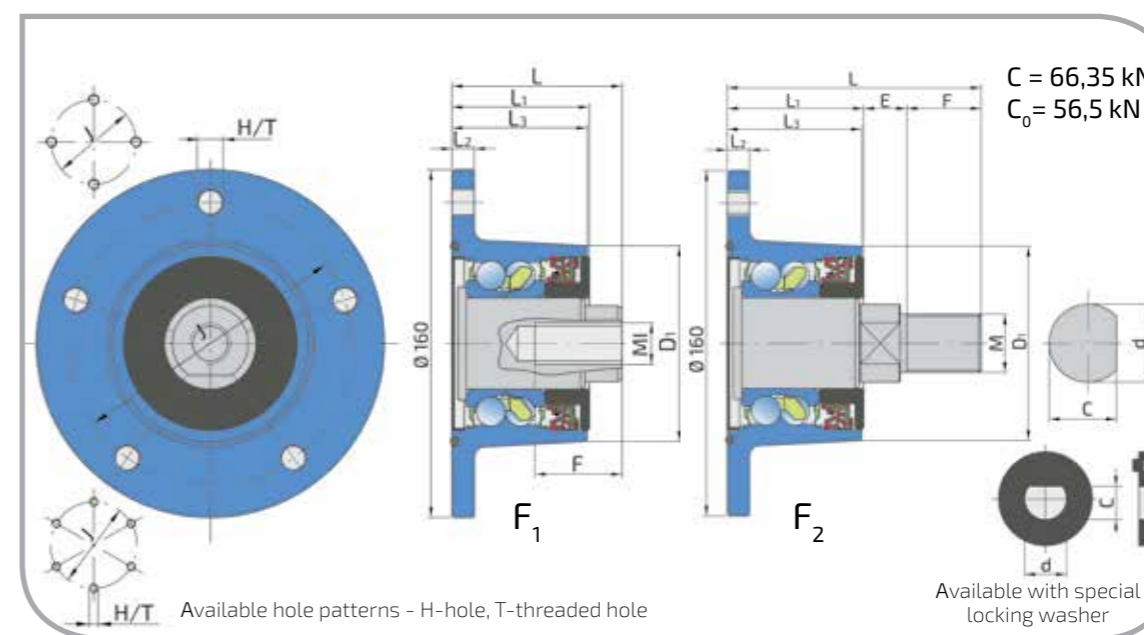
AGRO POINT HUB

AGRO POINT ležaj

Agro Point IL60

COMPARATIVE DESIGNATION UPOREDNE OZNAKE

FKL	Comparative
IL60-130/6T-M27	PEER HUB-40MM-X-ASSY-A628
IL60-133/4H-3/4-16UNF	PEER HUB-40MM-X-ASSY-A439
IL60-140/5T-M27	PEER HUB-40MM-X-ASSY-A436



Dimensions/Osnovne mere (mm)

Designation/Oznaka	J	H/T	d	C	M	MI	E	F	L	L ₁	L ₂	L ₃	kg	Figure
IL60-00-M20x1.5	-	without	31	34,9	-	M20x1,5	-	40	78	62	11	63	4,2	1
IL60-120/4H-M20	120	4x11	34	31	-	M20	-	14	96	62	11	63	4,35	1
IL60-120/4x12,5H-M20	120	4x12,5	34	31	-	M20	-	14	96	62	11	63	4,35	1
IL60-122/6H-M24	122	6x12	35	32,5	M24x2	-	16,5	27	106,5	62	11	63	4,2	2
IL60-130/6T-M24	130	6xM12x1,25	30	28	M24x2	-	24,5	33,5	121	62	11	63	4,6	2
IL60-130/6T-M27	130	6xM12x1,25	36	33,5	M27x2	-	21	33,5	117,5	62	11	63	4,4	2
IL60-130/6T-M30-03	130	6xM12x1,25	40	37	M30x1,5	-	32	29	124	62	11	63	4,8	2
IL60-130/6T-M30-112-03	130	6xM12x1,25	40	37	M30x1,5	-	20	29	112	62	11	63	4,4	2
IL60-133/4H-3/4-16UNF	133,35	4x13,5	31	34,9	-	3/4-16UNF	-	40	78	62	11	63	4,1	1
IL60-140/5T-M27	140	5xM12x1,25	36	33,5	M27x2	-	21	33,5	117,5	62	11	63	4,4	2
IL60-140/6T-M27	140	6xM12x1,25	36	33,5	M27x2	-	21	33,5	117,5	62	11	63	4,4	2

Typical Applications:
Potencijalno mesto ugradnje i primena:

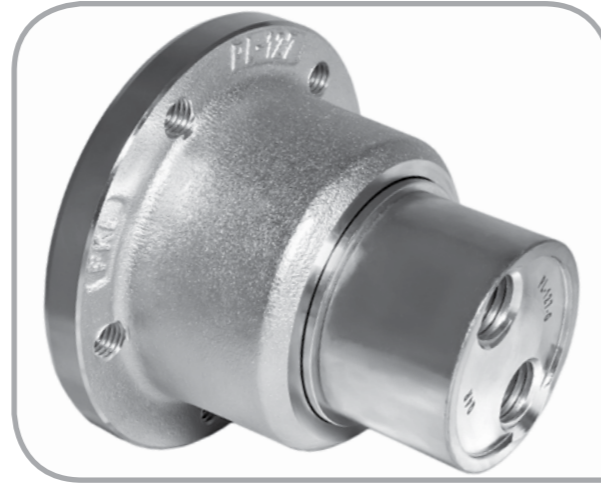
Disc Harrows
Tanjirače



Bearing Unit

Ležajna jedinica

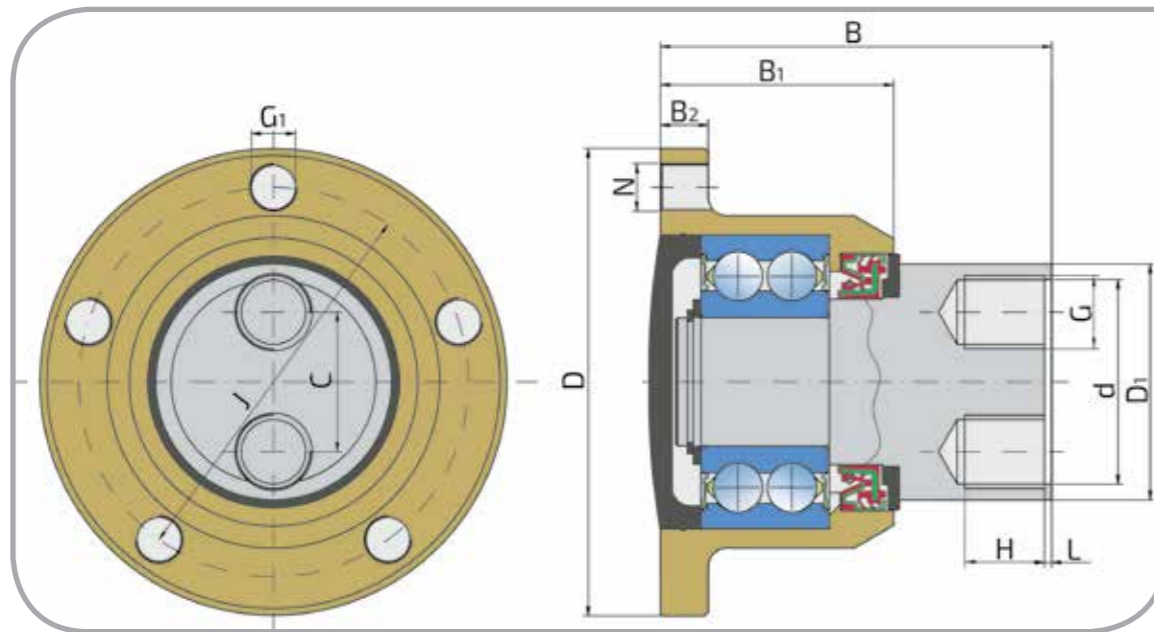
PL-127-G



COMPARATIVE DESIGNATION

UPOREDNE OZNAKE

FKL	PL-127-G
HORSCH	28071300
	28085600
	28077800
	28077900



Dimensions/Osnovne mere (mm)

D	D ₁	d	J	H	L	B	B ₁	B ₂	N	G	G ₁	C	kg
127,3	64,2	55,7	106	25	2	106,5	63,5	13	13	2xM20	M12	38	3,81

Typical Applications:

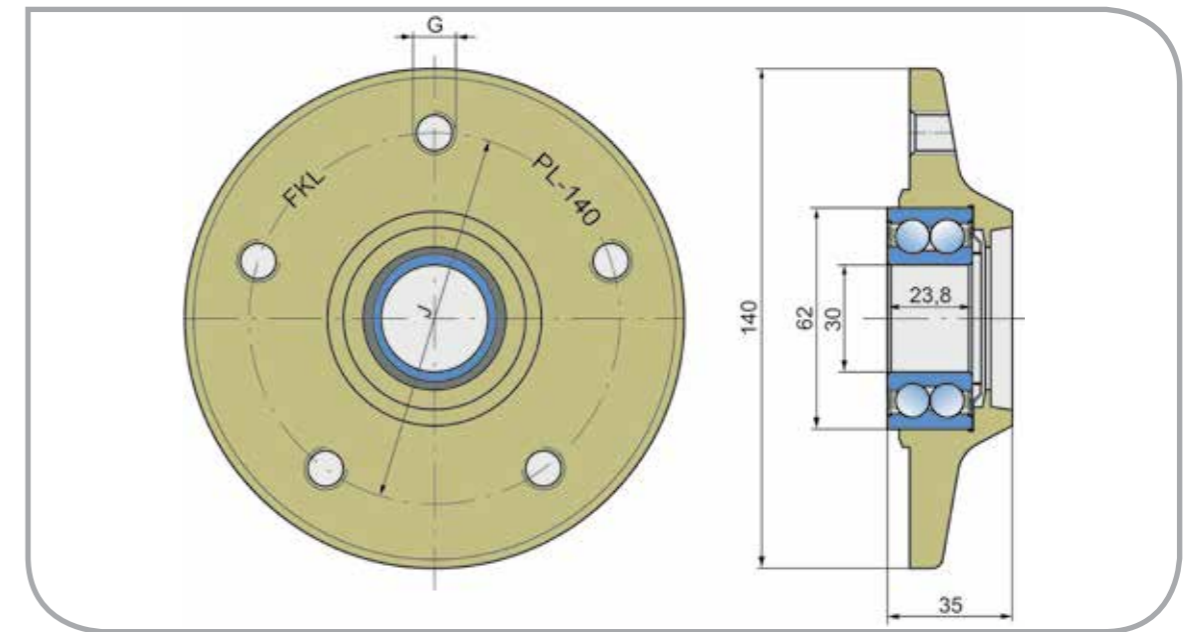
Potencijalno mesto ugradnje i primena:

 Disc Harrows
 Tanjirače

Bearing Unit

Ležajna jedinica

PL-140



Dimensions/Osnovne mere (mm)

J	G	kg
104	M12	1,5

Typical Applications:

Potencijalno mesto ugradnje i primena:

 Disc Harrows
 Tanjirače




Bearing Unit

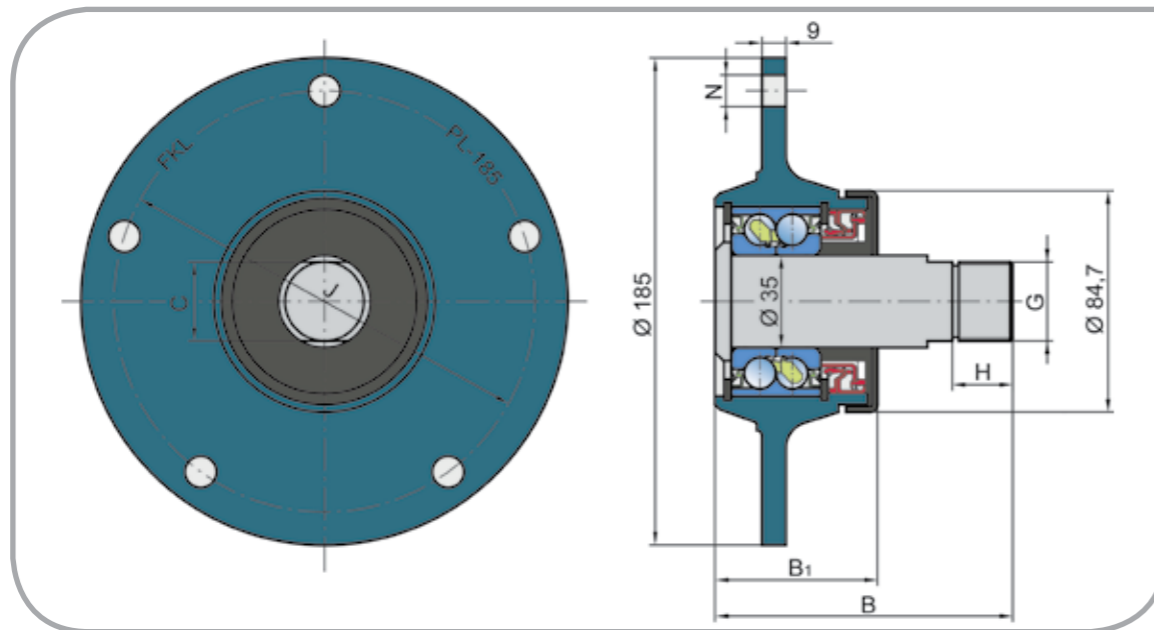
Ležajna jedinica

PL-185-M30-R (L)

COMPARATIVE DESIGNATION

UPOREDNE OZNAKE

FKL	PL-185-M30-R (L)
LEMKEN	5554502 (5554503) 55510014 (55510015)



Dimensions/Osnovne mere (mm)

Designation/Oznaka	C	J	N	B	B ₁	H	G	kg
PL-185-M30-R	30	160	12	113	61,6	23	M30x1,5	3,92
PL-185-M30-L	30	160	12	113	61,6	23	M30x1,5-L	3,92

Part/Deo	FKL designation/ FKL oznaka	Comparative designations/ Uporodne oznake	Proizvođač/ Producer
Nut/Navrtka	M 30x1,5 DIN 439 ZN6.PS.CB M 30x1,5-LH DIN 439 ZN6.PS.CB	3030994 3030995	LEMKEN
Cap/Poklopac	PL-185/4	32310065	LEMKEN
Washer/Podloška	PL-185/9	3051327	LEMKEN
Dirtblock seal/Zaptivka	ST16 45-70-14/17	3238301	LEMKEN

Typical Applications:

Potencijalno mesto ugradnje i primena:

Disc Harrows
Tanjirače



Double Row Angular Contact Ball Bearing

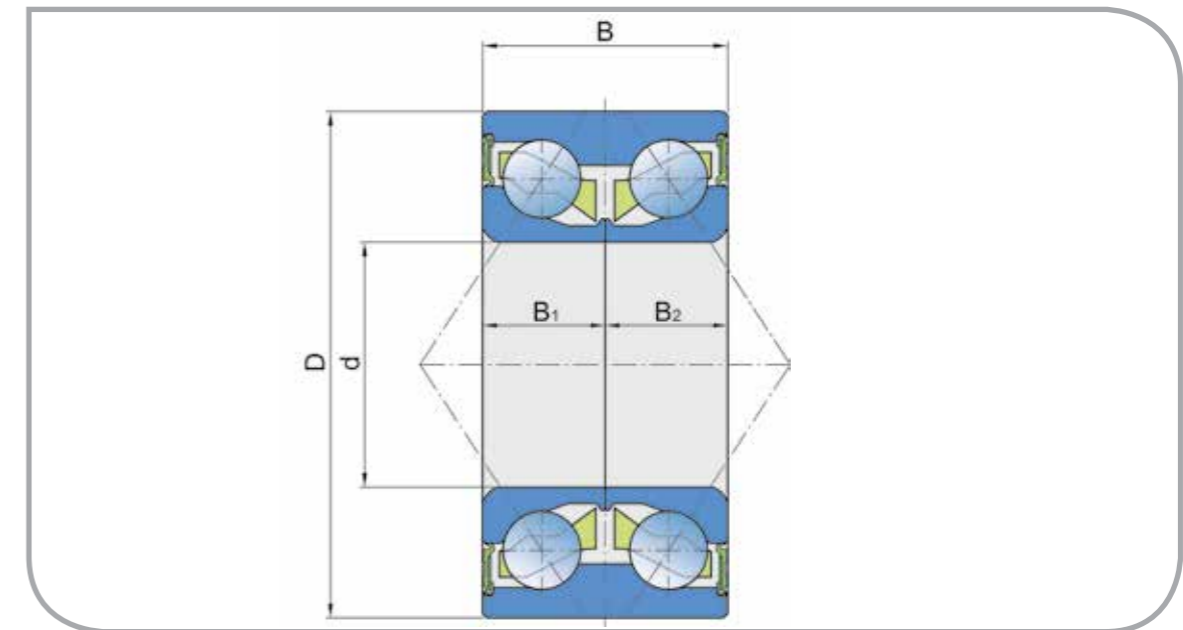
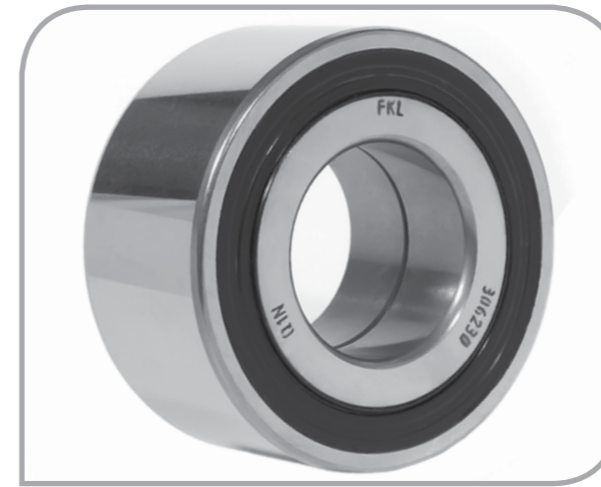
Dvoredni kuglični ležaj sa kosim dodirom

306230

COMPARATIVE DESIGNATION

UPOREDNE OZNAKE

FKL	306230
LEMKEN	3198760



Dimensions/Osnovne mere (mm)

d	D	B	B ₁	B ₂	kg
30	62	30	15	15	0,390

Typical Applications:

Potencijalno mesto ugradnje i primena:

Disc Harrows
Tanjirače



Double Row Angular Contact Ball Bearing

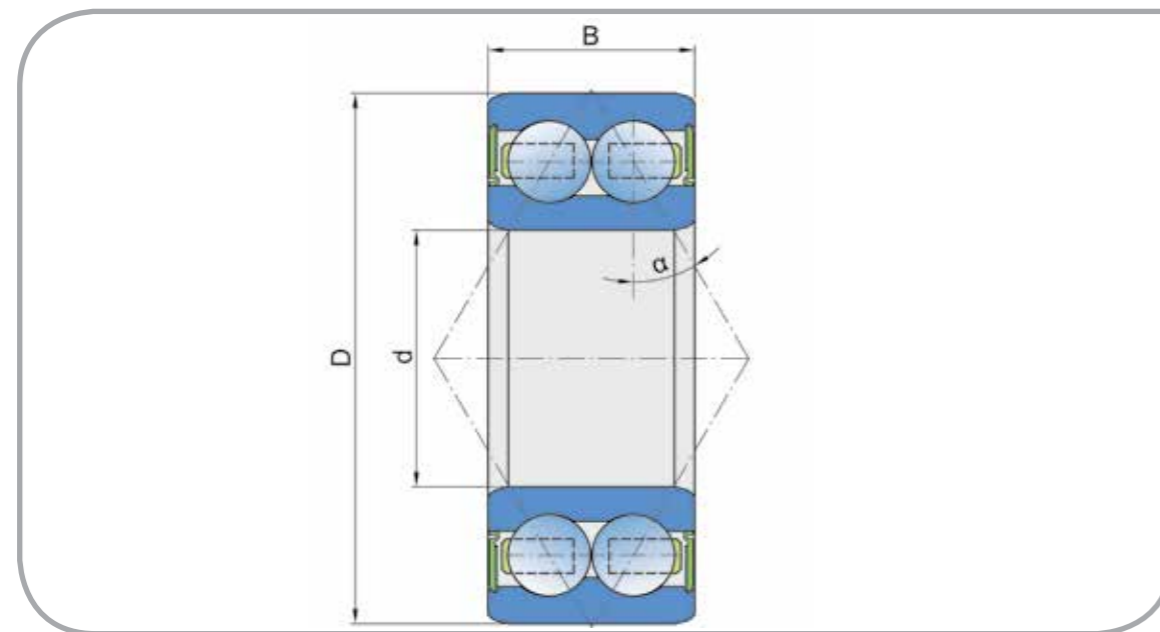
Dvoredni kuglični ležaj sa kosim dodirom

3206 B.2RS1

COMPARATIVE DESIGNATION

UPOREDNE OZNAKE

FKL	3206 B.2RS1
FAG	3206-BD-XL-2HRS-TVH
HORSCH	00240161
KVERNELAND	AC671261
NTN	5206 C LLU
SNR	5206 EEG15



Dimensions/Osnovne mere (mm)

d	D	B	α	kg
30	62	23,8	30°	0,285

Typical Applications:

Potencijalno mesto ugradnje i primena:

Disc Harrows
Tanjirače



Double Row Angular Contact Ball Bearing

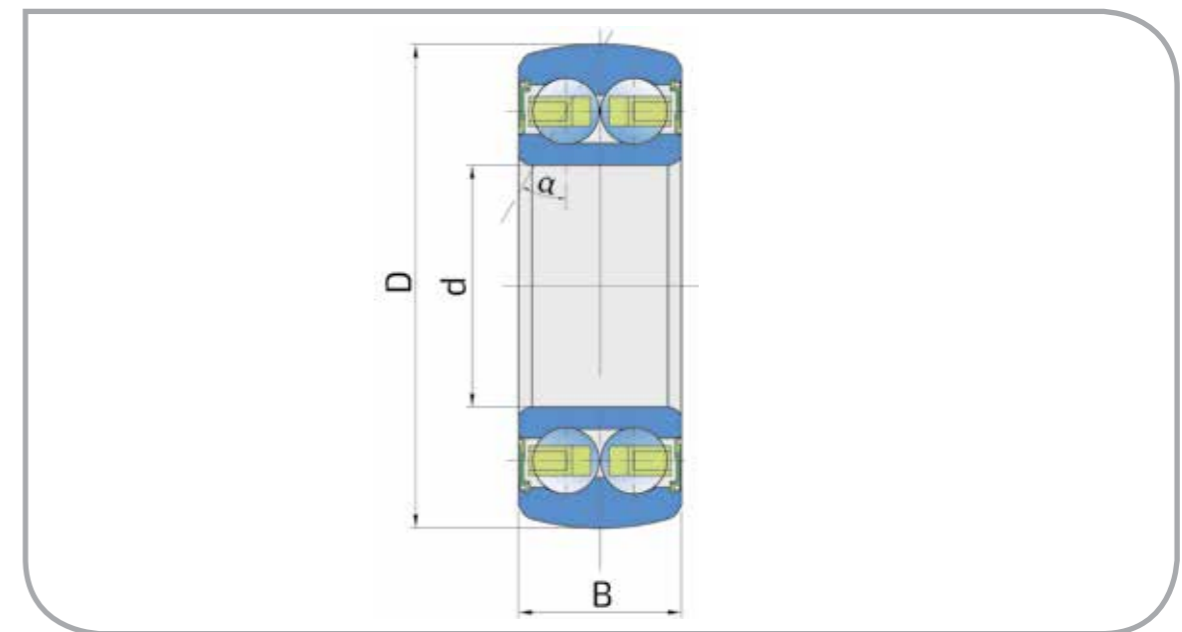
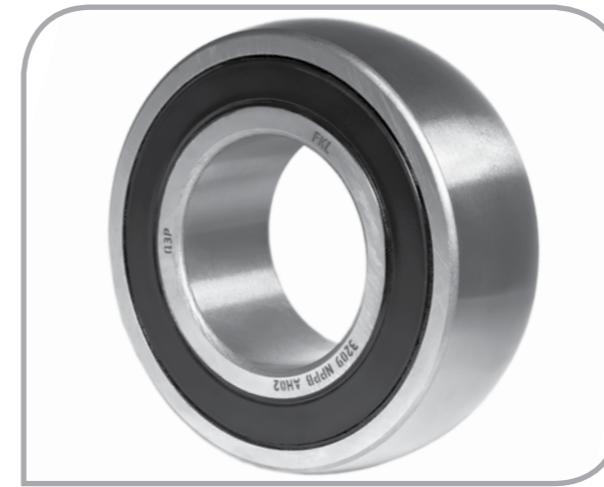
Dvoredni kuglični ležaj sa kosim dodirom

3209 NPPB.AH02

COMPARATIVE DESIGNATION

UPOREDNE OZNAKE

FKL	3209 NPPB.AH02
INA	3209NPPBAH02
JOHN DEERE	AZ37467



Dimensions/Osnovne mere (mm)

d	D	B	α	kg
45	90	30,2	30°	0,63

Typical Applications:

Potencijalno mesto ugradnje i primena:

Disc Harrows
Tanjirače



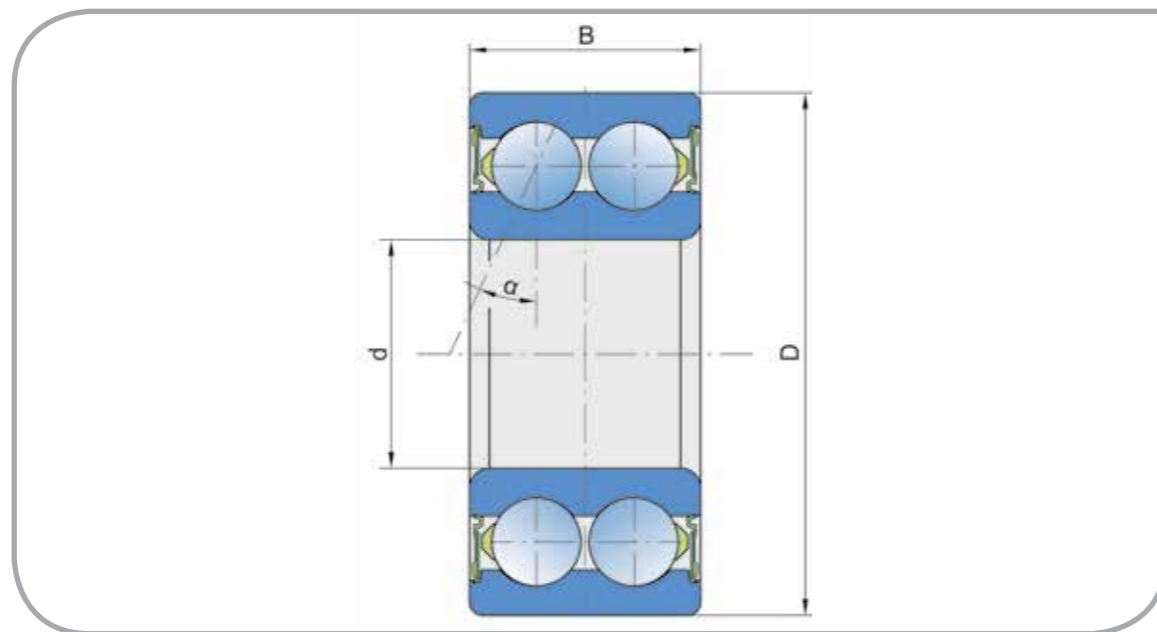
Double Row Angular Contact Ball Bearing

Dvoredni kuglični ležaj sa kosim dodirom

3307 B.2RS1

COMPARATIVE DESIGNATION UPOREDNE OZNAKE

FKL	3307 B.2RS1
HORSCH	00240189 00240213
INA/FAG	3307-BD-XL-2HRS-TVH
NSK	3307 B.2RS.TNG
NTN	5307 C LLU
SNR	5307EEG15



Dimensions/Osnovne mere (mm)

d	D	B	α	kg
35	80	34,9	25°	0,7

Typical Applications:

Potencijalno mesto ugradnje i primena:

Disc Harrows
Tanjirače



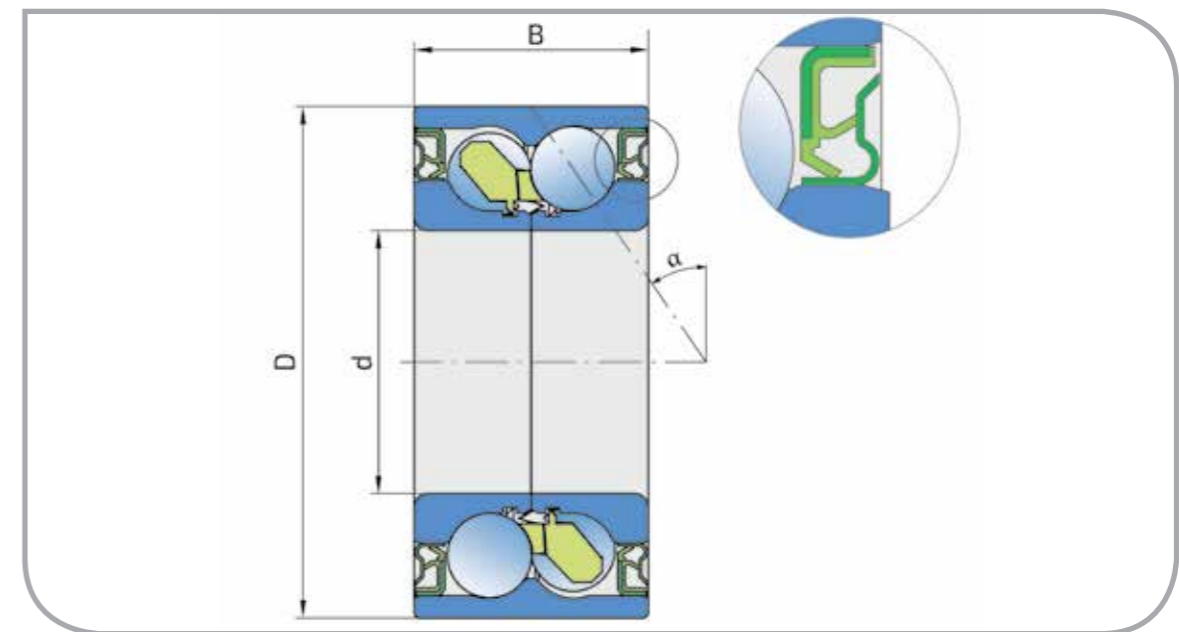
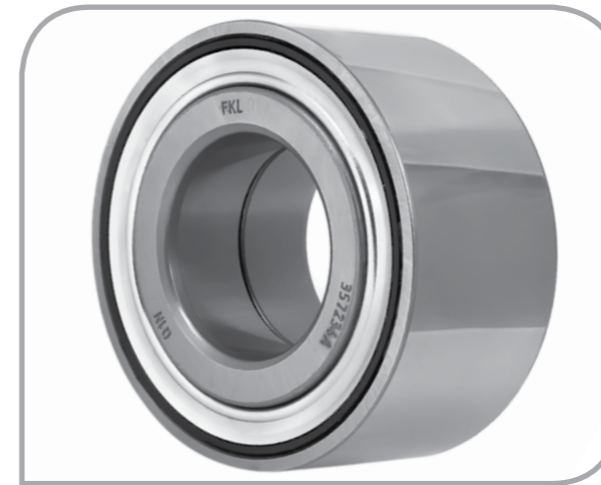
Double Row Angular Contact Ball Bearing

Dvoredni kuglični ležaj sa kosim dodirom

357234A

COMPARATIVE DESIGNATION UPOREDNE OZNAKE

FKL	357234A
CLAAS	939717.0
FAG	540763
FERSA	F16201
KOYO	DAC35720034 A
LEMKEN	3198750 F214101-1
NKE	3198750
NSK	35BWD01C
SNR	GB-40582



Dimensions/Osnovne mere (mm)

d	D	B	α	kg
35	72	34	40°	0,539

Typical Applications:

Potencijalno mesto ugradnje i primena:

Disc Harrows
Tanjirače



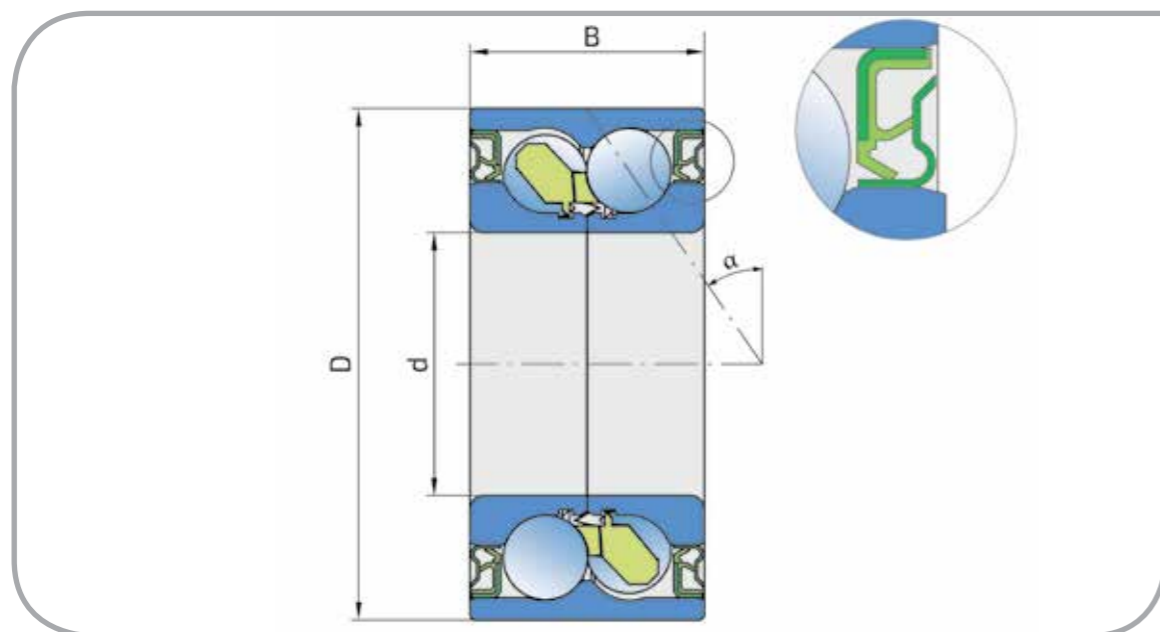
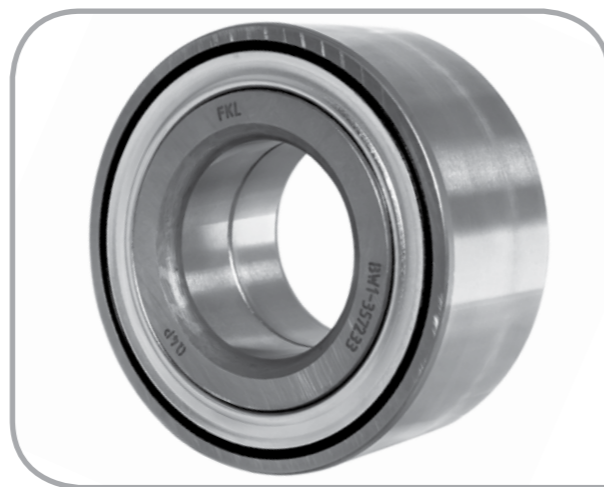
Double Row Angular Contact Ball Bearing

Dvoredni kuglični ležaj sa kosim dodirom

BW1 - 357233

COMPARATIVE DESIGNATION UPOREDNE OZNAKE

FKL	BW1 - 357233
FAG	548083
FERSA	F16026
JOHN DEERE	DC 23368
SNR	GB44386
	GB40582
	GB40714
	GB40878
	R159.14



Dimensions/Osnovne mere (mm)

d	D	B	α	kg
35	72,043	33	40°	0,553

Typical Applications:

Potencijalno mesto ugradnje i primena:

Disc Harrows/Tanjirače
Disc Mowers/Kosačice



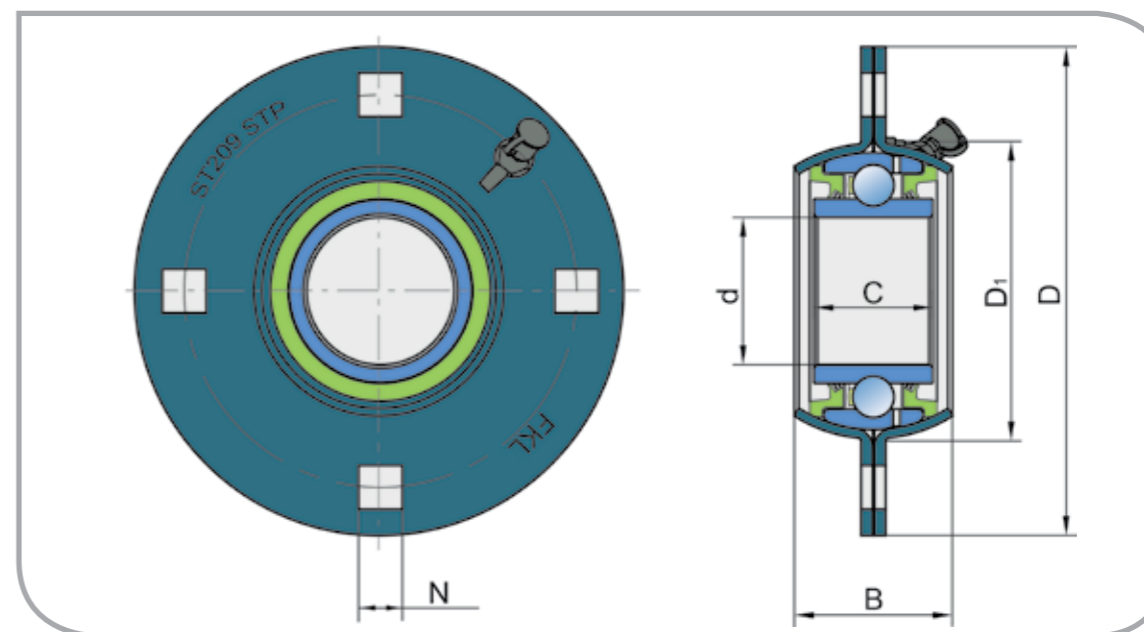
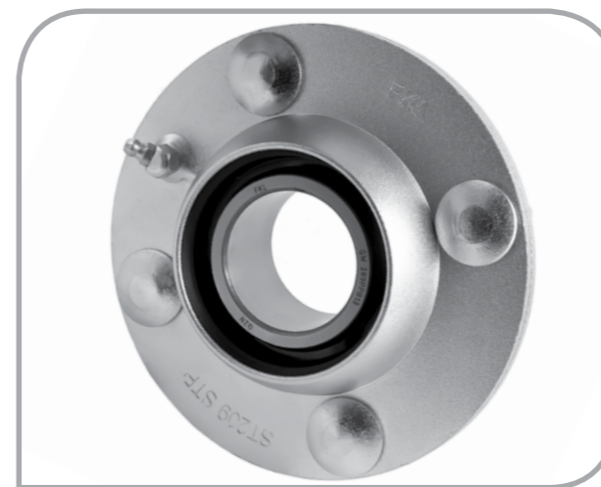
Bearing Unit with Pressed Steel Housing

Ležajna jedinica sa limenim kućištem

GWST 209PPB13

COMPARATIVE DESIGNATION UPOREDNE OZNAKE

FKL	GWST 209PPB13
BCA	DS209TTR13
GREAT PLAINS	822-207C
JOHN DEERE	AA28184
	AA29784
	AA30941
	ST 209 1 3/4
KENT	FC2286



Dimensions/Osnovne mere (mm)

d	D	D ₁	B	C	N	kg
45,24	150	93	48,5	36,53	13,5	1,836

Typical Applications:

Potencijalno mesto ugradnje i primena:

Disc Harrows
Tanjirače



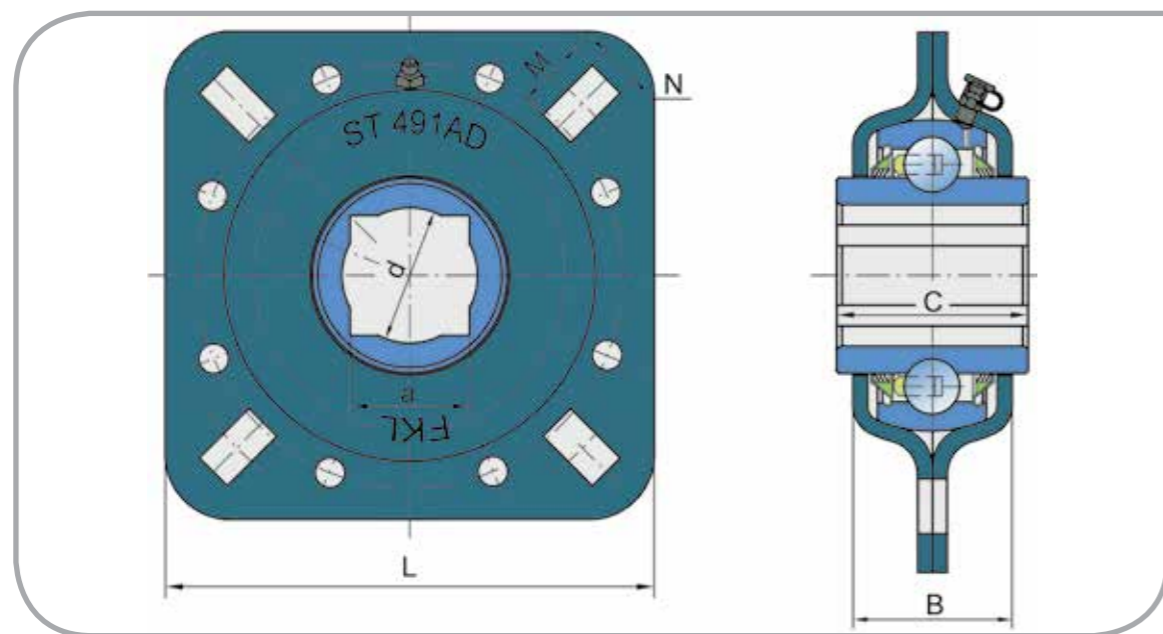
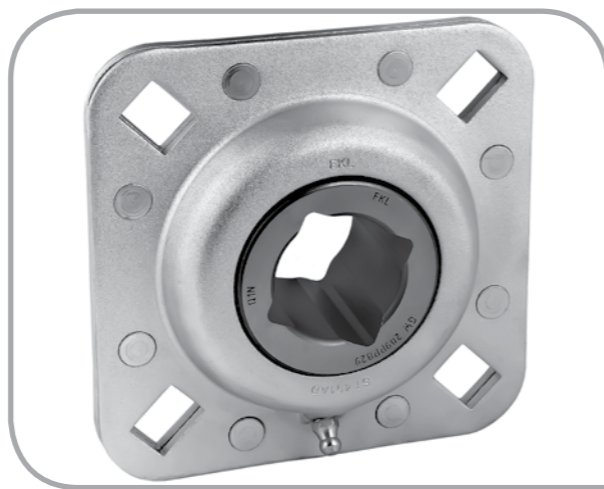
Bearing Unit with Pressed Steel Housing

Ležajna jedinica sa limenim kućištem

GWST 209PPB29

COMPARATIVE DESIGNATION UPOREDNE OZNAKE

FKL	GWST 209PPB29
FAFNIR	DHU1145209
GREAT PLAINS	822-209C
KRAUSE	40-128 ST 209 1 1/45Q
KUHN	FD209RK
NEW HOLLAND	84151226
QUINSTAR	311007



Dimensions/Osnovne mere (mm)

a	d	B	C	L	M	N	kg
32,8	35,5	39	42,85	127	17,5	13,5	1,63

Typical Applications:

Potencijalno mesto ugradnje i primena:

Disc Harrows
Tanjirače



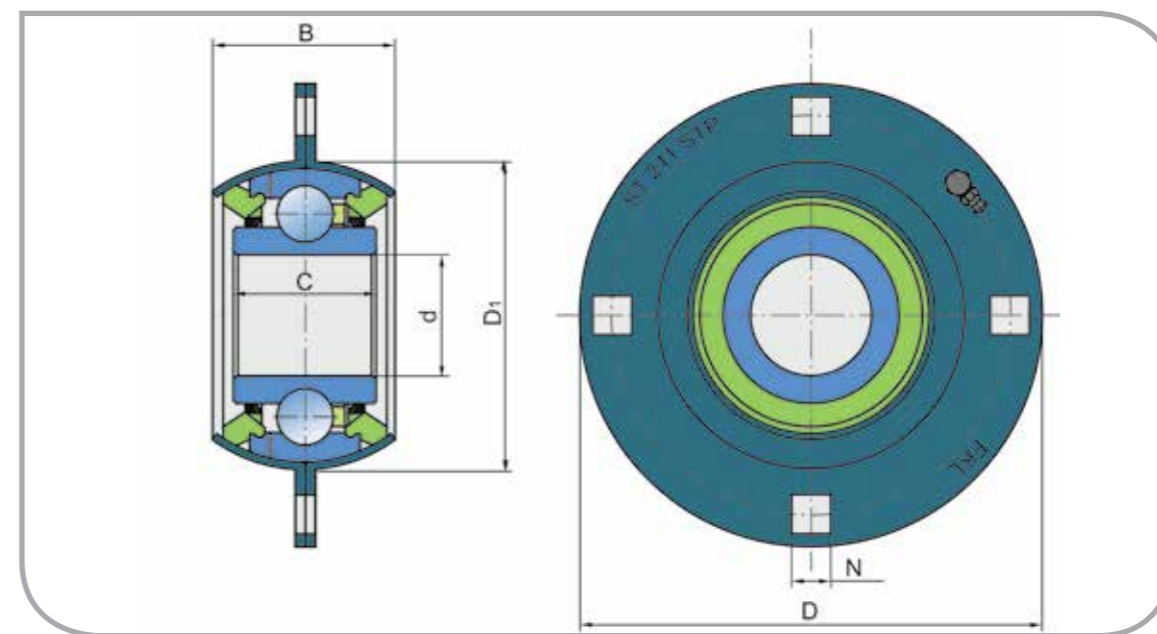
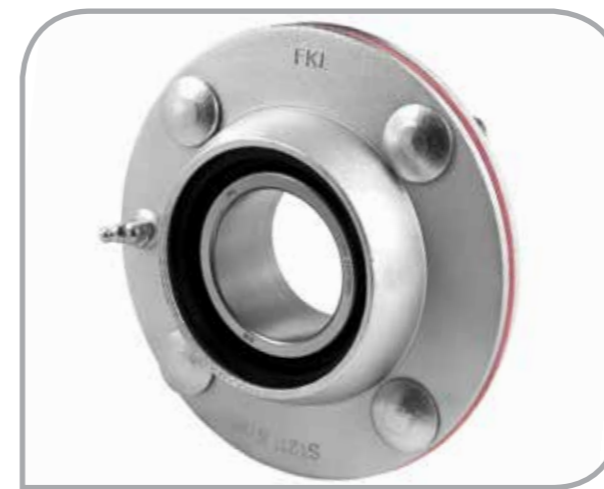
Bearing Unit with Pressed Steel Housing

Ležajna jedinica sa limenim kućištem

GWST 211PPB20

COMPARATIVE DESIGNATION UPOREDNE OZNAKE

FKL	GWST 211PPB20
BCA	DS211TTR20
JOHN DEERE	AA27172 AA28186 AA30942 ST 211-2 3/16



Dimensions/Osnovne mere (mm)

d	D	D ₁	B	C	N	kg
55,7	167	109	56,5	39,7	13,5	2,706

Typical Applications:

Potencijalno mesto ugradnje i primena:

Disc Harrows
Tanjirače

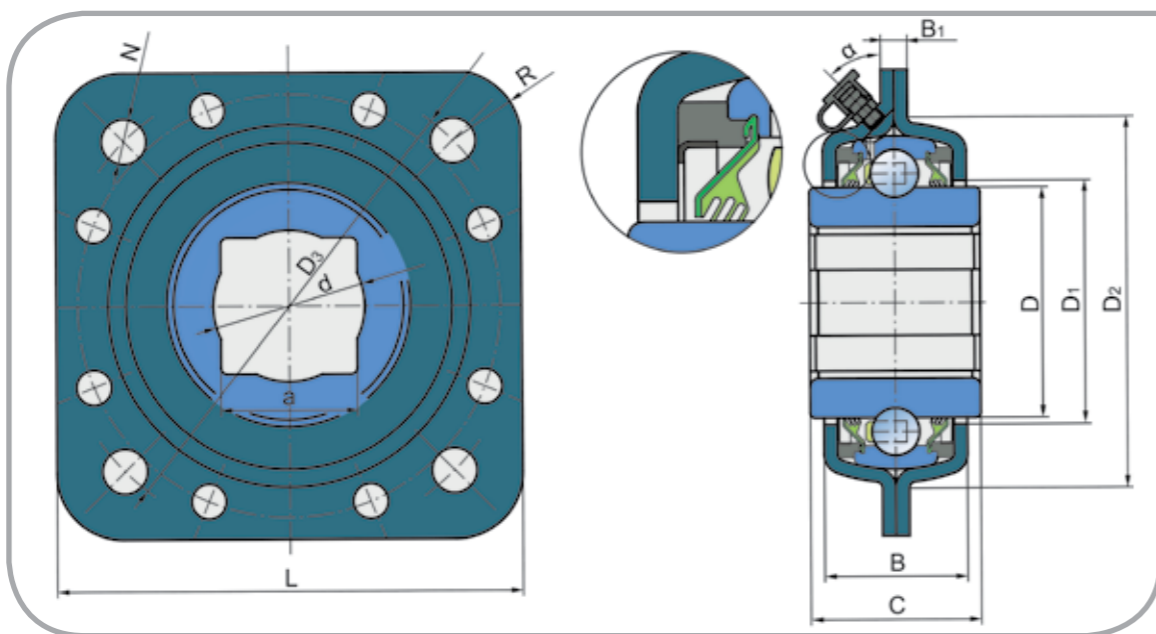
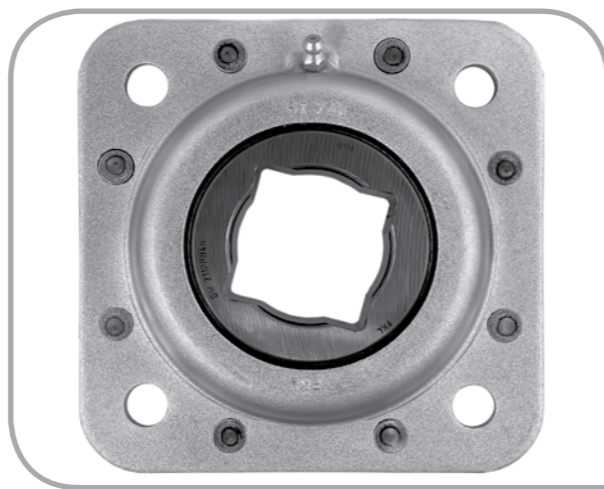


Bearing Unit with Pressed Steel Housing

Ležajna jedinica sa limenim kućištem

Disc Harrow Solutions
Ležajevi tanjirače

GWST 211PPBP40.X3



Dimensions/Osnovne mere (mm)

a	d	C	B	B ₁	D	D ₁	D ₂	D ₃	L	N	R	α	kg
40,5	45,5	55,55	44,7	8	69,1	73,2	113	140	140	13,5	20	45°	2,26

Typical Applications:

Potencijalno mesto ugradnje i primena:

Disc Harrows
Tanjirače

Ball Bearing

Kuglični ležaj



Disc Harrow Solutions
Ležajevi tanjirače

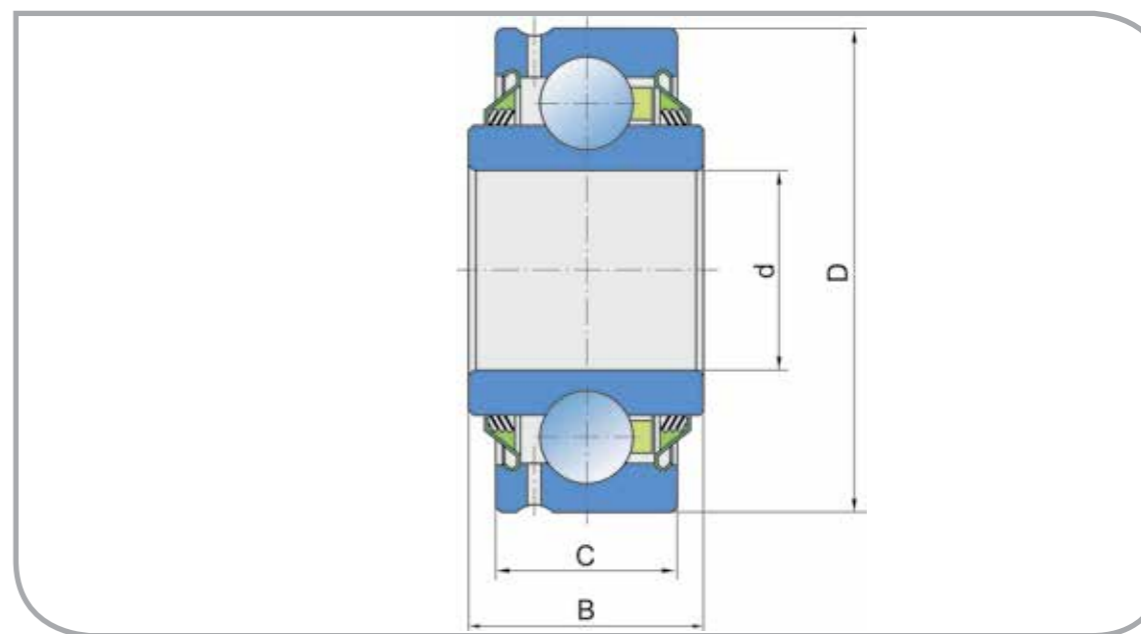
GW 211PP25



COMPARATIVE DESIGNATION

UPOREDNE OZNAKE

FKL	GW 211PP25
BCA	DC211TTR21
CHALLENGER	GW 211PP25
FAFNIR	GW 211PP37
INA	GW 211PP25
LANDOLL	140464
PEER	GW 211PP25
SUNFLOWER	SN3091



Dimensions/Osnovne mere (mm)

d	D	B	C	kg
45,212	100	44,5	33,34	1,11

Typical Applications:

Potencijalno mesto ugradnje i primena:

Disc Harrows
Tanjirače

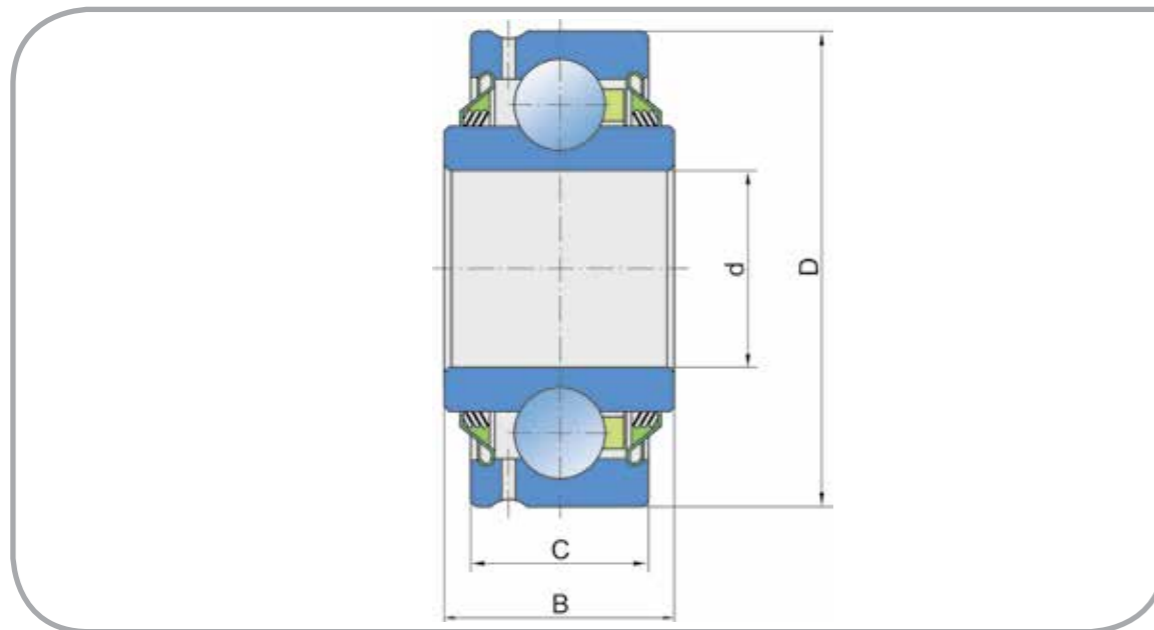


Ball Bearing Kuglični ležaj

GW 211PP202

COMPARATIVE DESIGNATION UPOREDNE OZNAKE

FKL	GW 211PP202
INA	GW211PP202
SUMMERS	8K2000



Dimensions/Osnovne mere (mm)

d	D	B	C	kg
51,308	100	60,3	33,34	1,11

Typical Applications:

Potencijalno mesto ugradnje i primena:

Disc Harrows
Tanjirače

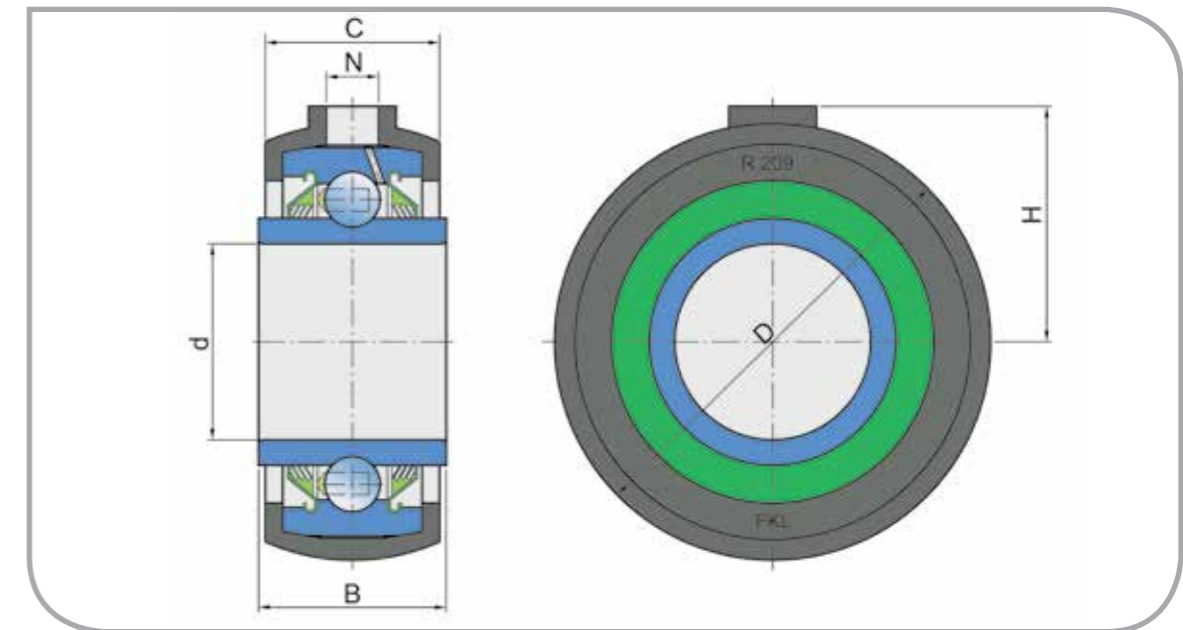


Rubberized Bearing Unit Gumirana ležajna jedinica

GWR 209PPB30

COMPARATIVE DESIGNATION UPOREDNE OZNAKE

FKL	GWR 209PPB30
KABAT	1927-11-0
KRAUSE	40-167 Q4008350
PEER	GW209PPB23+BR209RH



Dimensions/Osnovne mere (mm)

d	D	B	H	C	N	kg
44,958	101	42,86	54	40	12,7	0,92

Typical Applications:

Potencijalno mesto ugradnje i primena:

Disc Harrows
Tanjirače

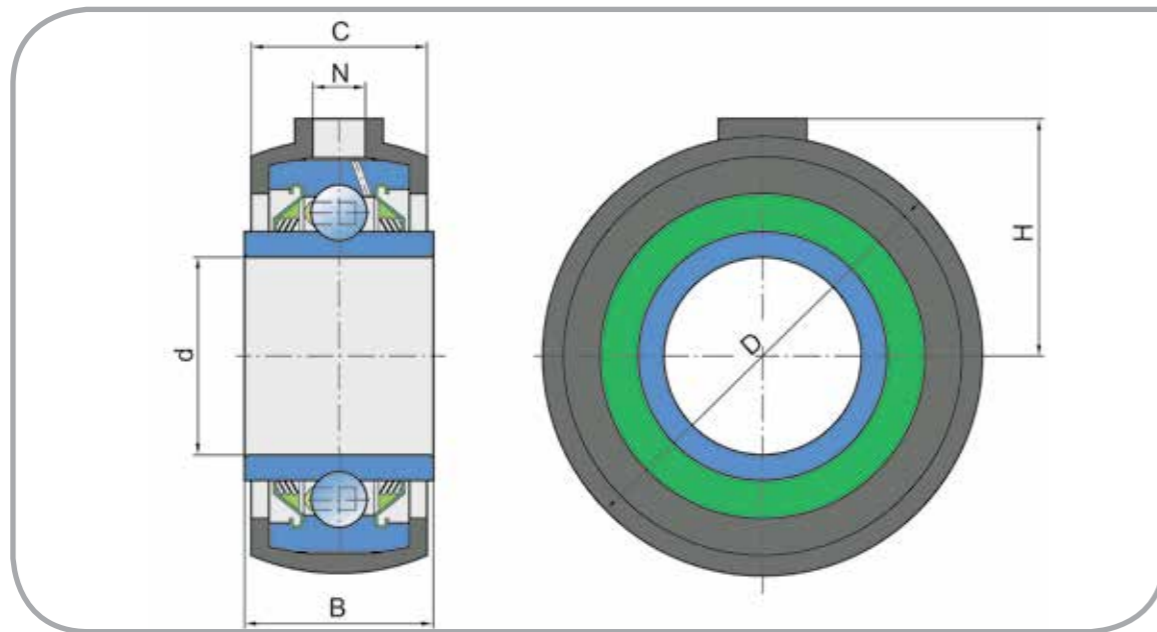


Rubberized Bearing Unit Gumirana ležajna jedinica

GWR 211PPB21

COMPARATIVE DESIGNATION UPOREDNE OZNAKE

FKL	GWR 211PPB21
GREAT PLAINS	822-026
KRAUSE	40-173 2410-11-0 CD5211TTR23/3A
NTN	CD5211TTR23
PEER	GW211PPB21+BR211RH



Dimensions/Osnovne mere (mm)

d	D	B	H	C	N	kg
45,212	113	53,975	60,5	44,7	12,7	1,620

Typical Applications:

Potencijalno mesto ugradnje i primena:

Disc Harrows
Tanjirače

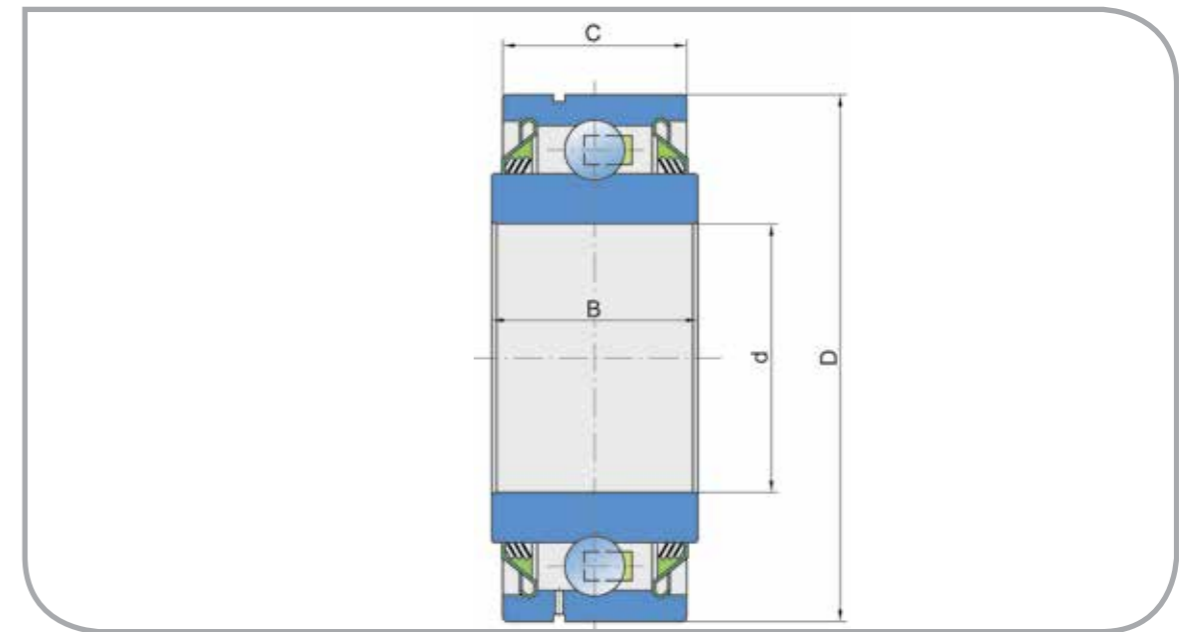
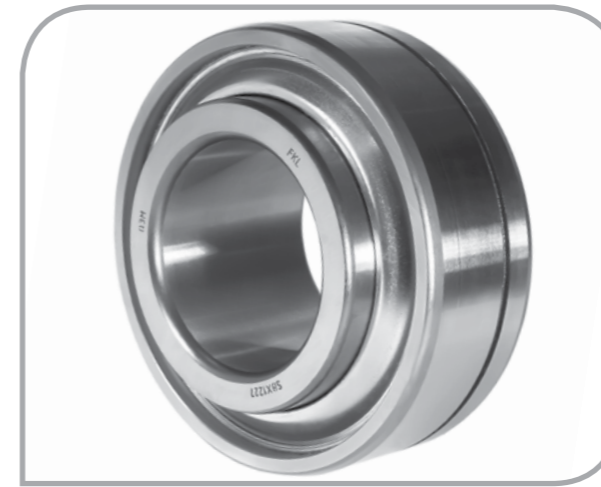


Ball Bearing Kuglični ležaj

SBX 1227

COMPARATIVE DESIGNATION UPOREDNE OZNAKE

FKL	SBX 1227
BCA	DS212TTRBN
CASE	409556A1
FAFNIR	GW212PPRBN
NTN	SBX1227LLSQ1



Dimensions/Osnovne mere (mm)

d	D	B	C	kg
55,562	110	55,562	38,3	1,8

Typical Applications:

Potencijalno mesto ugradnje i primena:

Disc Harrows
Tanjirače



Trunnion Bearing Unit

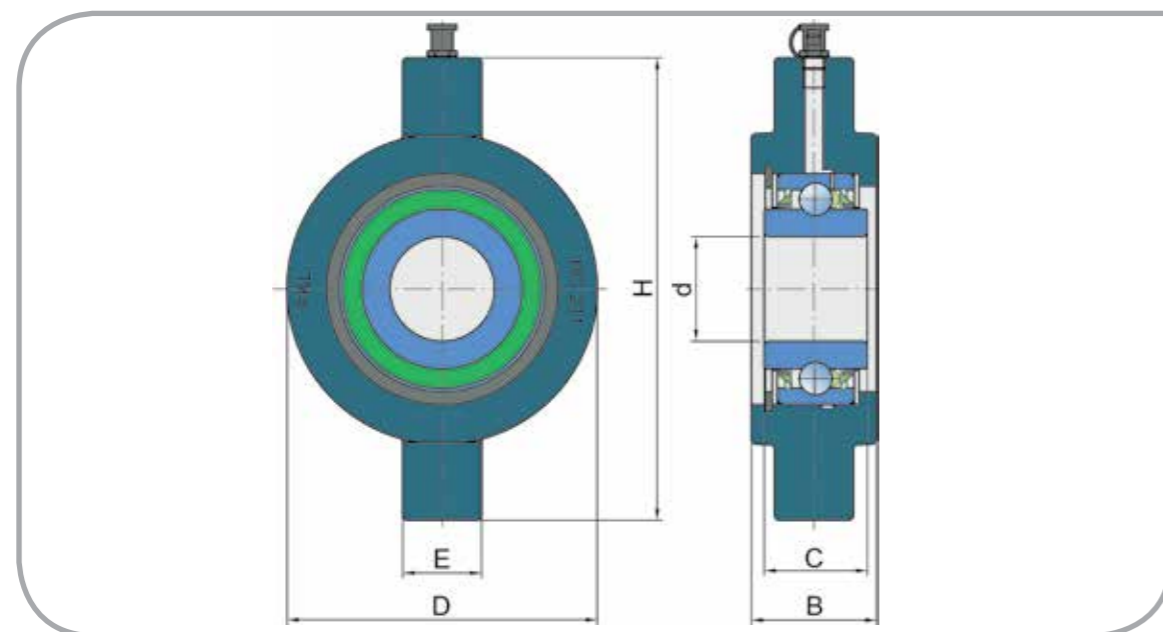
Podešljiva ležajna jedinica

GWHG 211PP25

COMPARATIVE DESIGNATION

UPOREDNE OZNAKE

FKL	GWHG 211PP25
CHALLENGER	SN30390
LANDOLL	140477
SUNFLOWER	SN3090



Dimensions/Osnovne mere (mm)

d	B	H	D	E	C	kg
45,212	54	200	134	34	44,5	4,88

Typical Applications:

Potencijalno mesto ugradnje i primena:

Disc Harrows
Tanjirače



Trunnion Bearing Unit

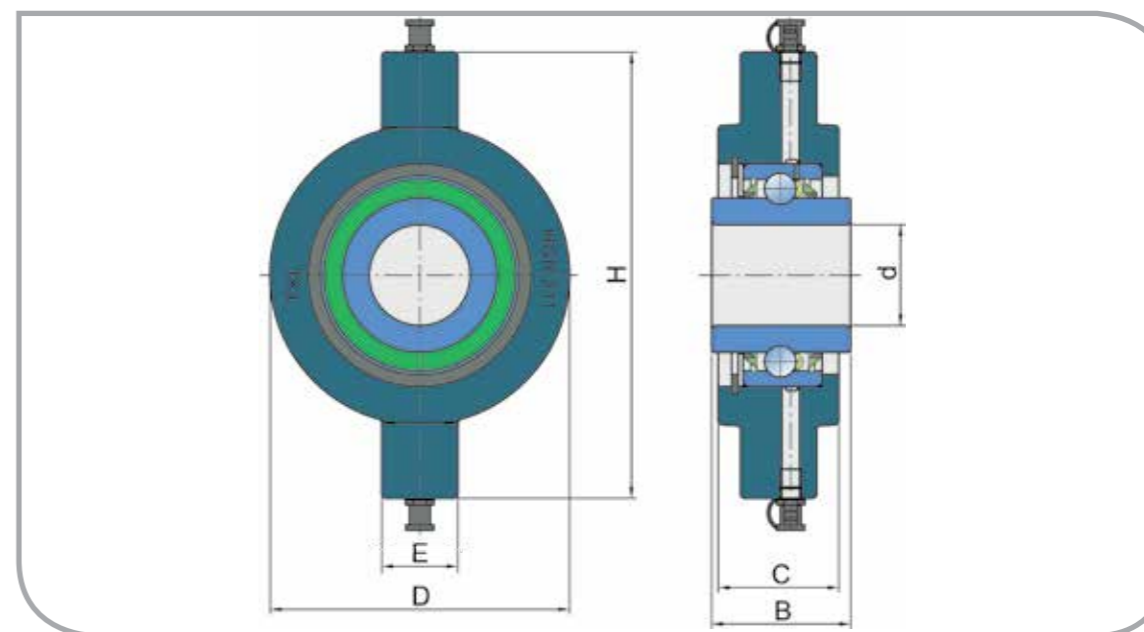
Podešljiva ležajna jedinica

GWHGR 211PP202

COMPARATIVE DESIGNATION

UPOREDNE OZNAKE

FKL	GWHGR 211PP202
SUMMERS	8K2050



Dimensions/Osnovne mere (mm)

d	B	H	D	E	C	kg
51,308	60,3	202,5	129,5	37	57	4,8

Typical Applications:

Potencijalno mesto ugradnje i primena:

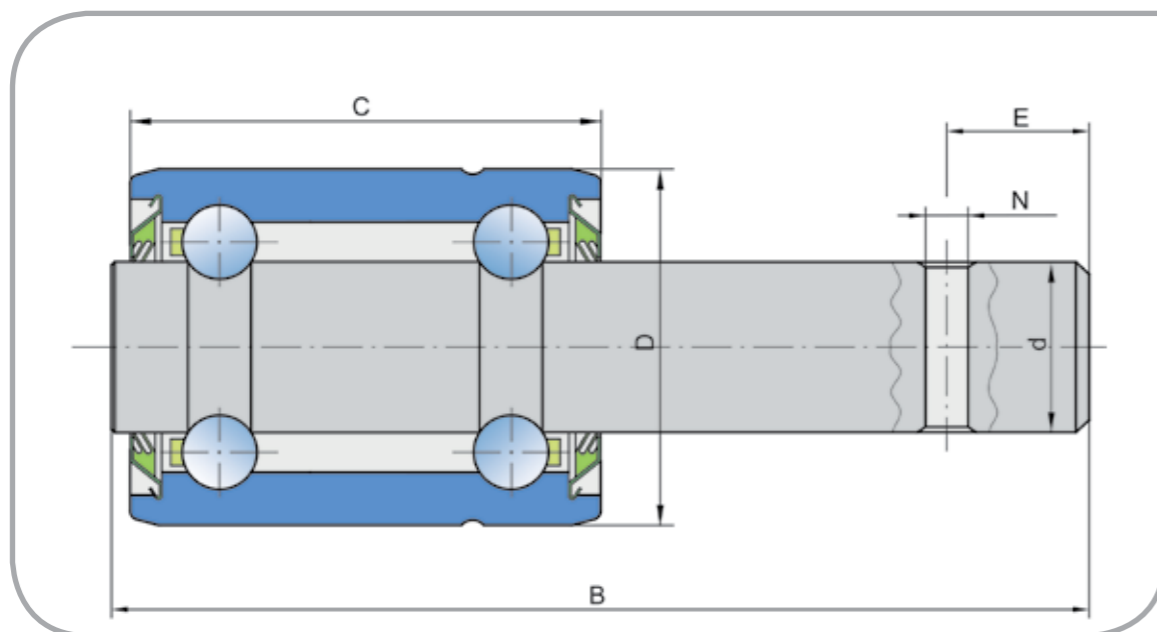
Disc Harrows
Tanjirače

Double Row Ball Bearing with Shaft Dvoredni kuglični ležaj sa osovnicom

VP-16/40/74,5

COMPARATIVE DESIGNATION UPOREDNE OZNAKE

FKL	VP-16/40/74,5
GASPARDO	56345058 F04100040
KUHN	N00861A0



Dimensions/Osnovne mere (mm)

d	D	B	C	N	E	kg
15,918	40	74,5	38,9	6,5	12,95	0,352

Typical Applications:

Potencijalno mesto ugradnje i primena:

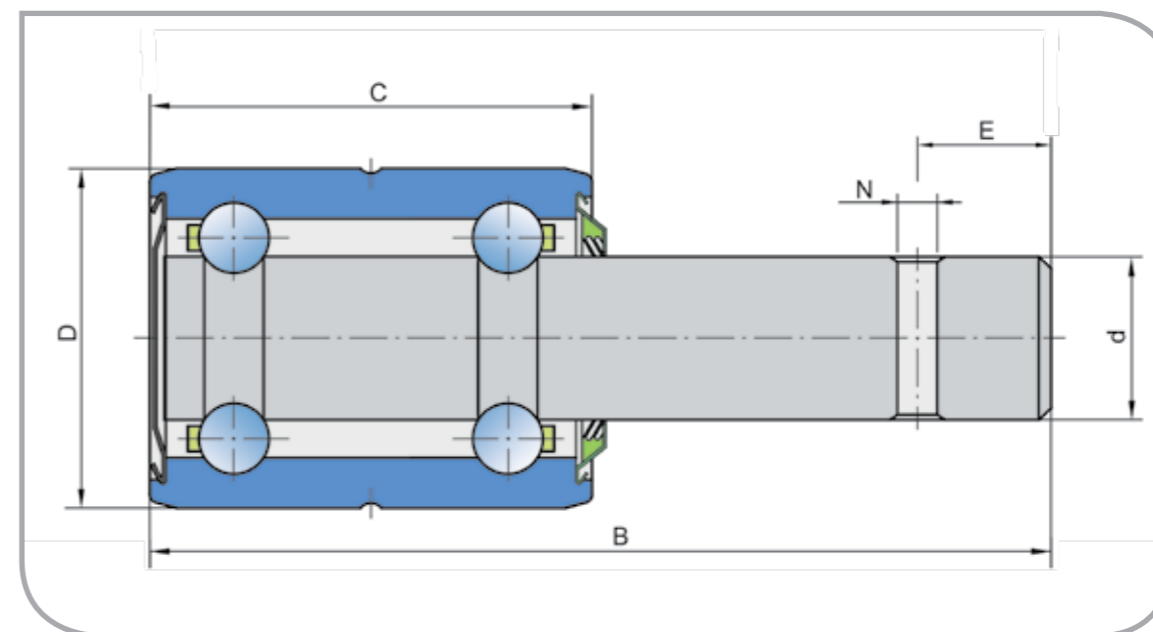
Seeding Machine
Sejačica

Double Row Ball Bearing with Shaft Dvoredni kuglični ležaj sa osovnicom

885152

COMPARATIVE DESIGNATION UPOREDNE OZNAKE

FKL	885152
CASE	128558C91 IH ST 022-096
GASPARDO	F04100041R
JOHN DEERE	AA21015 AA35741
KINZE	GA2022
TORO	751290 AC70593891



Dimensions/Osnovne mere (mm)

d	D	B	C	N	E	kg
15,918	30	69,3	38,9	6,5	11,2	0,178

Typical Applications:

Potencijalno mesto ugradnje i primena:

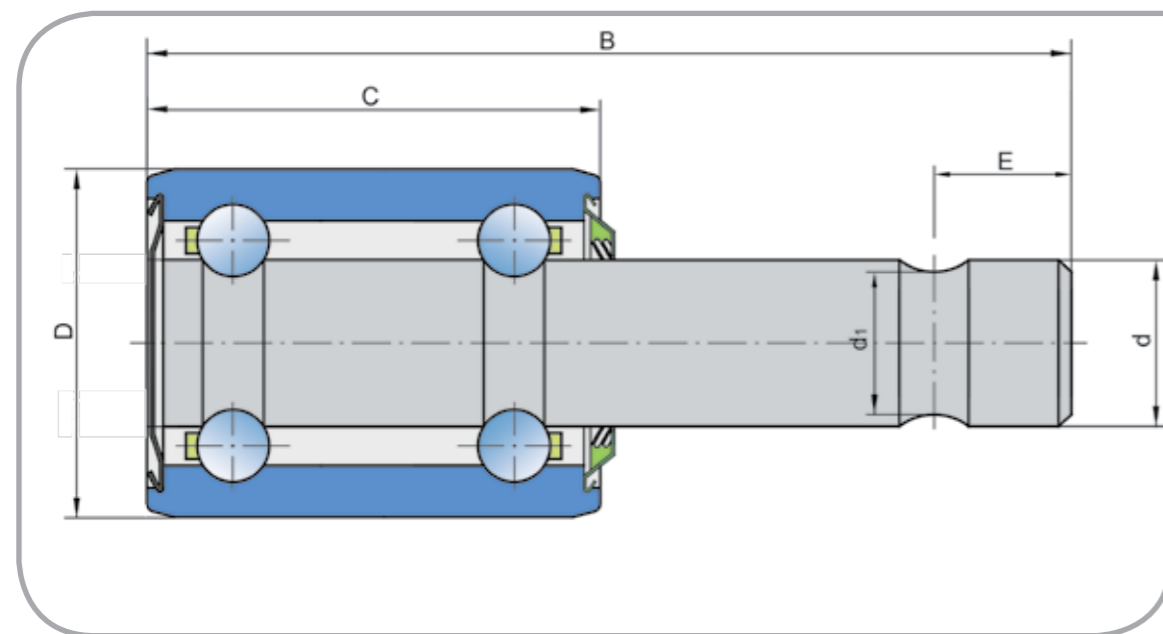
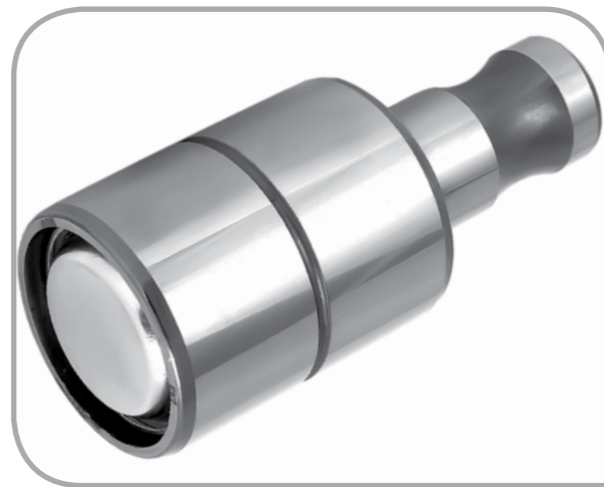
Seeding Machine
Sejačica

Double Row Ball Bearing with Shaft Dvoredni kuglični ležaj sa osovnicom

885154B

COMPARATIVE DESIGNATION UPOREDNE OZNAKE

FKL	885154B
BCA	885154B
GREAT PLAINS	822-023C
HORSCH	00310131
JOHN DEERE	AA49161 AN131668
KOYO	IB069305
MASSEY FERGUSON	446612MI
NOBLE	369851
TIMKEN	885154B



Dimensions/Osnovne mere (mm)

d	d ₁	D	B	C	E	kg
15,918	13,4	30	69,3	38,9	11,2	0,182

Typical Applications:

Potencijalno mesto ugradnje i primena:

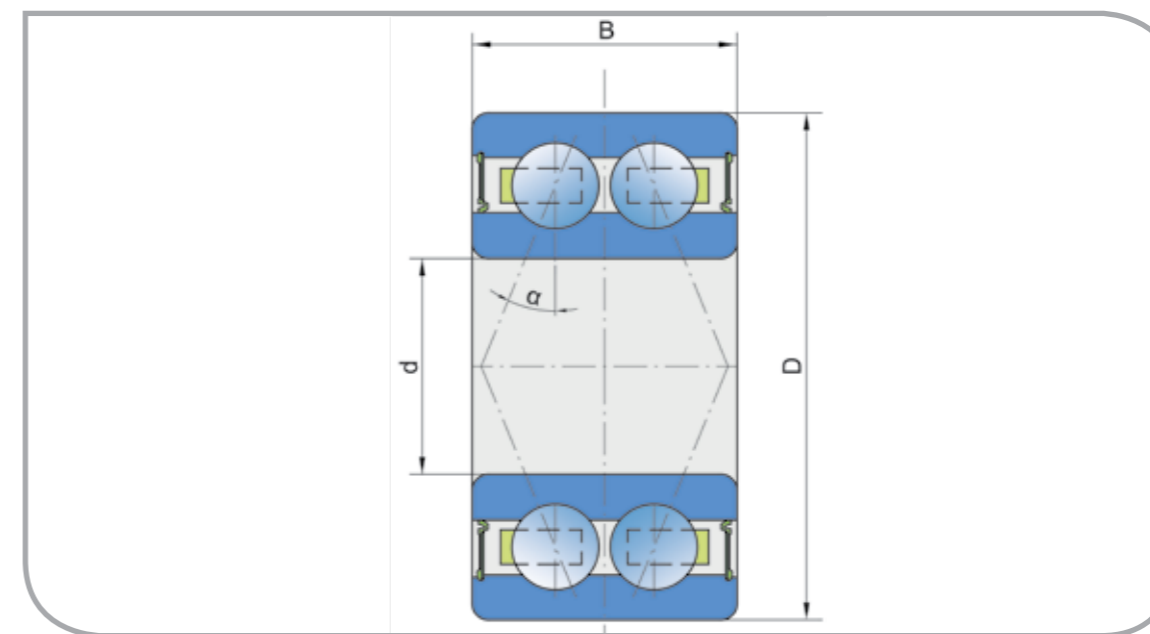
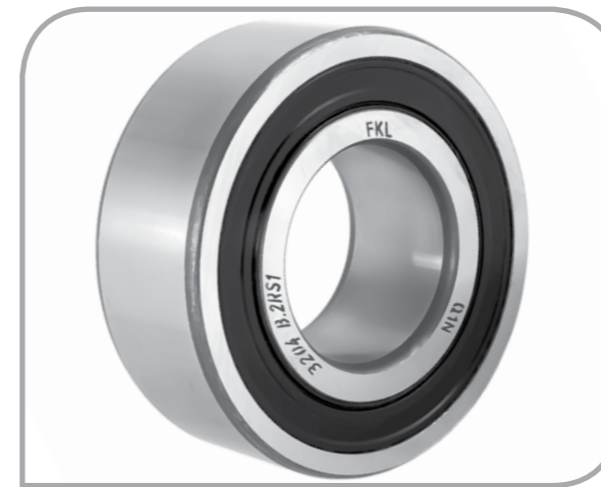
Seeding Machine
Sejačica

Double Row Angular Contact Ball Bearing Dvoredni kuglični ležaj sa kosim dodirom

3204 B.2RS1

COMPARATIVE DESIGNATION UPOREDNE OZNAKE

FKL	3204 B.2RS1
FAG	3204 BD-2HRS-TVH
INA	3204-BD-XL-2HRS-TVH
MONOSEM	7014A
NSK	3204 B.2RS.TNG
NTN	5204C LLU
SNR	5204 EEG15



Dimensions/Osnovne mere (mm)

d	D	B	α	kg
20	47	20,6	25°	0,16

Typical Applications:

Potencijalno mesto ugradnje i primena:

Seeding Machine
Sejačica

Double Row Angular Contact Ball Bearing

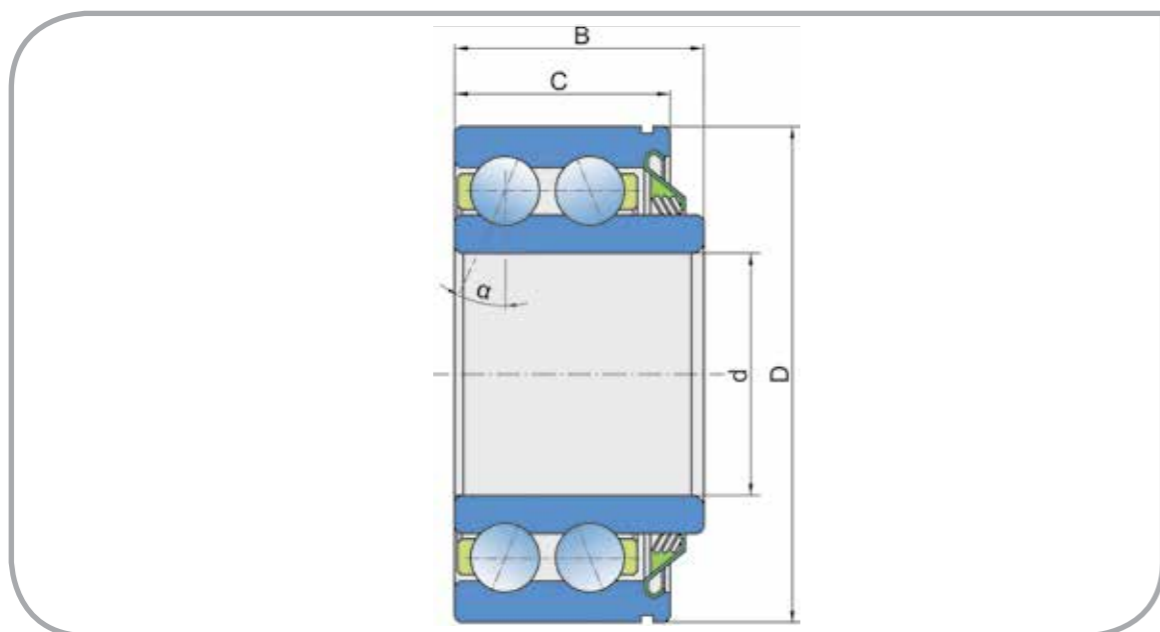
Dvoredni kuglični ležaj sa kosim dodirom

3204 T

COMPARATIVE DESIGNATION

UPOREDNE OZNAKE

FKL	3204 T
FAG	F-110390
PFI	PF 110390
ROSTER	UNI01341
SEMEATO	9100-4109



Dimensions/Osnovne mere (mm)

d	D	B	C	α	kg
20	47	25,2	22	25°	0,185

Typical Applications:

Potencijalno mesto ugradnje i primena:

Seeding Machine
Sejačica

Double Row Angular Contact Ball Bearing

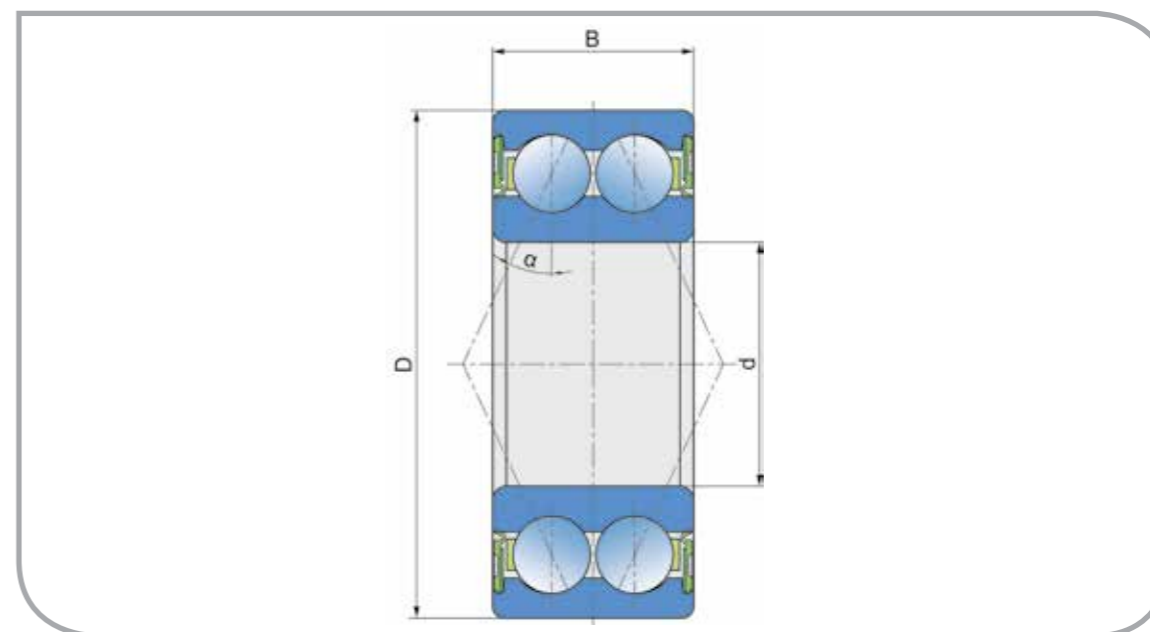
Dvoredni kuglični ležaj sa kosim dodirom

3205 B.2RS1

COMPARATIVE DESIGNATION

UPOREDNE OZNAKE

FKL	3205 B.2RS1
FAG	3205 BD-2HRS-TVH
INA	3205-BD-XL-2HRS-TVH
JOHN DEERE	AZ64070
LEMKEN	3198708
SNR	5205 EEG15



Dimensions/Osnovne mere (mm)

d	D	B	α	kg
25	52	20,6	25°	0,18

Typical Applications:

Potencijalno mesto ugradnje i primena:

Seeding Machine
Sejačica

Double Row Angular Contact Ball Bearing

Dvoredni kuglični ležaj sa kosim dodirom

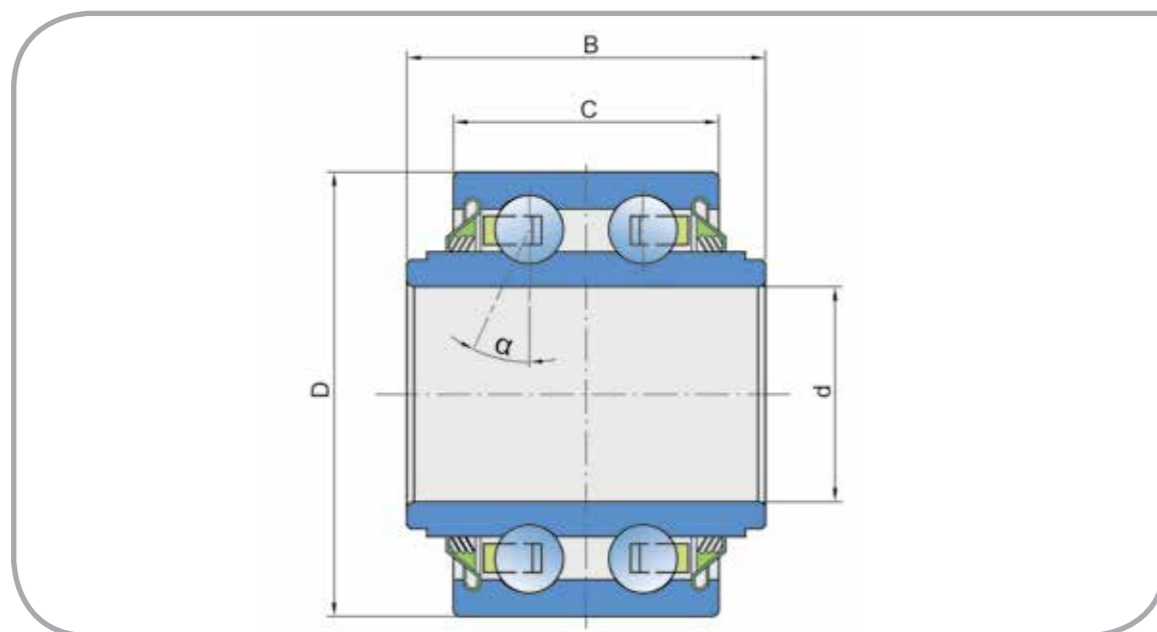
5206 KPP3



COMPARATIVE DESIGNATION

UPOREDNE OZNAKE

FKL	5206 KPP3
FAFNIR	5206KPP3
GREAT PLAINS	822-215C
KINZE	GA8603 GA8641
PEER	5206KPP3



Dimensions/Osnovne mere (mm)

d	D	B	C	α	kg
30,150	62	50	37	25°	0,50

Typical Applications:

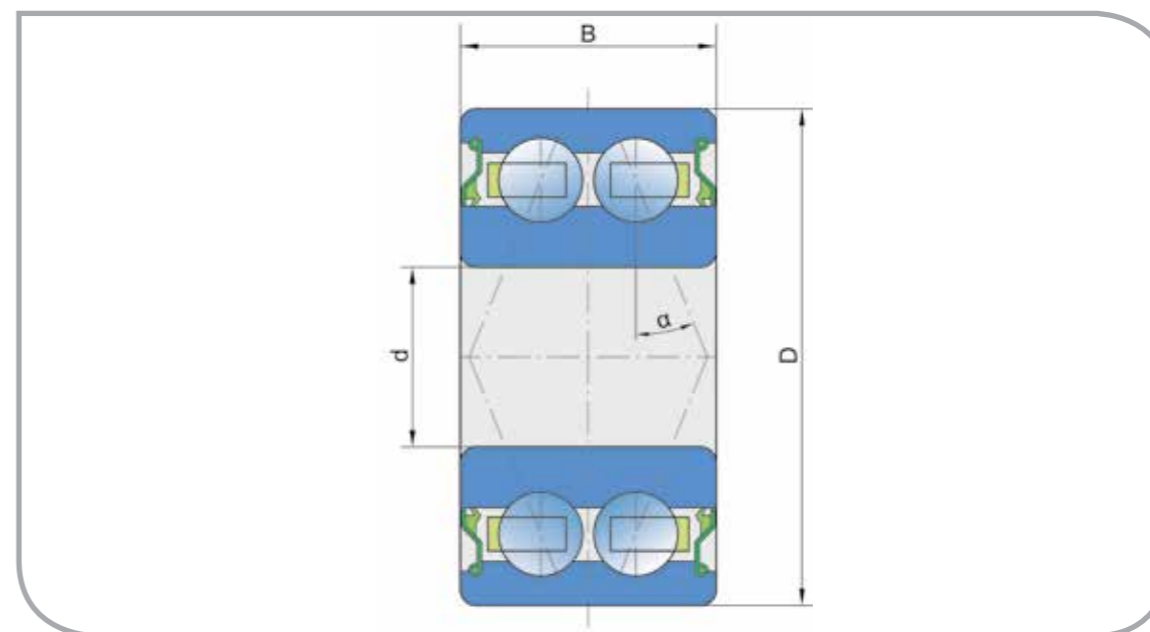
Potencijalno mesto ugradnje i primena:

Seeding Machine
Sejačica

Double Row Angular Contact Ball Bearing

Dvoredni kuglični ležaj sa kosim dodirom

SL 3303 2S



Dimensions/Osnovne mere (mm)

d	D	B	α	kg
17	47	24,2	25°	0,20

Typical Applications:

Potencijalno mesto ugradnje i primena:

Seeding Machine
Sejačica

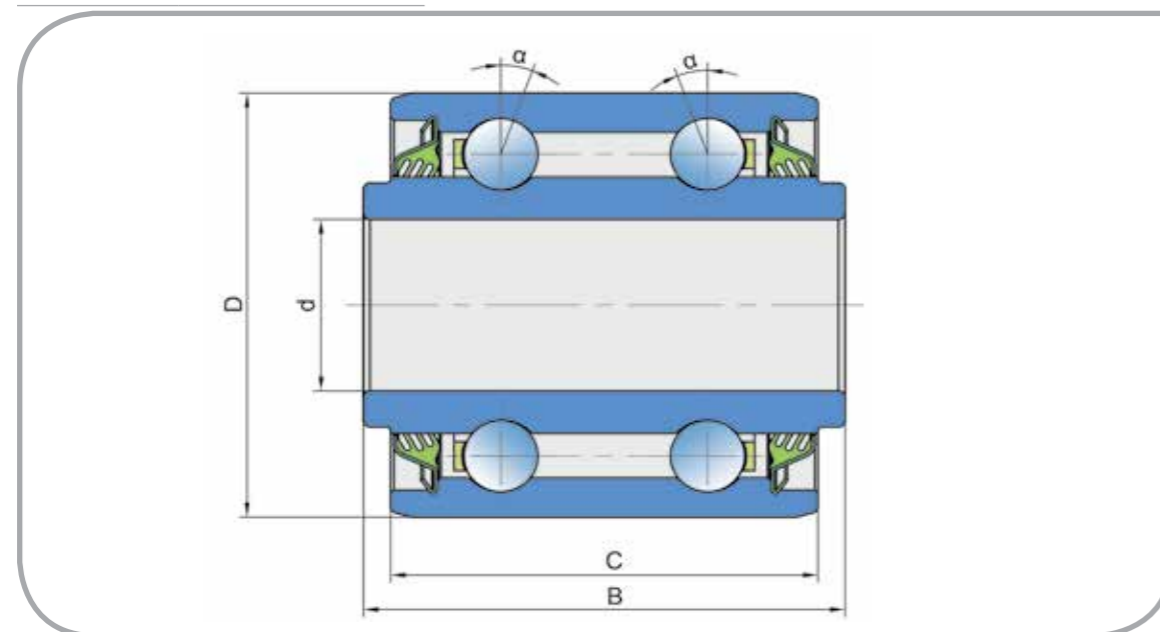
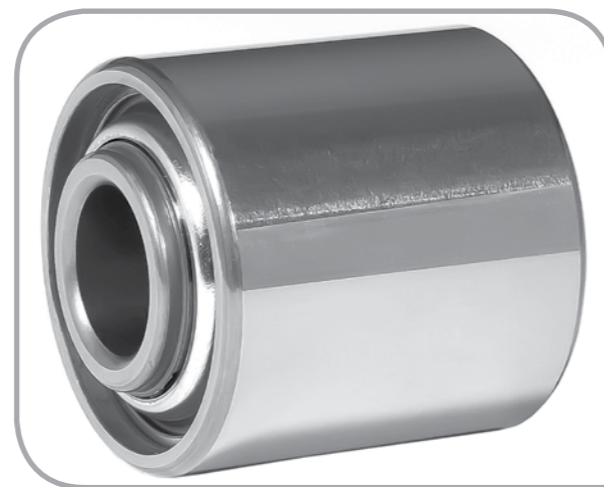
Double Row Angular Contact Ball Bearing

Dvoredni kuglični ležaj sa kosim dodirom

COMPARATIVE DESIGNATION

UPOREDNE OZNAKE

FKL	SL 5203 2T
BCA	5203VVAN
CASE	10161048; 306007A1; 324461A1
GASPARDO	F04100150R
GREAT PLAINS	822-170C
JOHN DEERE	AN212132
KINZE	GA6171; GA6615
KOYO	DAC164044-2RS
KRAUSE	40-156
KUHN	81101640
MONOSEM	7140A
PEER	5203KPP2
SUNFLOWER	SL 5203 2T
TIMKEN	5203KYY2
FKL	SL 5203/17-2T
PEER	5203KPP52-R-A121



Dimensions/Osnovne mere (mm)

Designation/Oznaka	d	D	B	C	α	kg
SL 5203 2T	16,195	40	43,88	38,93	20°	0,218
SL 5203 2T-A	16,256	40	43,88	38,93	20°	0,218
SL 5203/17-2T	16,8	40	43,88	38,93	20°	0,218

Typical Applications:

Potencijalno mesto ugradnje i primena:

Seeding Machine
Sejačica

Double Row Angular Contact Ball Bearing

Dvoredni kuglični ležaj sa kosim dodirom

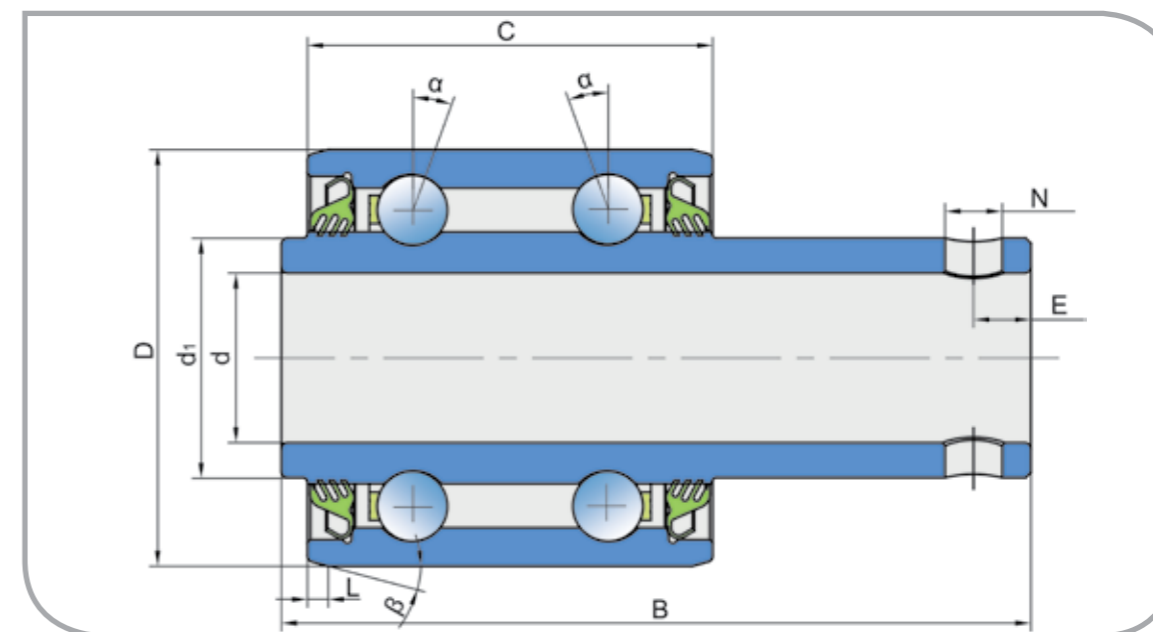
SL2 5203-2T



COMPARATIVE DESIGNATION

UPOREDNE OZNAKE

FKL	SL2 5203-2T
GASPARDO	F04100149



Dimensions/Osnovne mere (mm)

d	d ₁	D	B	C	N	E	L	α	β	kg
16,3	23	40	72	38,93	5,5	5,5	2	20°	15°	0,267

Typical Applications:

Potencijalno mesto ugradnje i primena:

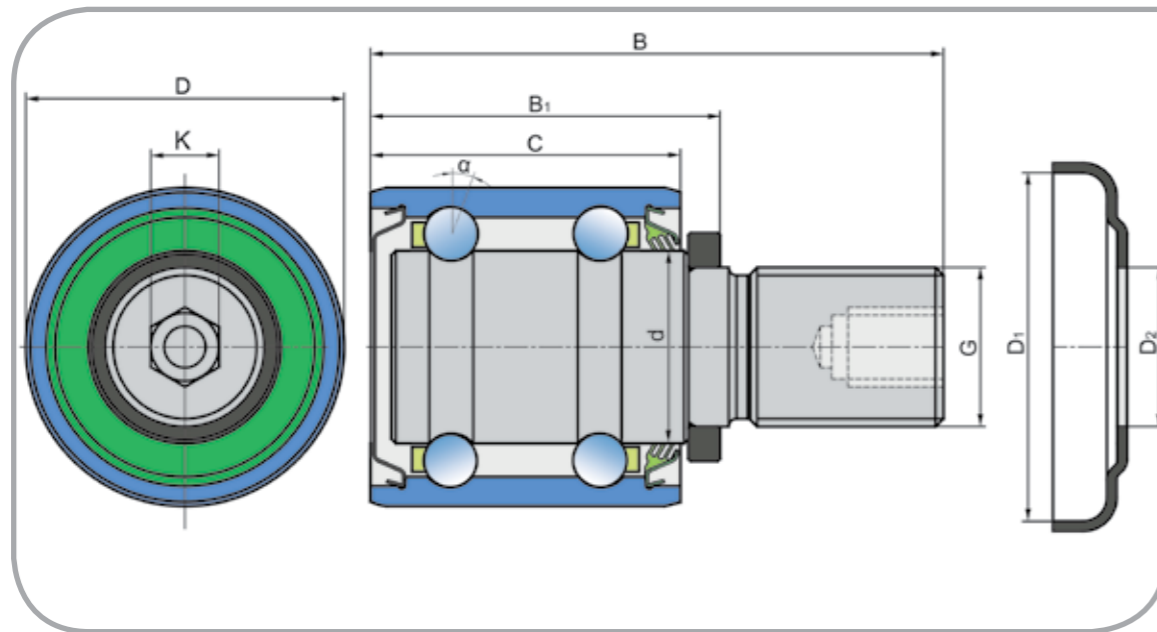
Seeding Machine
Sejačica

Double Row Ball Bearing with Shaft Dvoredni kuglični ležaj sa osovnicom

VP-M20x1.5/40/72-R (L)

COMPARATIVE DESIGNATION UPOREDNE OZNAKE

FKL	VP-M20x1.5/40/72-R (L)
TEHNIKA-SERVICE, Russia	VP-M20x1.5/40/72-R (L)



Dimensions/Osnovne mere (mm)

d	D	D ₁	D ₂	B	B ₁	C	G	K	α	kg
24,2	40	43,8	20,5	72	44	38,93	M20x1.5	10	20°	0,44

Typical Applications:

Potencijalno mesto ugradnje i primena:

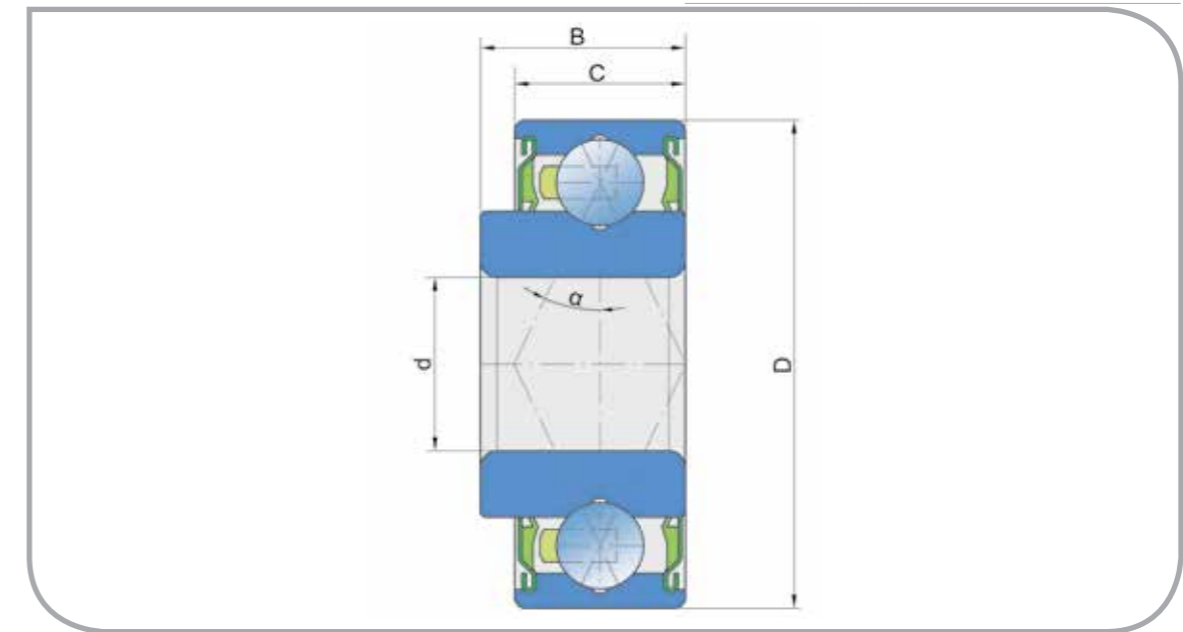
Seeding Machine
Sejačica

Four Point Contact Ball Bearing Kuglični ležaj sa dodirom u četiri tačke

06C04-2Z

COMPARATIVE DESIGNATION UPOREDNE OZNAKE

FKL	06C04-2Z
CASE	1258017C91; 1268017C91; 145161C91; 492757R91; 493532R91
FAG	00240199
FAFNIR	204RY2
FITS TYPE	550-302
GREAT PLAINS	820-003C; 822-011C
HORSCH	00240199; 00509465
JOHN DEERE	AA21480
KINZE	GA2014
KRAUSE	40-138
NSK	F556129; QJ6204503LSLB-1
PEER	204JY3
SMA	851-SMA204RY2
SNR	204AGR; 204 XAGR
TIMKEN	204PY3



Dimensions/Osnovne mere (mm)

d	D	B	C	α	kg
16	45,2	18,67	15,4	25°	0,23

Typical Applications:

Potencijalno mesto ugradnje i primena:

Seeding Machine
Sejačica



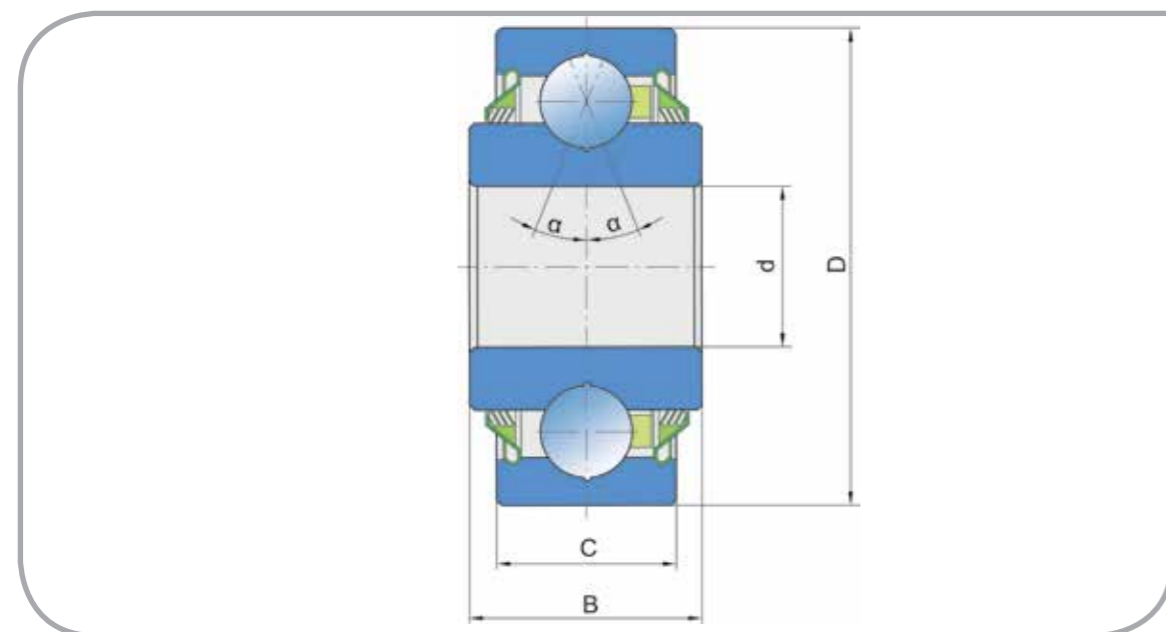
Four Point Contact Ball Bearing

Kuglični ležaj sa dodirrom u četiri tačke

Q 203PP.AH02

COMPARATIVE DESIGNATION UPOREDNE OZNAKE

FKL	Q 203PP.AH02
CASE	2149261C91 666624R91
FAFNIR	BB203KRR2
IHC	2149261C91 666624R91
JOHN DEERE	AA281357 AA82881 AH63076 AN141120 AN142670 AN281357
MASSEY FERGUSON	832651M1
NTN	SX 0361LLC541PX1/3AQ2
PEER	BB203KRR2 BB203KRR2FD



Dimensions/Osnovne mere (mm)

d	D	B	C	α	kg
16,256	40	18,29	12	25°	0,08

Typical Applications:

Potencijalno mesto ugradnje i primena:

Seeding Machine
Sejačica



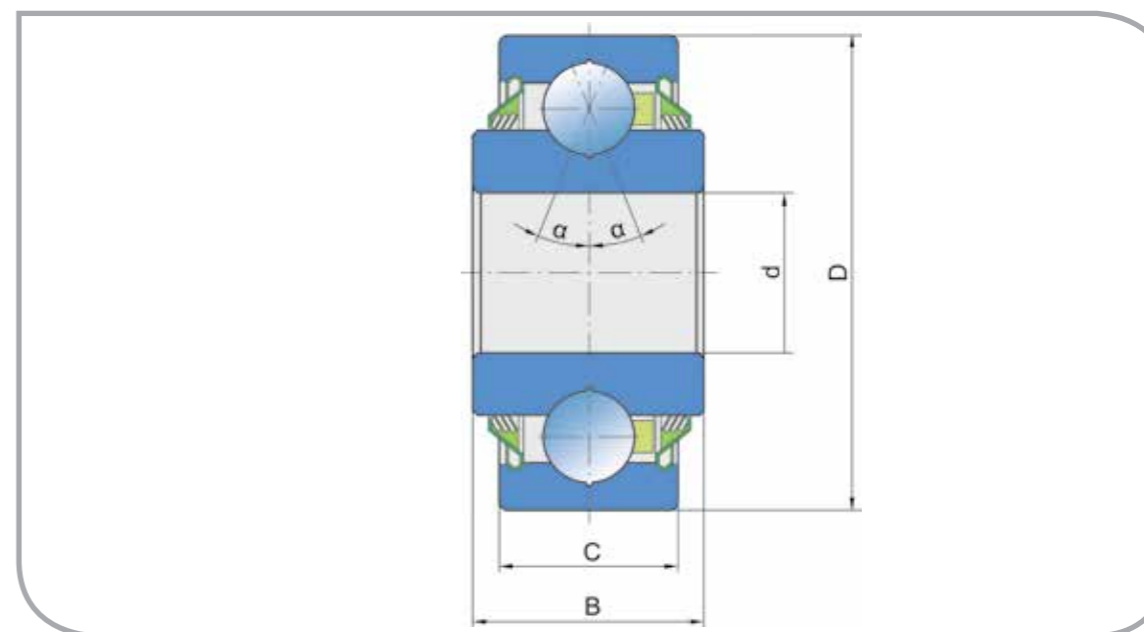
Four Point Contact Ball Bearing

Kuglični ležaj sa dodirrom u četiri tačke

Q 203PP.AH05

COMPARATIVE DESIGNATION UPOREDNE OZNAKE

FKL	Q 203PP.AH05
LEMKEN	3199369
PEER	BB203KRR5
TIMKEN	BB203KRR5



Dimensions/Osnovne mere (mm)

d	D	B	C	α	kg
13,081	40	18,29	12	25°	0,091

Typical Applications:

Potencijalno mesto ugradnje i primena:

Seeding Machine
Sejačica



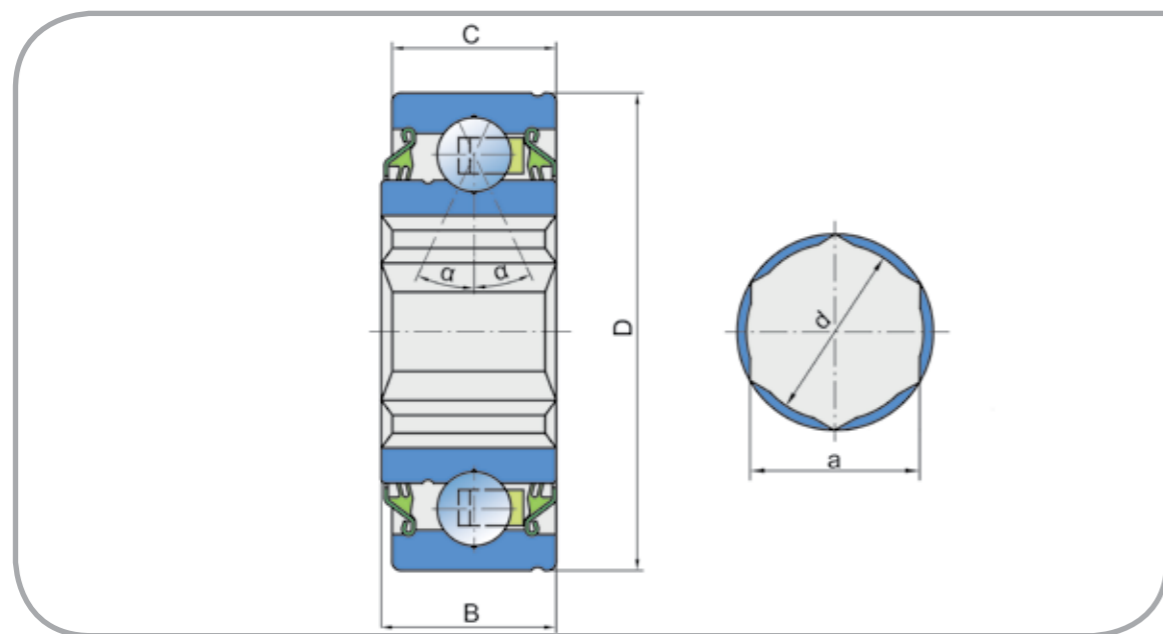
Four Point Contact Ball Bearing

Kuglični ležaj sa dodirrom u četiri tačke

SL 53-014-2T

COMPARATIVE DESIGNATION
UPOREDNE OZNAKE

FKL	SL 53-014-2T
GREAT PLAINS	188-006V



Dimensions/Osnovne mere (mm)

a	d	D	B	C	α	kg
22,25	22,80	53,086	19,40	18,288	25°	0,174

Typical Applications:

Potencijalno mesto ugradnje i primena:

Seeding Machine
Sejačica



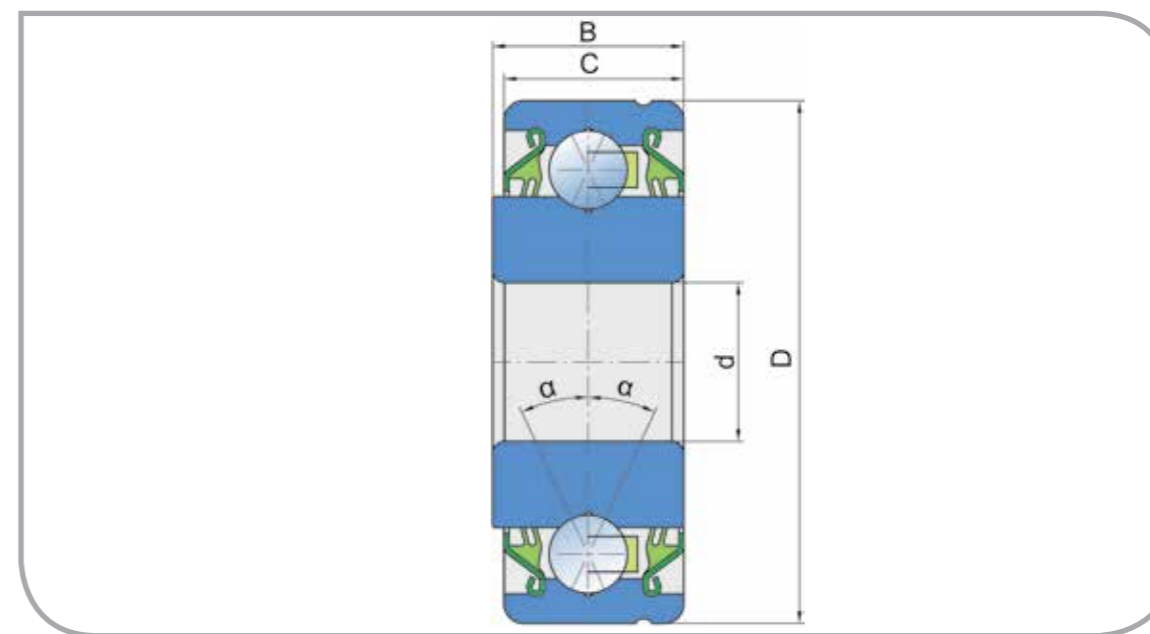
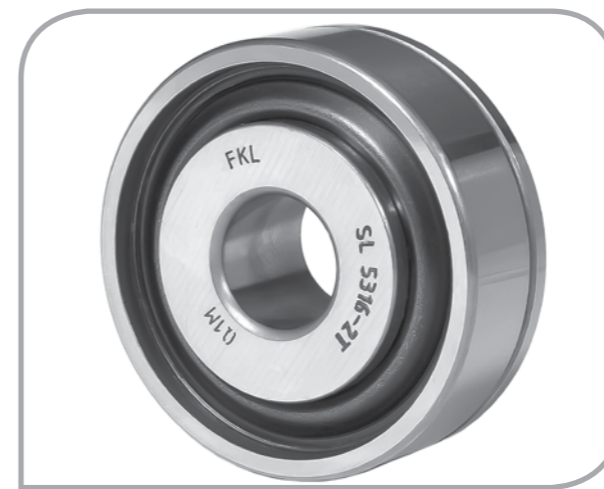
Four Point Contact Ball Bearing

Kuglični ležaj sa dodirrom u četiri tačke

SL 5316 2T

COMPARATIVE DESIGNATION
UPOREDNE OZNAKE

FKL	SL 5316 2T
BCA	205VWH
CHINA	205GP
FAFNIR	205DDS-5/8 AA205DD
GREAT PLAINS	188-001V
KRAUSE	40-172



Dimensions/Osnovne mere (mm)

d	D	B	C	α	kg
16	53,086	19,4	18,288	25°	0,28

Typical Applications:

Potencijalno mesto ugradnje i primena:

Seeding Machine
Sejačica



Four Point Contact Ball Bearing

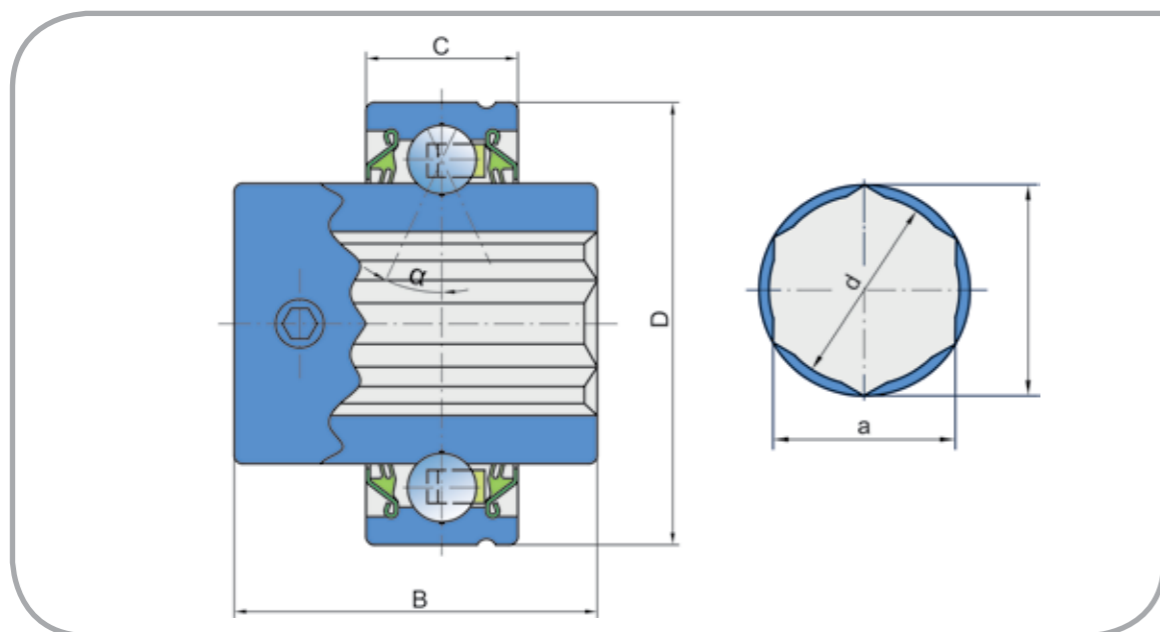
Kuglični ležaj sa dodirom u četiri tačke

SLE 53-012-2T

COMPARATIVE DESIGNATION

UPOREDNE OZNAKE

FKL	SLE 53-012-2T
GREAT PLAINS	188-009V



Dimensions/Osnovne mere (mm)

a	d	D	B	C	α	kg
19,18	19,6	53,086	43,5	18,288	25°	0,299

Typical Applications:

Potencijalno mesto ugradnje i primena:

Seeding Machine
Sejačica



Four Point Contact Ball Bearing

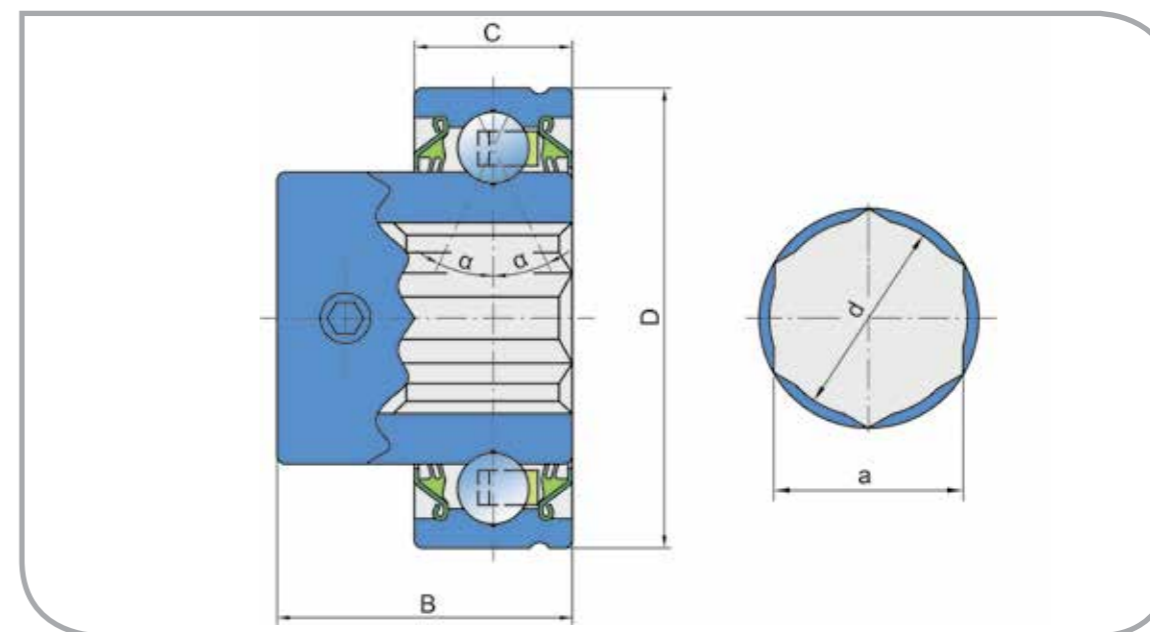
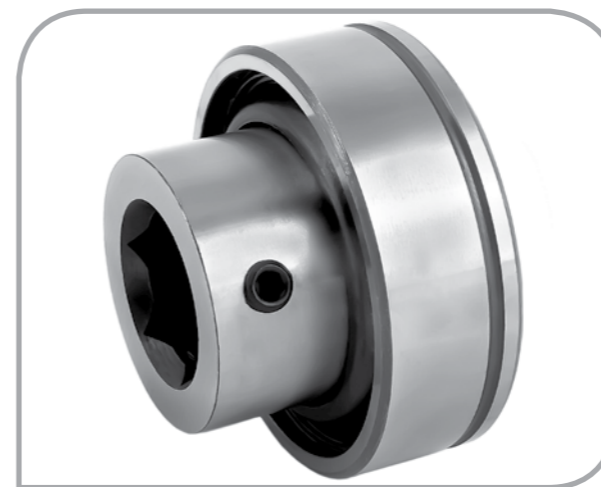
Kuglični ležaj sa dodirom u četiri tačke

SLU 53-012-2T

COMPARATIVE DESIGNATION

UPOREDNE OZNAKE

FKL	SLU 53-012-2T
GREAT PLAINS	188-004V



Dimensions/Osnovne mere (mm)

a	d	D	B	C	α	kg
19,18	19,6	53,086	34,2	18,288	25°	0,257

Typical Applications:

Potencijalno mesto ugradnje i primena:

Seeding Machine
Sejačica

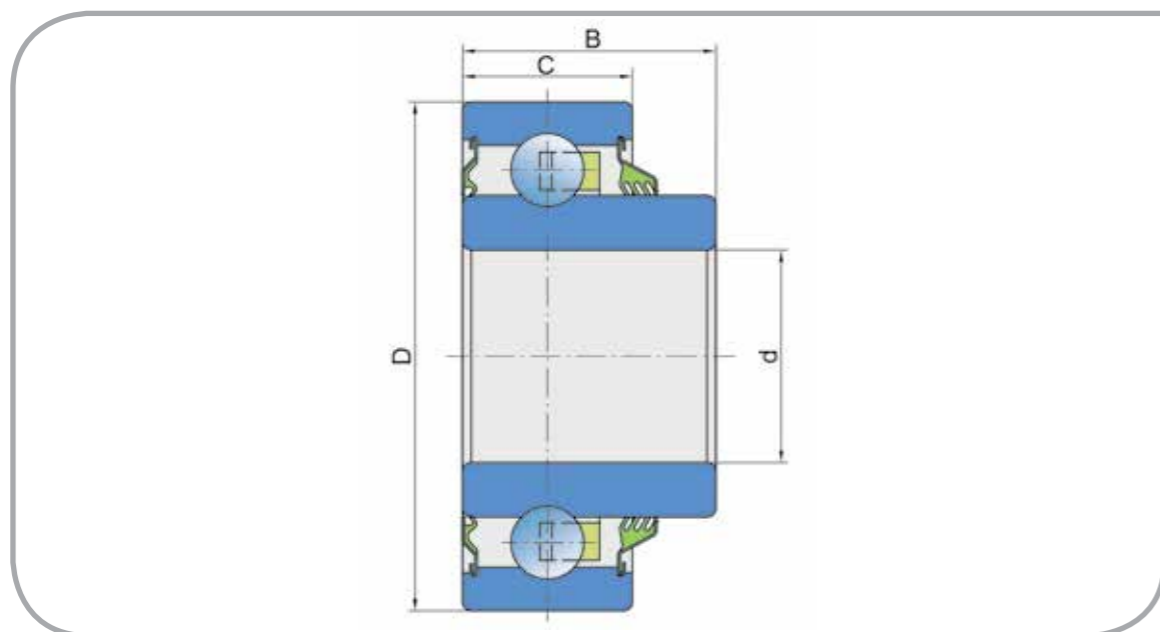


Ball Bearing Kuglični ležaj

205KRP2

COMPARATIVE DESIGNATION UPOREDNE OZNAKE

FKL	205KRP2
BCA	205RVA
CASE	1337998C1
FAFNIR	205KRP2
INA	205KRP2
JOHN DEERE	A27002 B30418
MARLISS	702020
NTN	SBX05A55
SUNFLOWER	SNDR30005
TIMKEN	205RRAN



Dimensions/Osnovne mere (mm)

d	D	B	C	kg
19,202	52	21,1	15	0,28

Typical Applications:

Potencijalno mesto ugradnje i primena:

Seeding Machine
Sejačica

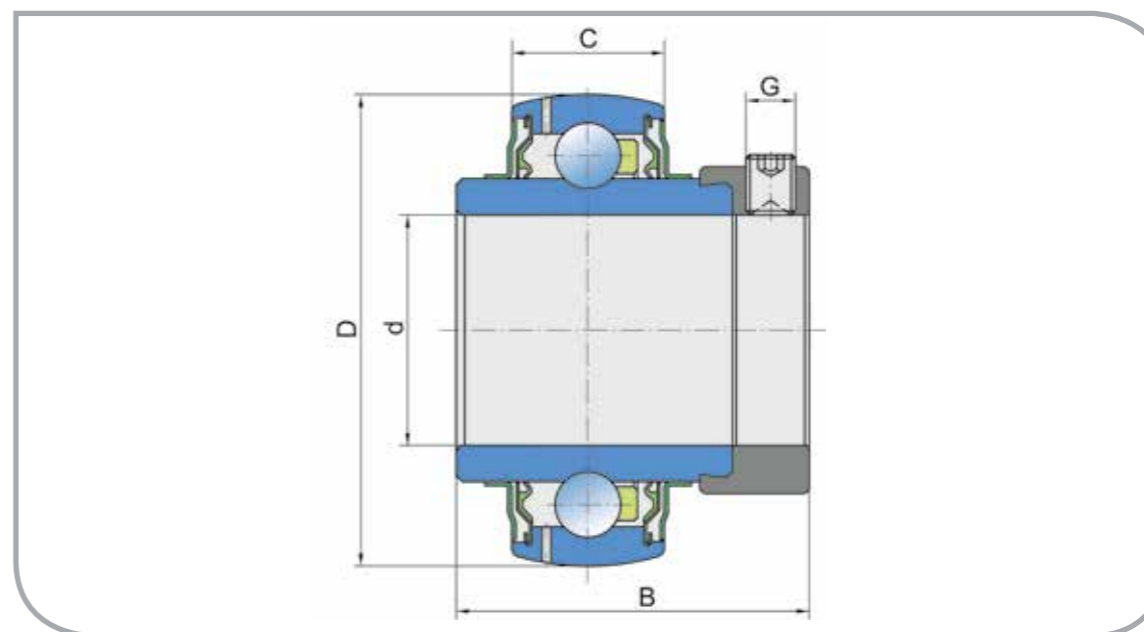
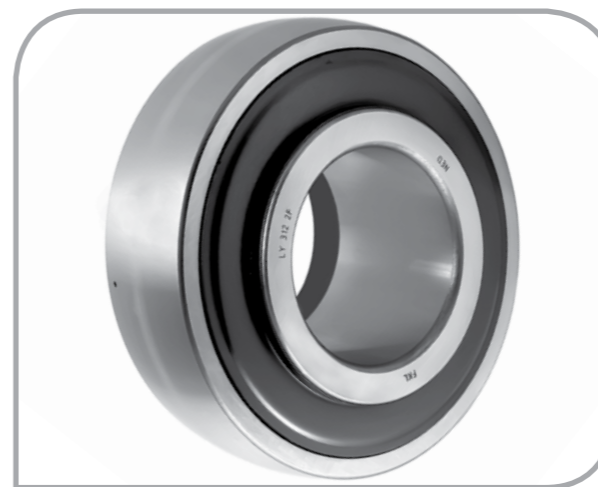


Ball Bearing Kuglični ležaj

LY 312 2F

COMPARATIVE DESIGNATION UPOREDNE OZNAKE

FKL	LY 312 2F
HORSCH	00240039
INA	GNE60KRRB
SNR	EX 312 G2



Dimensions/Osnovne mere (mm)

d	D	B	C	G	kg
60	130	68,4	33	10x1	2,97

Typical Applications:

Potencijalno mesto ugradnje i primena:

Seeding Machine
Sejačica

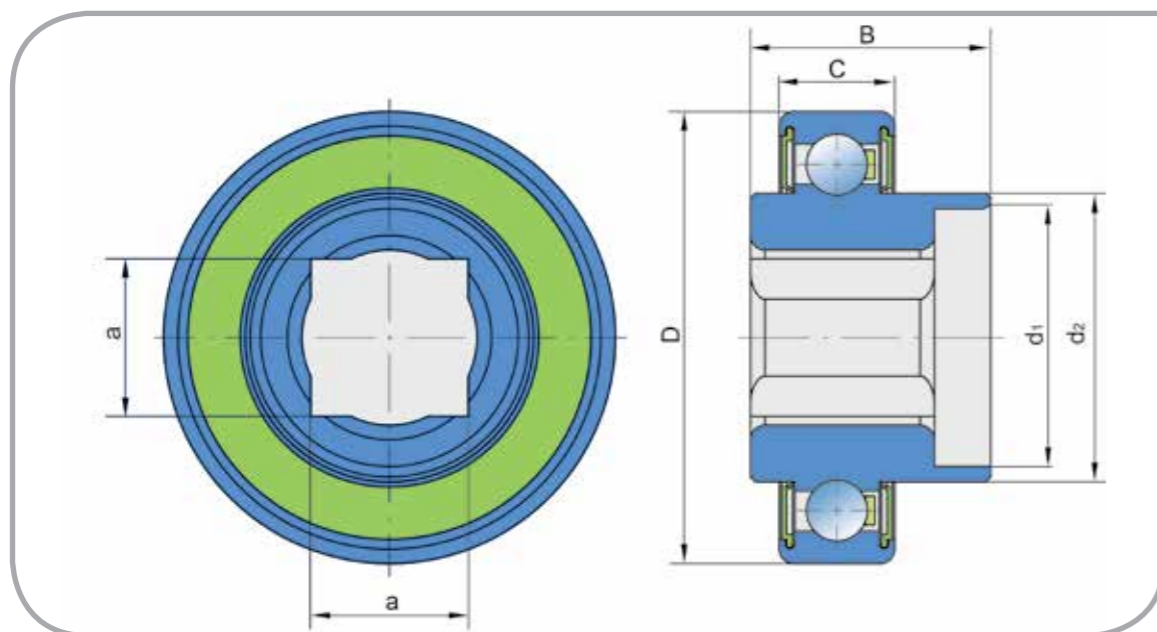
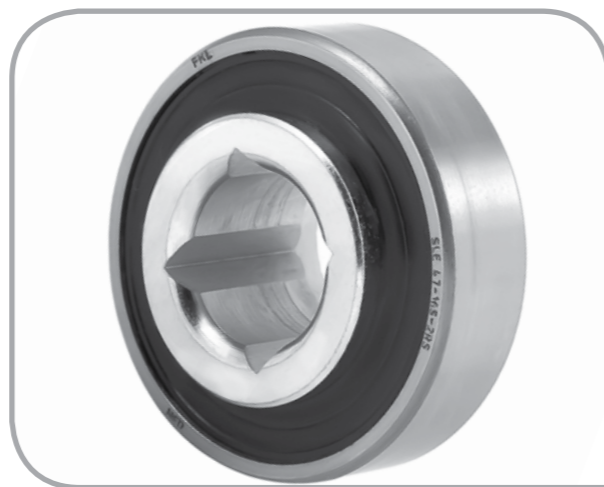


Ball Bearing Kuglični ležaj

SLE 47-16S-2RS

COMPARATIVE DESIGNATION UPOREDNE OZNAKE

FKL	SLE 47-16S-2RS
GASPARDO	G14830390



Dimensions/Osnovne mere (mm)

a	d ₁	d ₂	D	B	C	kg
16,4	26,8	30	47	25	12	0,11

Typical Applications:

Potencijalno mesto ugradnje i primena:

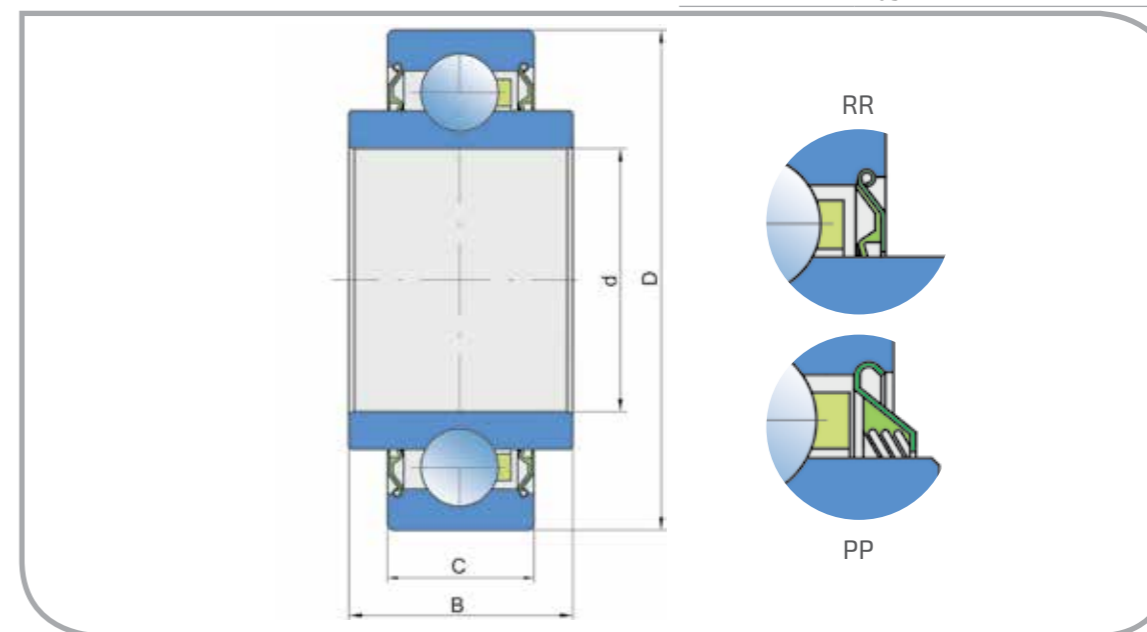
Seeding Machine
Sejačica

Ball Bearing Kuglični ležaj

203KRR.AH02
203KPP.AH02

COMPARATIVE DESIGNATION UPOREDNE OZNAKE

FKL	203KRR.AH02 203KPP.AH02
BCA	203RRAR10
CASE	149261C91; F16246
FAFNIR	203KRR2
FAG	518855
FORD	222279
GEHL	520117
GREAT PLAINS	822-095C
IHC	666624R91
INA	203-XL-KRR-AH02
JOHN DEERE	AA82881; AN100425; AN142670; AN281357; JD 9214
LINK BELT	126115
NEW HOLLAND	66553
NTN	23RRAR10; SX0361LLCS13
PEER	203KRR2



Dimensions/Osnovne mere (mm)

d	D	B	C	kg
16,26	40	18,29	12	0,07

Typical Applications:

Potencijalno mesto ugradnje i primena:

Seeding Machine/Sejačica
Sprockets/Lančanici

Note/Napomena

The bearing with triple lip sealing is also available/
Ležaj je dostupan i sa trusnim zaptivanjem



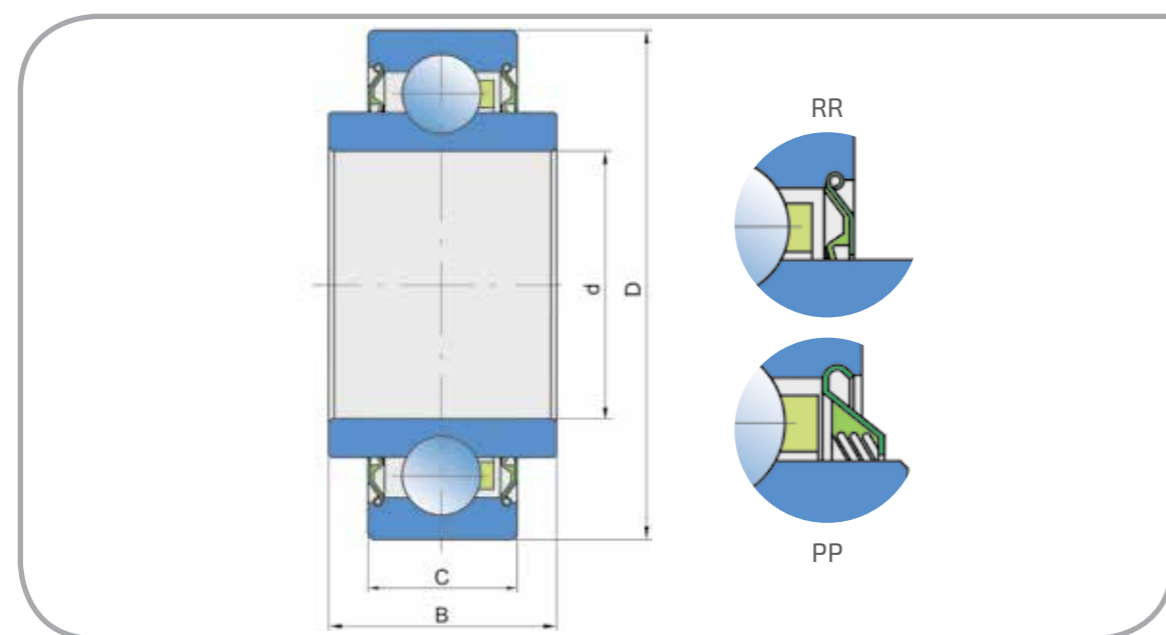


Ball Bearing Kuglični ležaj

203KRR.AH05
203KPP.AH05

COMPARATIVE DESIGNATION UPOREDNE OZNAKE

FKL	203KRR.AH05 203KPP.AH05
AC	562134
BCA	203RRAR8
FAFNIR	203KRR5
IHC	107095C91; 611928R91
INA	203-XL-KRR-AH05
JOHN DEERE	JD10008; JD9295
LEMKEN	3198563; 3198702
NTN	SX0153LCS13PX1
TIMKEN	203KRR5
TYE	522-20SP



Dimensions/Osnovne mere (mm)

d	D	B	C	kg
13	40	18,29	12	0,09

Typical Applications:

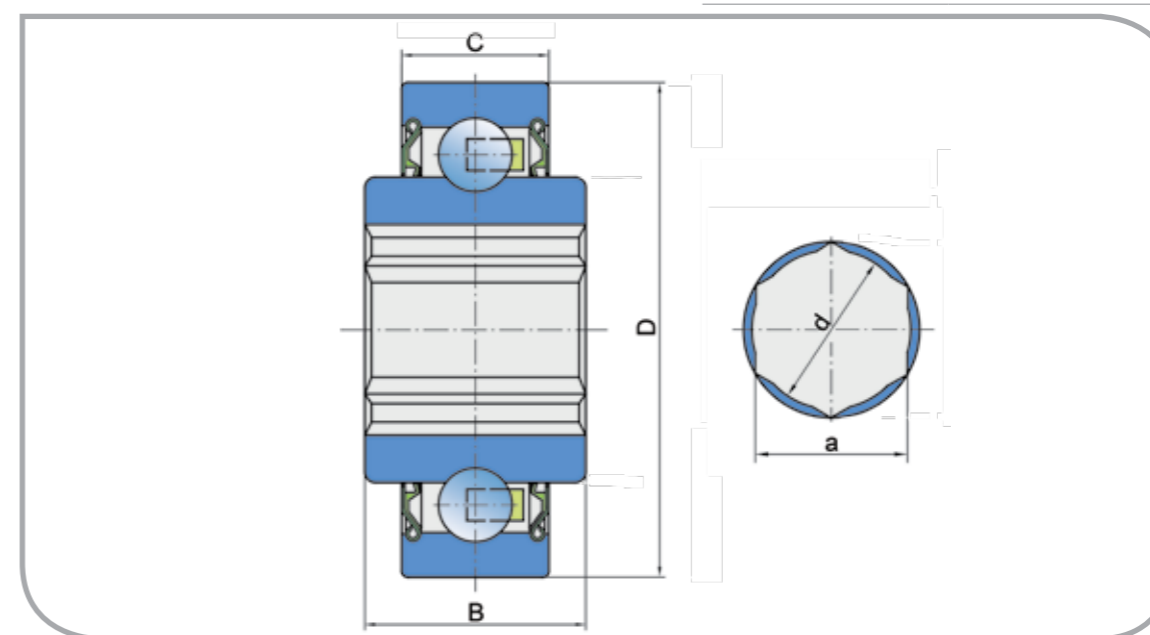
Potencijalno mesto ugradnje i primena:

Seeding Machine/Sejačica
Sprockets/Lančanic

Note/Napomena
The bearing with triple lip sealing is also available/
Ležaj je dostupan i sa trousnim zaptivanjem

Ball Bearing Kuglični ležaj

204KRR2



Dimensions/Osnovne mere (mm)

a	d	D	B	C	kg
17,65	18,2	47	20,96	14	0,145

Typical Applications:

Potencijalno mesto ugradnje i primena:

Seeding Machine
Sejačica

COMPARATIVE DESIGNATION UPOREDNE OZNAKE

FKL	204KRR2
BCA	HPC011GP
CASE	592141R91
FAFNIR	204KRR2; AH107148
INA	204KRR2
JOHN DEERE	JD7126; AXE10322
KOYO	88120A
LAND PRIDE	822-173C
LINK BELT	11KB204N
MASSEY FERGUSON	P501102
NDH	1AH04-11/16
NTN	1AH04-11/16 1AH04-11/16LLM
PEER	204KRR2
TIMKEN	204KRR2



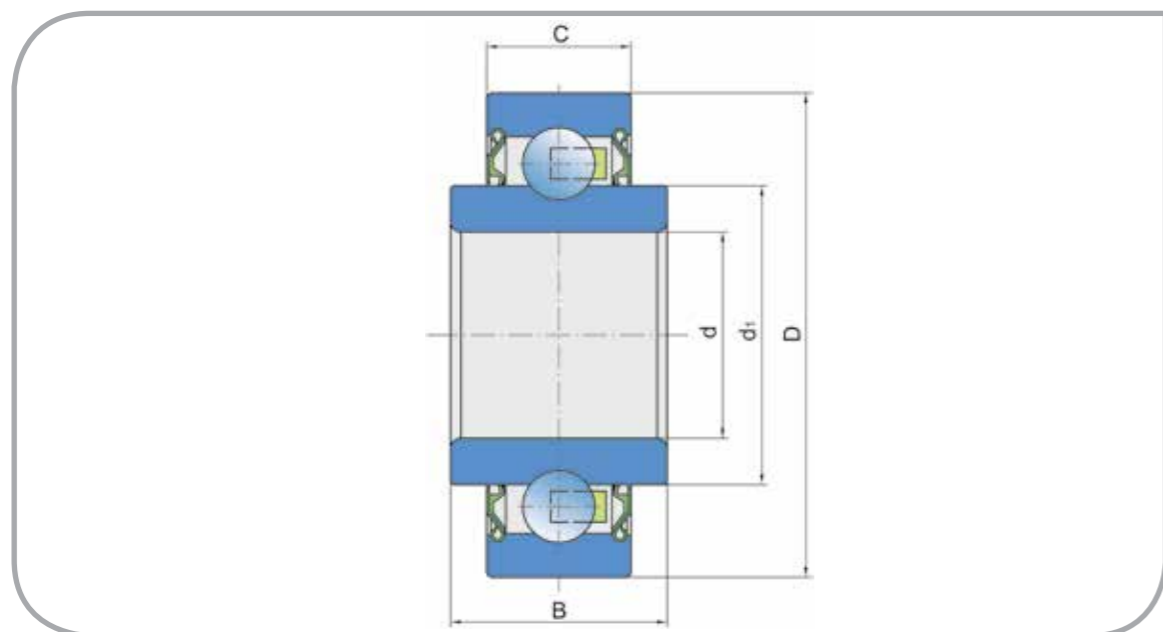


Ball Bearing Kuglični ležaj

204KRR

COMPARATIVE DESIGNATION UPOREDNE OZNAKE

FKL	204KRR
FAFNIR	204KRR
INA/FAG	204-XL-KRR
KVERNELAND	AC671872



Dimensions/Osnovne mere (mm)

d	d ₁	D	B	C	kg
20	28,2	47	17,7	14	0,12

Typical Applications:

Potencijalno mesto ugradnje i primena:

Seeding Machine
Sejačica

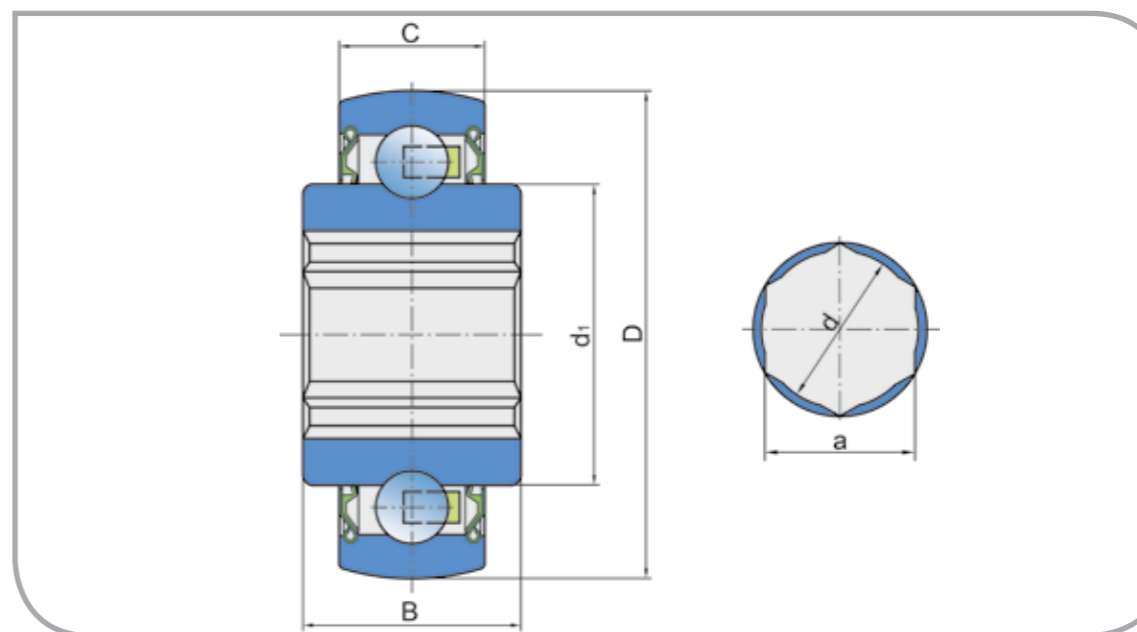


Ball Bearing Kuglični ležaj

204KRRB2

COMPARATIVE DESIGNATION UPOREDNE OZNAKE

FKL	204KRRB2
BCA	HPS011GP
FAFNIR	204KRRB2
GREAT PLAINS	A-HPS011GP
INA	204KRRB2
LINK BELT	11K204N
PEER	204KRRB2



Dimensions/Osnovne mere (mm)

a	d	d ₁	D	B	C	kg
17,65	18,2	28,2	47	20,96	14	0,145

Typical Applications:

Potencijalno mesto ugradnje i primena:

Seeding Machine
Sejačica

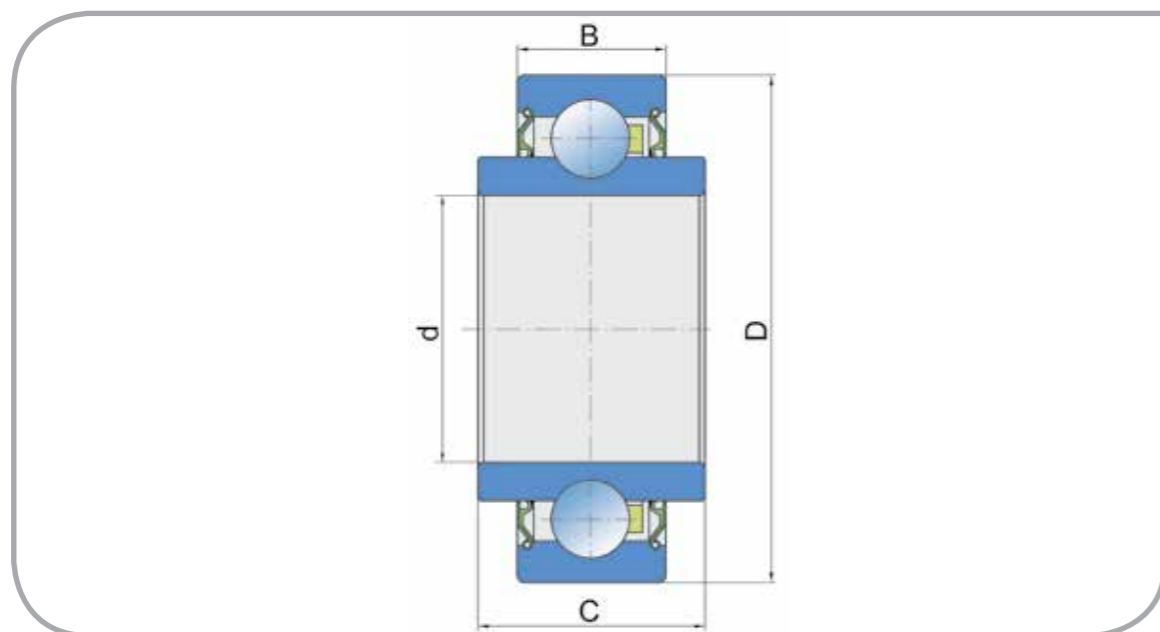


Ball Bearing Kuglični ležaj

203KRR

COMPARATIVE DESIGNATION UPOREDNE OZNAKE

FKL	203KRR
INA	203-XL-KRR



Dimensions/Osnovne mere (mm)

d	D	B	C	kg
17	40	12	18,3	0,09

Typical Applications:

Potencijalno mesto ugradnje i primena:

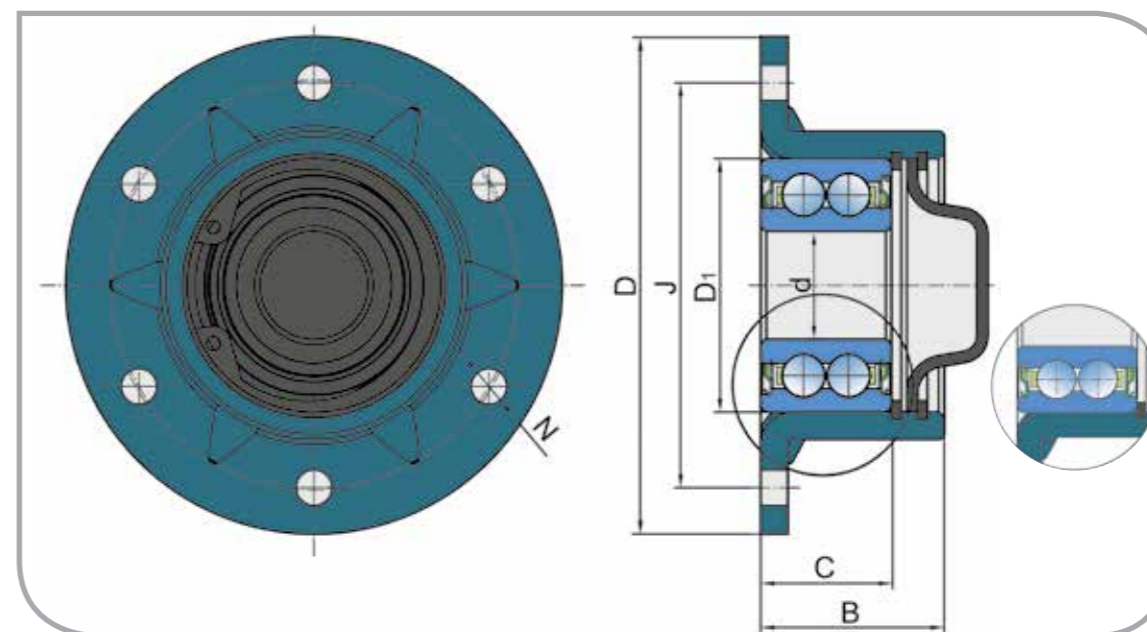
 Seeding Machine
 Sejačica


Bearing Unit Ležajna jedinica

PL-7517/7520

COMPARATIVE DESIGNATION UPOREDNE OZNAKE

FKL	PL-7517/7520
NWG	AHU20091C-01 AHU20091C-02



Dimensions/Osnovne mere (mm)

Designation/Oznaka	d	D	D ₁	J	N	B	C	kg
PL-7517	17	92	47	75	6,7H12	34	24	0,56
PL-7520	20	92	47	75	6,7H12	34	24	0,56

Typical Applications:

Potencijalno mesto ugradnje i primena:

 Seeding Machine
 Sejačica



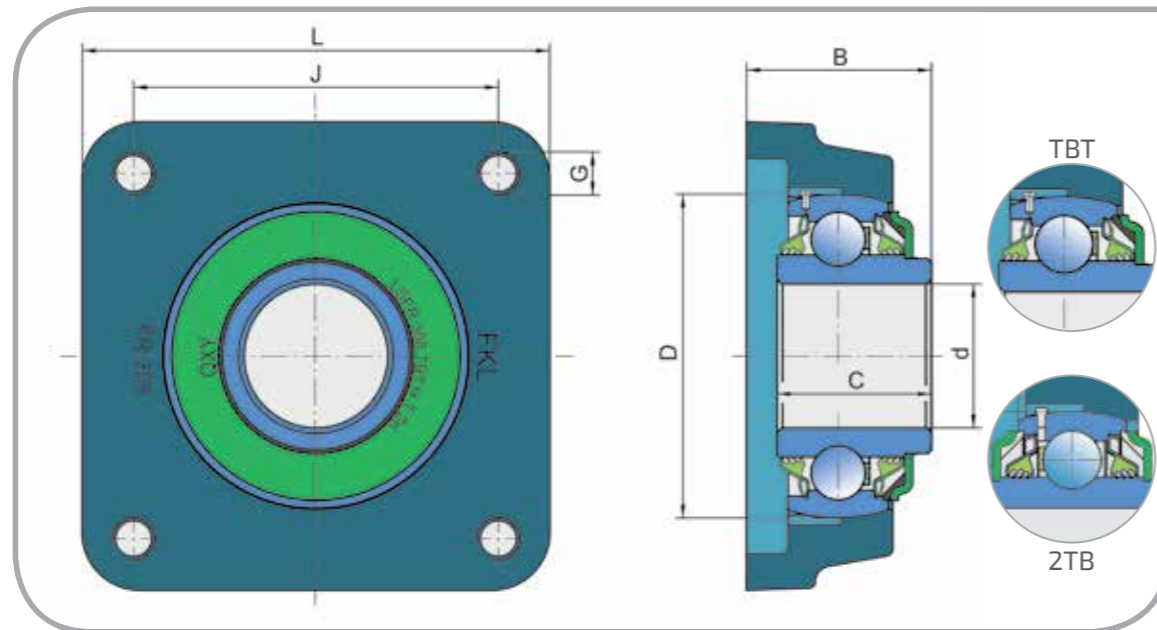
Bearing Unit

Ležajna jedinica

LSFR 308 TBT.H.T.Zn
 LSFR 308 2TB.H.T.Zn

COMPARATIVE DESIGNATION UPOREDNE OZNAKE

FKL	LSFR 308 TBT.H.T.Zn LSFR 308 2TB.H.T.Zn
HORSCH	00240028
INA	TCJ 40
SNR	UCFE 308 A02X3 UCFE 308 A05AGR



Dimensions/Osnovne mere (mm)

Designation/Oznaka	d	D	L	J	G	B	C	kg
LSFR 308 TBT.H.T.Zn	40	90	130	101,5	M12	51,4	42,9	2,40
LSFR 308 2TB.H.T.Zn	40	90	130	101,5	∅13	46,4	45,8	2,60

Typical Applications:

Potencijalno mesto ugradnje i primena:

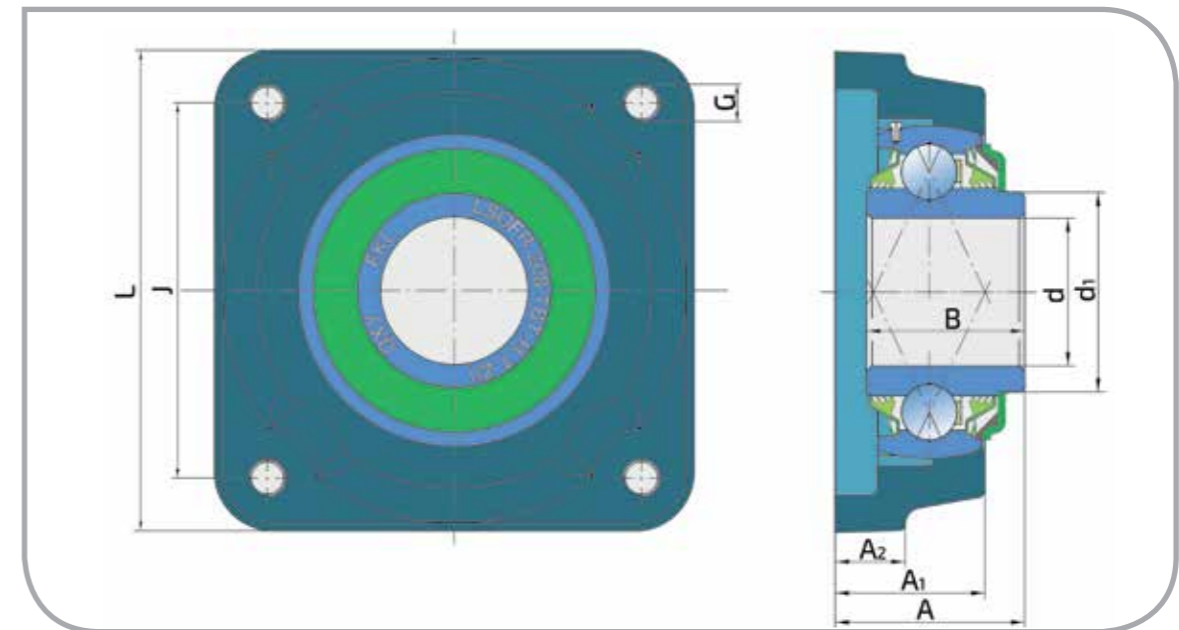
Packer Roller
 Cambridge valjak



Bearing Unit

Ležajna jedinica

LSQFR 308 TBT.H.T.Zn



Dimensions/Osnovne mere (mm)

d	d ₁	A	A ₁	A ₂	L	J	B	G	kg
40	54,2	51,4	40,6	19	130	101,5	42,9	M12	2,5

Typical Applications:

Potencijalno mesto ugradnje i primena:

Packer Roller
 Cambridge valjak



Bearing Unit

Ležajna jedinica

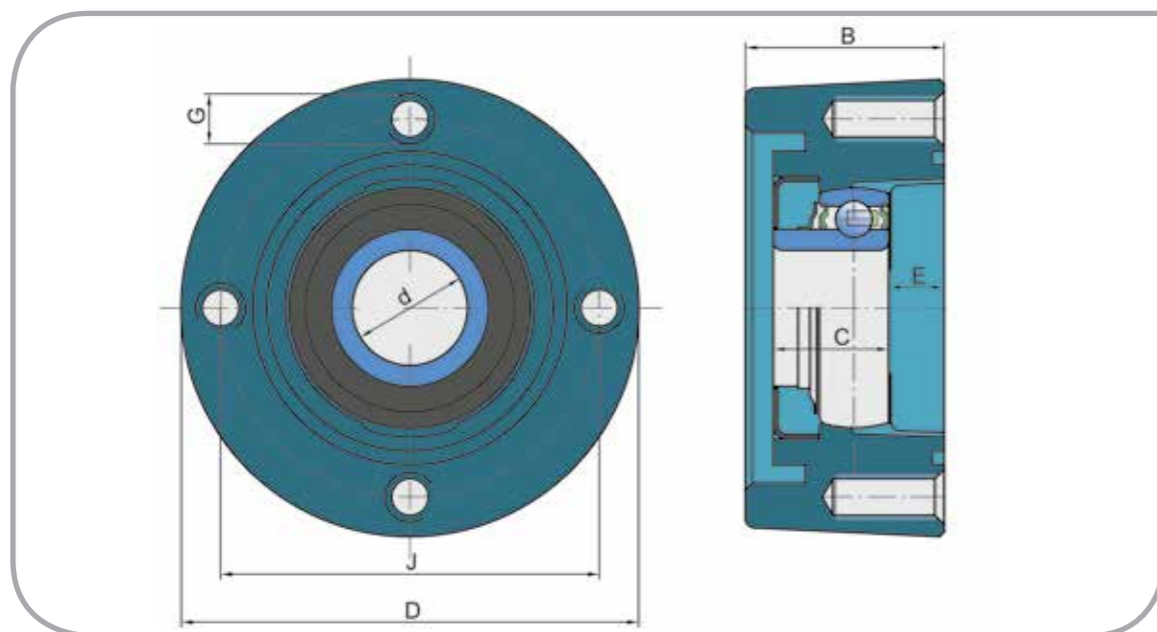
LSGR 205 FS



COMPARATIVE DESIGNATION

UPOREDNE OZNAKE

FKL	LSGR 205 FS
INA	F-239975-0200 RCJT 25x400x43 GGG
LEMKEN	3199371



Dimensions/Osnovne mere (mm)

d	D	J	B	E	C	G	kg
25	99	82	43	12	25	10	1,55

Typical Applications:

Potencijalno mesto ugradnje i primena:

Packer Roller
Cambridge valjak



Bearing Unit

Ležajna jedinica

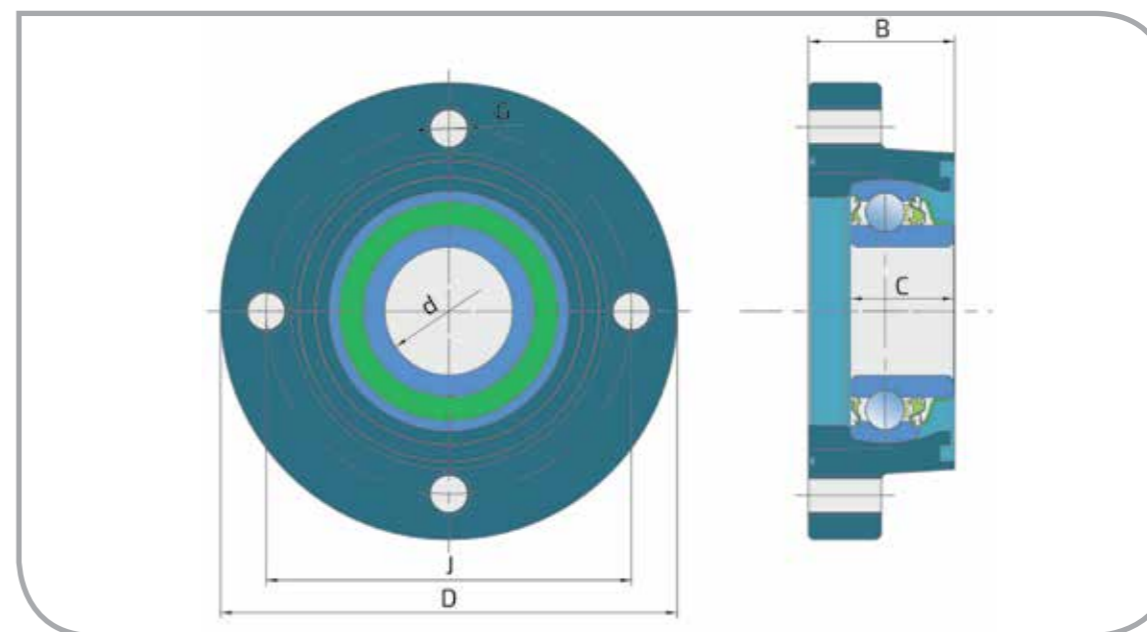
LSGR 207 TBS



COMPARATIVE DESIGNATION

UPOREDNE OZNAKE

FKL	LSGR 207 TBS
INA	F-232812-0200 F-232812-0200IBBU RCJ 35x118x39.9
LEMKEN	3199372



Dimensions/Osnovne mere (mm)

d	D	J	B	C	G	kg
35	125	100	40	28,3	10	1,70

Typical Applications:

Potencijalno mesto ugradnje i primena:

Packer Roller
Cambridge valjak



Bearing Unit

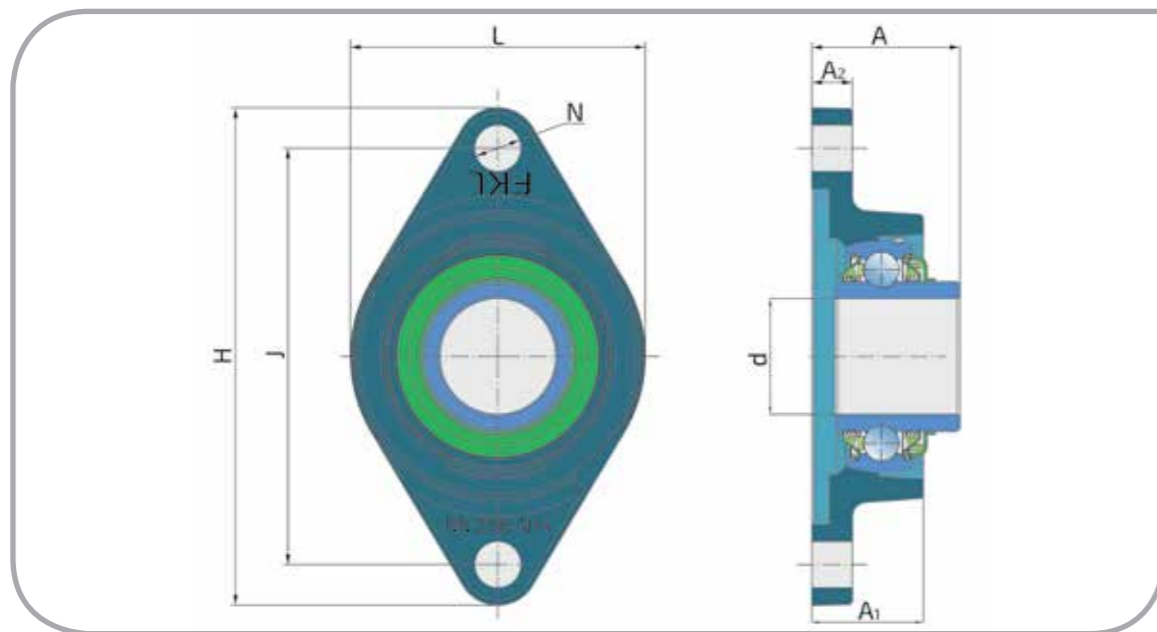
Ležajna jedinica

LSNN 208 TDT.H.T*K

COMPARATIVE DESIGNATION

UPOREDNE OZNAKE

FKL	LSNN 208 TDT.H.T*K
KOCKERLING	567148
SNR	GGF 40 A04+UC 208 X6



Dimensions/Osnovne mere (mm)

d	H	J	L	A	A ₁	A ₂	N	kg
40	172	144	102	51,2	38,5	14	16	1,78

Typical Applications:

Potencijalno mesto ugradnje i primena:

Packer Roller
Cambridge valjak



Bearing Unit

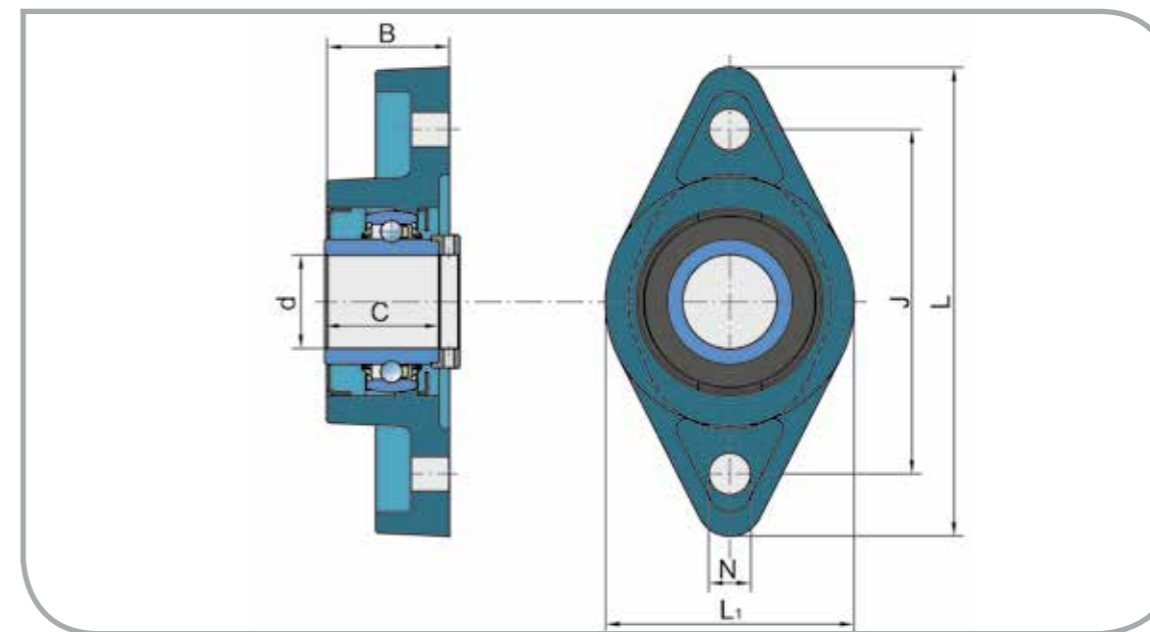
Ležajna jedinica

LSNR 205 2T

COMPARATIVE DESIGNATION

UPOREDNE OZNAKE

FKL	LSNR 205 2T
INA	F-233449
LEMKEN	3199367



Dimensions/Osnovne mere (mm)

d	L	L ₁	J	B	C	N	kg
25	135	71	99	35	34,8	11	0,91

Typical Applications:

Potencijalno mesto ugradnje i primena:

Packer Roller
Cambridge valjak



Bearing Unit

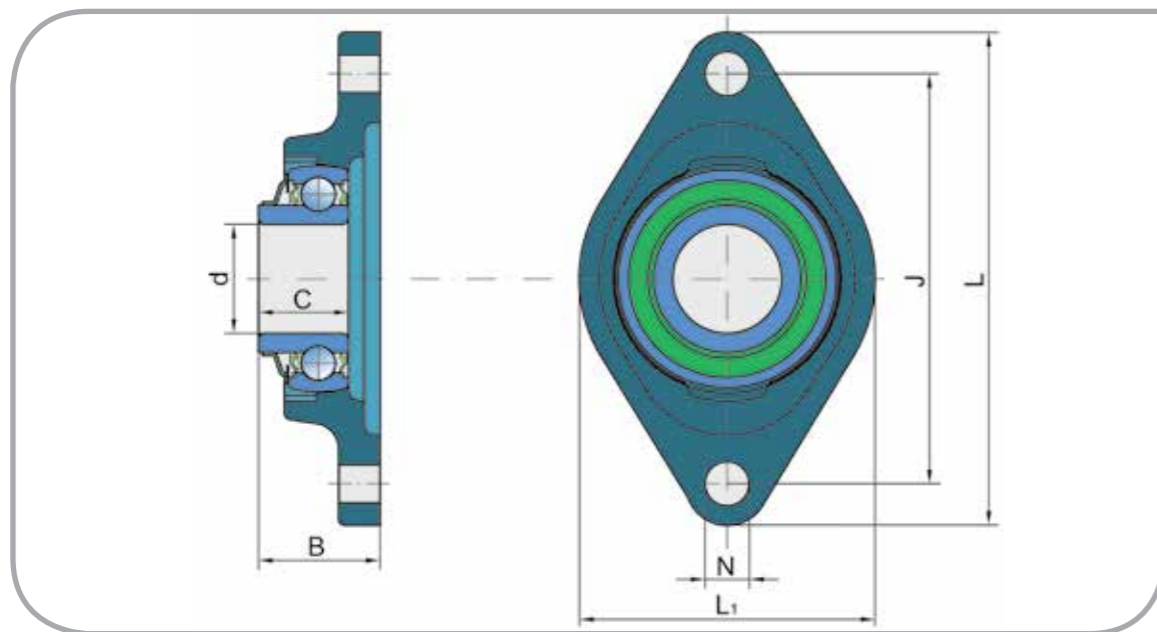
Ležajna jedinica

LSNR 207 TBS

COMPARATIVE DESIGNATION

UPOREDNE OZNAKE

FKL	LSNR 207 TBS
LEMKEN	3199352



Dimensions/Osnovne mere (mm)

d	L	L ₁	J	B	C	N	kg
35	155	93	130	40	28,3	14	1,05

Typical Applications:

Potencijalno mesto ugradnje i primena:

Packer Roller
Cambridge valjak



Bearing Unit

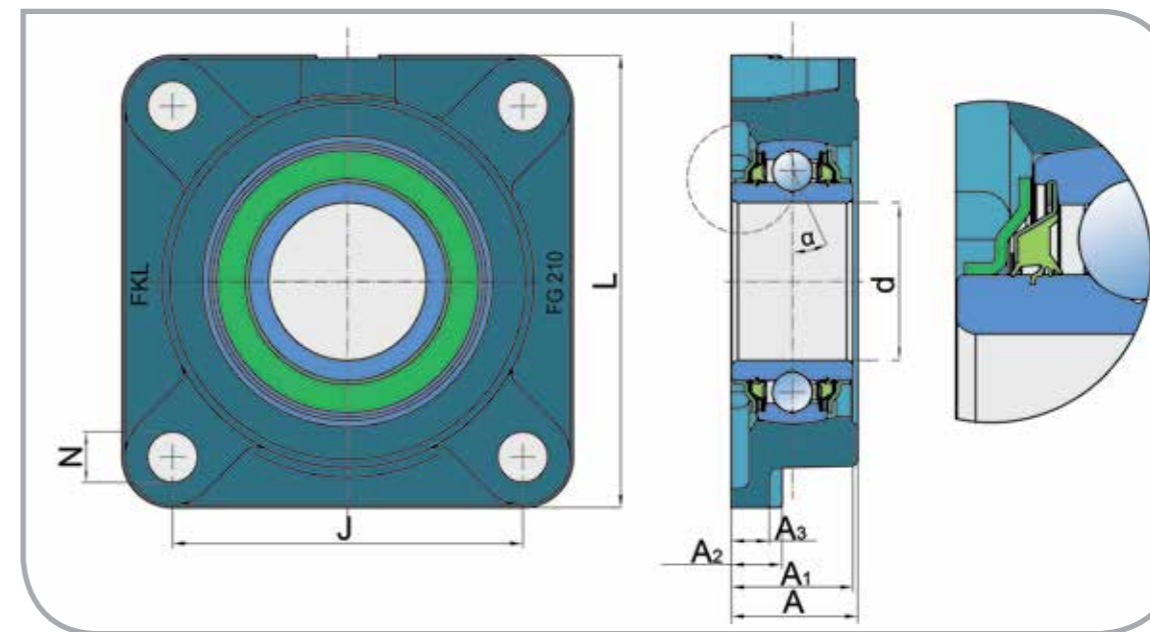
Ležajna jedinica

LSQFG 210 2PB.H

COMPARATIVE DESIGNATION

UPOREDNE OZNAKE

FKL	LSQFG 210 2PB.H
HORSCH	00240177 00240159 00240153
INA	TCF 50
PEER	W210-50MM-MF-R-DF-A362



Dimensions/Osnovne mere (mm)

d	A	A ₁	A ₂	A ₃	J	L	N	α	kg
50	40	38,5	16	12	111	143	17	25°	2,65

Typical Applications:

Potencijalno mesto ugradnje i primena:

Packer Roller
Cambridge valjak



Bearing Unit

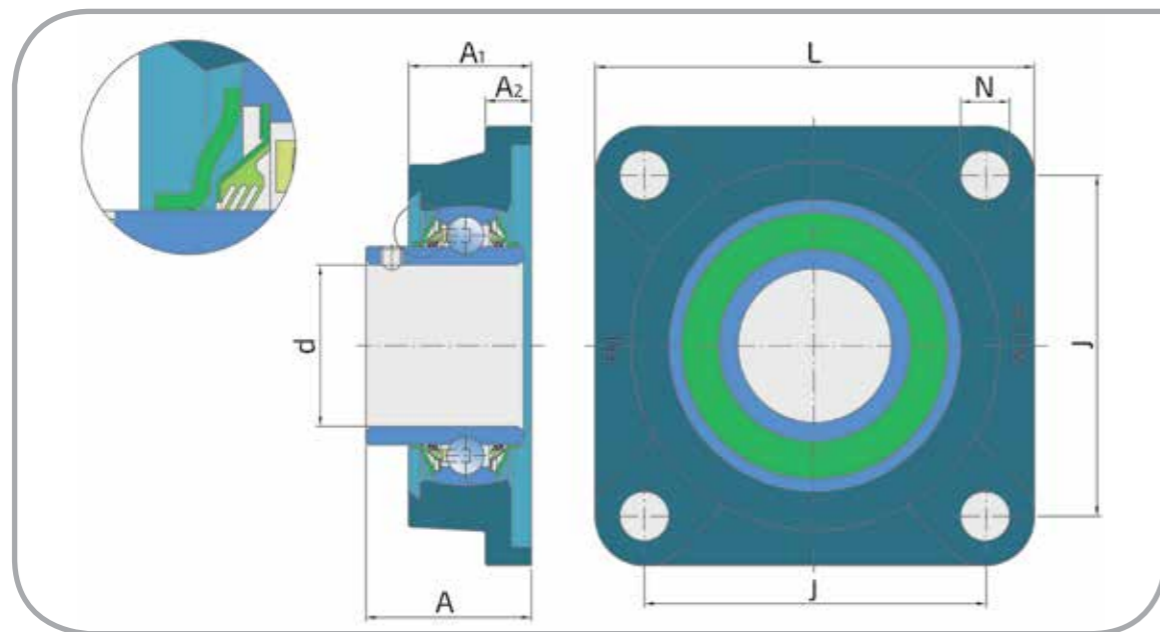
Ležajna jedinica

LEFN 212 M 2TB
 LEFN 212 M 2TB.H

COMPARATIVE DESIGNATION

UPOREDNE OZNAKE

FKL	LEFN 212 M 2TB.H
HORSCH	00240198 00240165 00240231
INA	UCF 212 F-581539-0200+F-581539-0011
SNR	UCFE 212 G2L3 XUC 212 B133 + FE 212 GGG



Dimensions/Osnovne mere (mm)

d	A	A ₁	A ₂	J	L	N	kg
60	73,7	52	17	143	175	18	4,27

Typical Applications:

Potencijalno mesto ugradnje i primena:

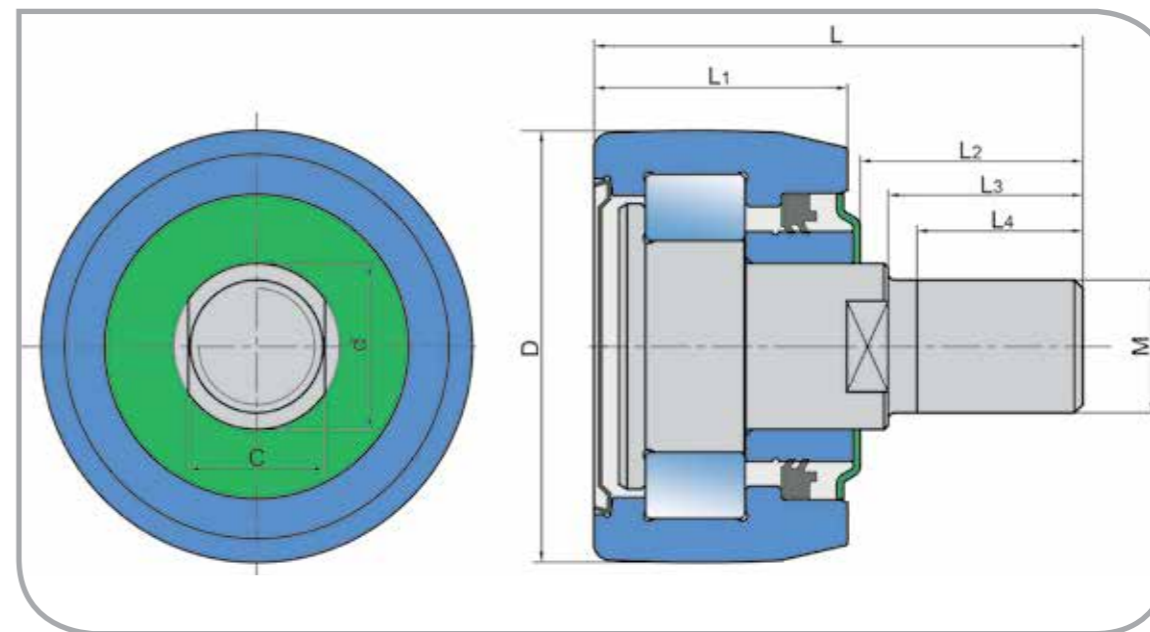
Packer Roller
 Cambridge valjak



Ball Bearing

Kuglični ležaj

CBK 320



Dimensions/Osnovne mere (mm)

d	D	L	L ₁	L ₂	L ₃	L ₄	C	M	kg
20	52	59	30,6	27	23,5	20	16,5	M16x1,5	2,8

Typical Applications:

Potencijalno mesto ugradnje i primena:

Packer Baller
 Mašina za baliranje

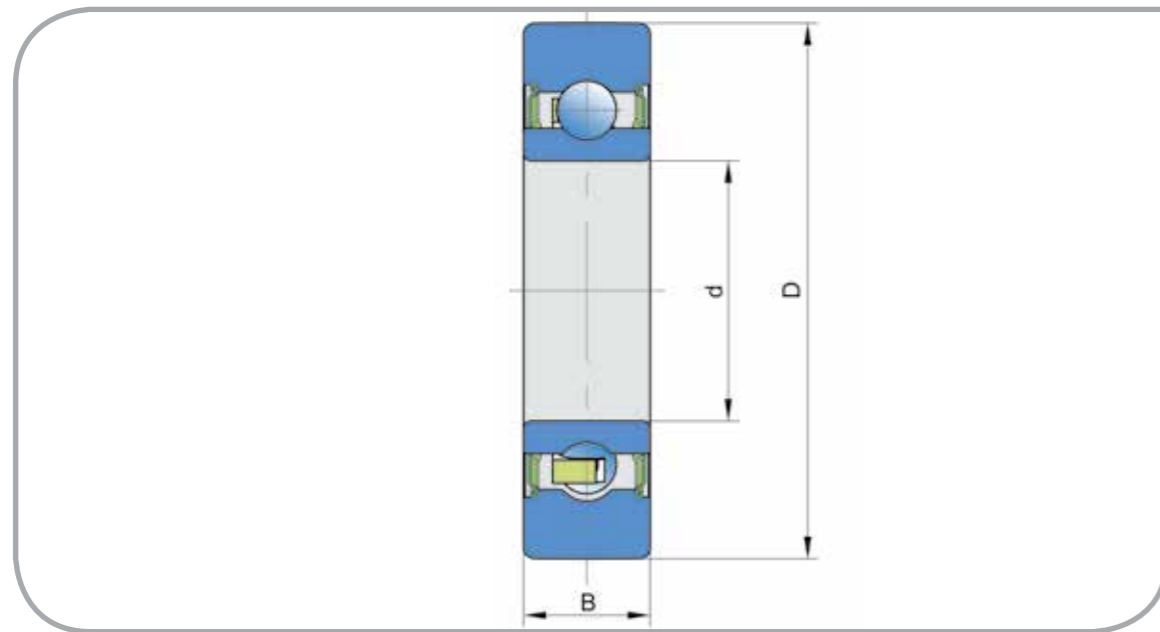


Ball Bearing Kuglični ležaj

LR-35/72

COMPARATIVE DESIGNATION UPOREDNE OZNAKE

FKL	LR-35/72
INA	LR 35/72 2URS
KRONE	F-552987
NEW HOLLAND	BR6090



Dimensions/Osnovne mere (mm)

d	D	B	kg
35	72	17	0,32

Typical Applications:

Potencijalno mesto ugradnje i primena:

Packer Baller
Mašina za baliranje

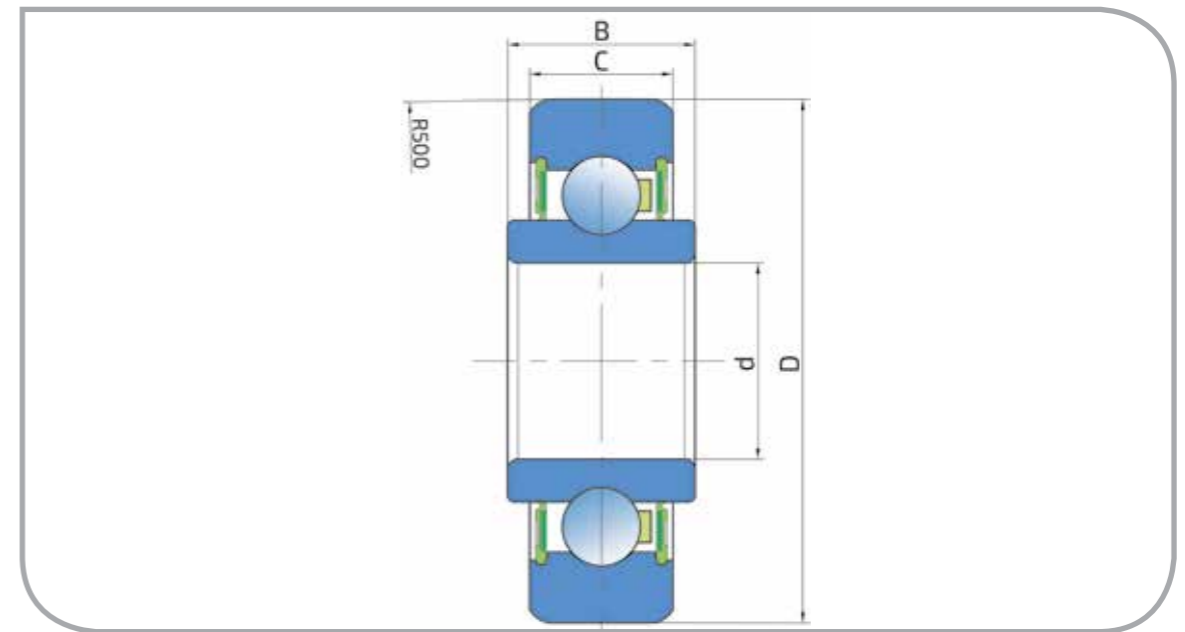
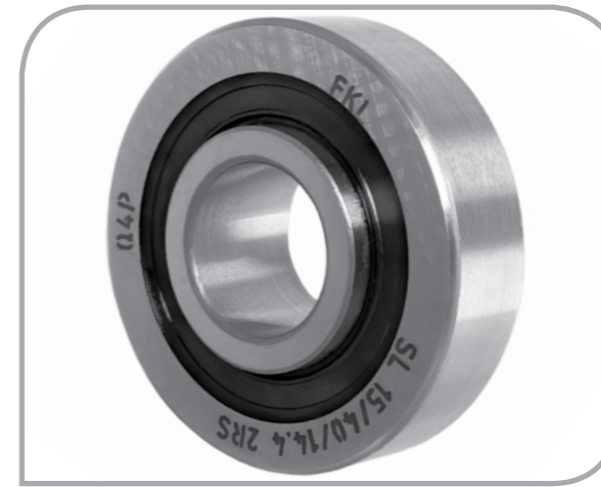


Ball Bearing Kuglični ležaj

SL 15/40/14.4 2RS

COMPARATIVE DESIGNATION UPOREDNE OZNAKE

FKL	SL 15/40/14.4 2RS
INA	LR202RRU



Dimensions/Osnovne mere (mm)

d	D	B	C	kg
15	40	14,4	11	0,08

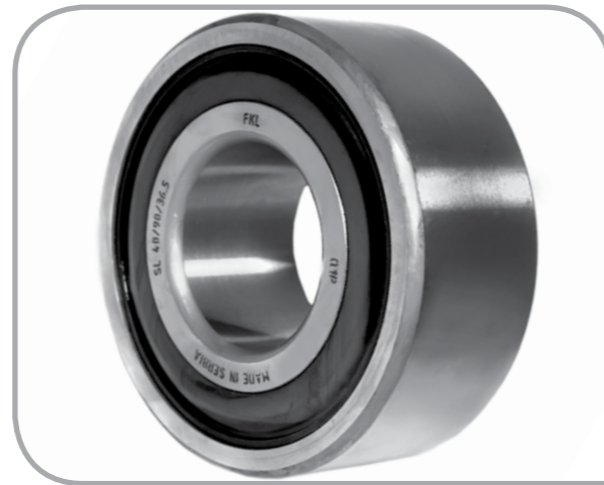
Typical Applications:

Potencijalno mesto ugradnje i primena:

Packer Baller
Mašina za baliranje

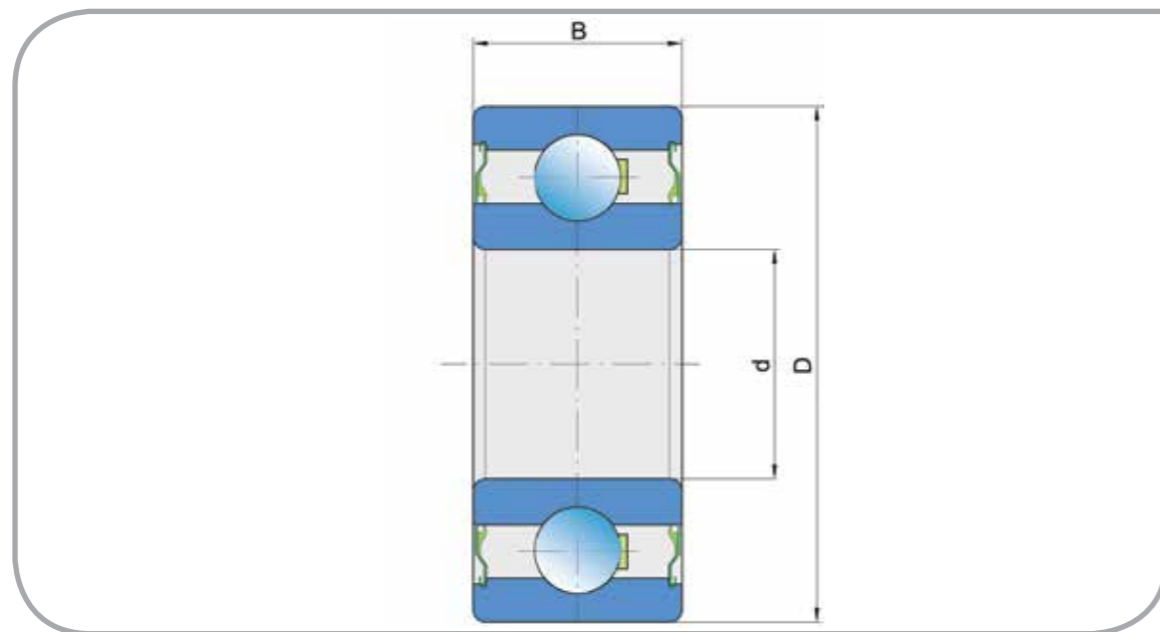
Ball Bearing Kuglični ležaj

SL 40/90/36.5



COMPARATIVE DESIGNATION UPOREDNE OZNAKE

FKL	SL 40/90/36.5
FAFNIR	W308PP-FS149
JOHN DEER	AP 19769
NTN	63308 2RS
TIMKEN	W308PP-FS149



Dimensions/Osnovne mere (mm)

d	D	B	kg
40	90	36,5	1,21

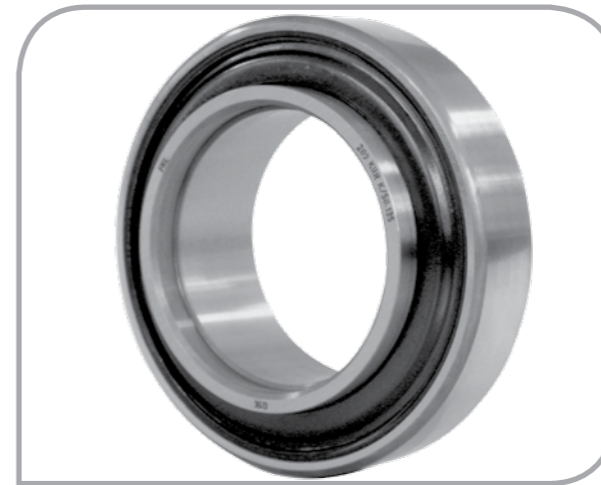
Typical Applications:

Potencijalno mesto ugradnje i primena:

Combine
Kombajn

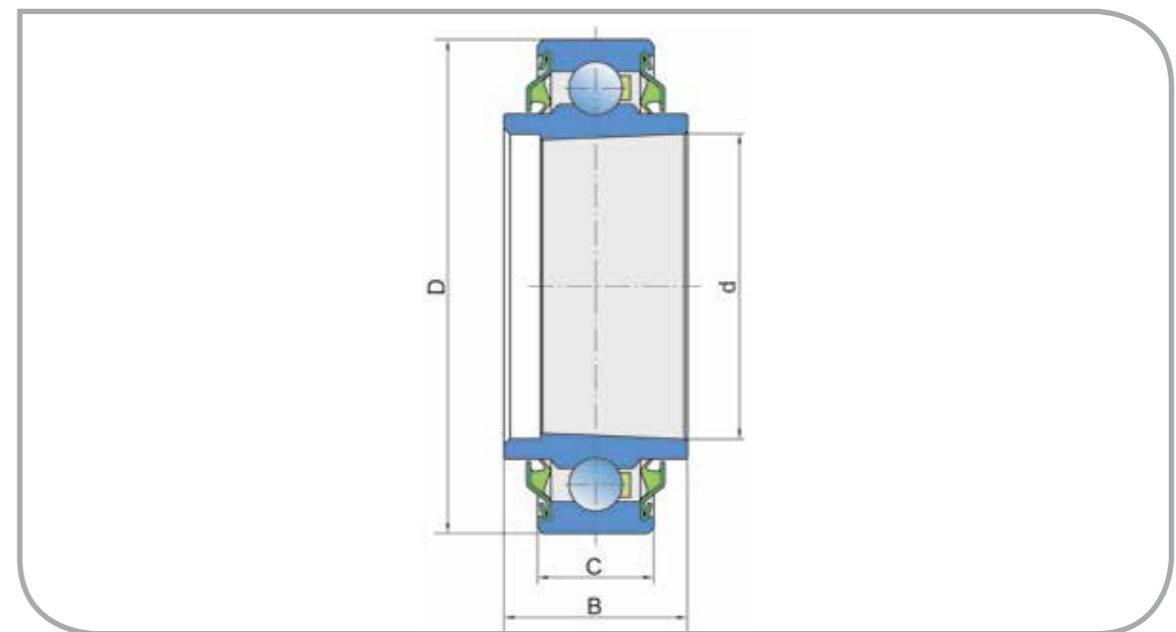
Ball Bearing Kuglični ležaj

209 KRR K/50.135



COMPARATIVE DESIGNATION UPOREDNE OZNAKE

FKL	209 KRR K/50.135
INA	209 KRR K/50.135



Dimensions/Osnovne mere (mm)

d	D	B	C	kg
50,135	81	30	18	0,42

Typical Applications:

Potencijalno mesto ugradnje i primena:

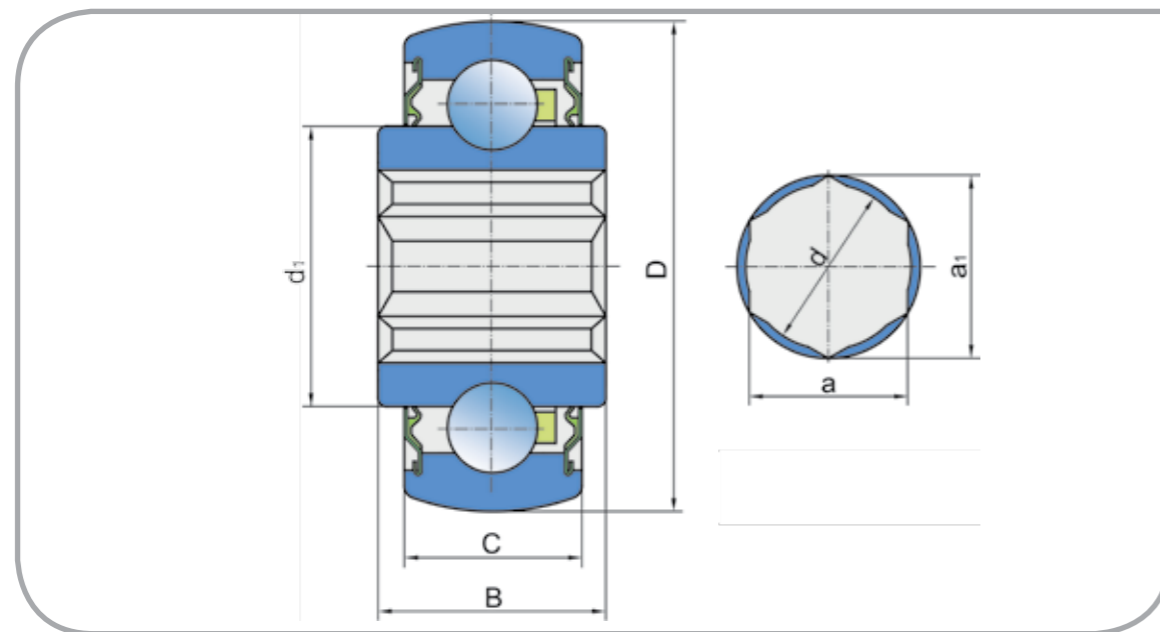
Combine
Kombajn

Ball Bearing Kuglični ležaj

207KRRB9

COMPARATIVE DESIGNATION UPOREDNE OZNAKE

FKL	207KRRB9
BCA	HP5102GP
FAFNIR	207KRRB9
INA	SK 102-207 KRR-B-AH10
JOHN DEERE	A-HP5108GPB JD9457
LINK BELT	18K207N
NEW HOLLAND	121602
NTN	2AH07-11/8 AH07-1.1/8D1 SBX 0787 LLSC4
TIMKEN	207KRRB9



Dimensions/Osnovne mere (mm)

a	a ₁	d	d ₁	D	B	C	kg
28,6	32,95	29,3	46,1	72	37,7	17	0,51

Typical Applications:

Potencijalno mesto ugradnje i primena:

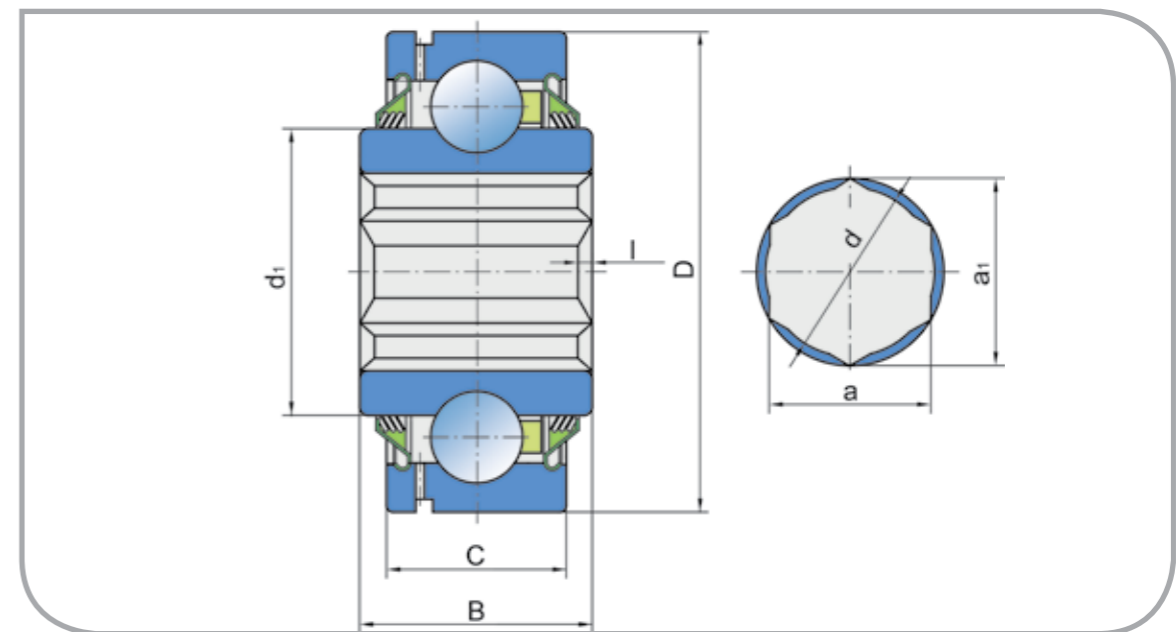
Combine
Kombajn

Ball Bearing Kuglični ležaj

G207 KPP3 AH16

COMPARATIVE DESIGNATION UPOREDNE OZNAKE

FKL	G207 KPP3 AH16
JOHN DEERE	JD10458
NTN	SBX07A02C4



Dimensions/Osnovne mere (mm)

a	a ₁	d	d ₁	D	B	C	l	kg
31,78	36,45	32,5	46,1	72	38	19	2/45°	0,65

Typical Applications:

Potencijalno mesto ugradnje i primena:

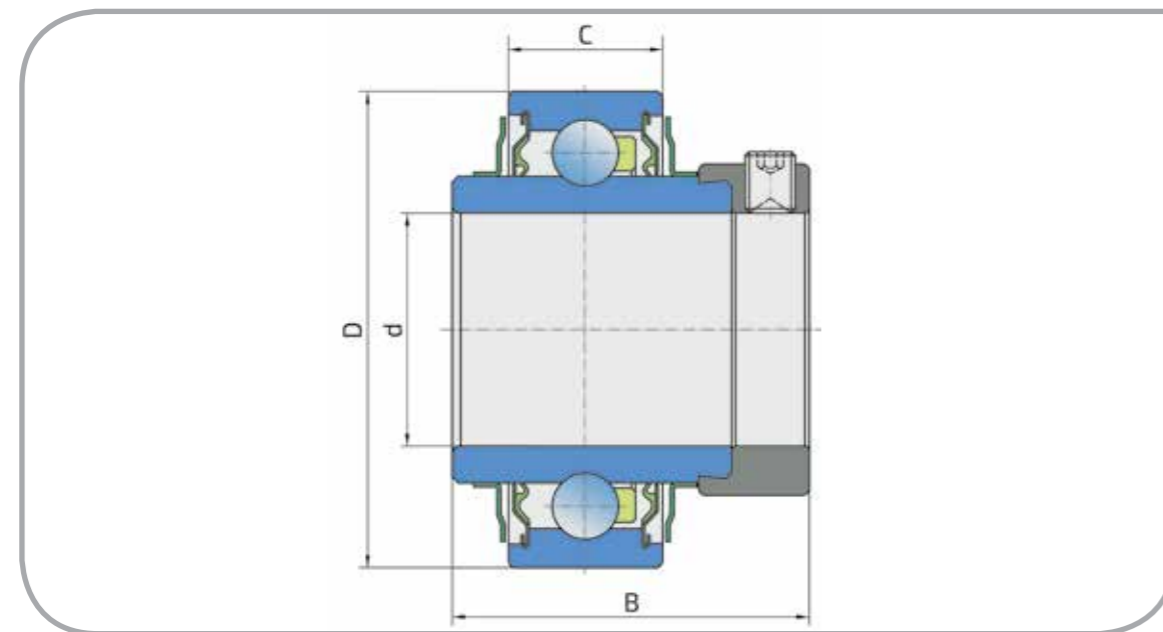
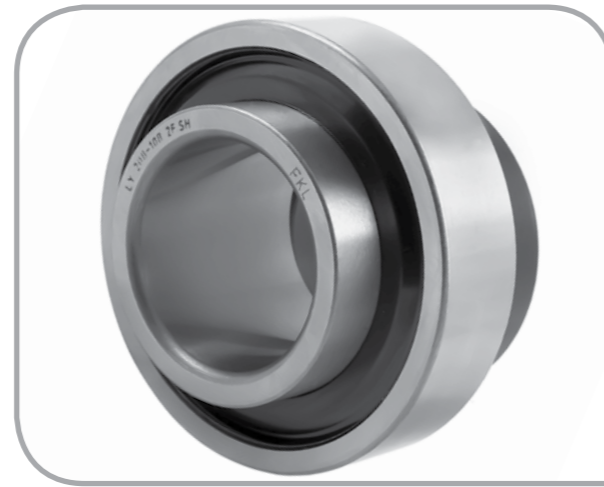
Combine
Kombajn

Ball Bearing Kuglični ležaj

LY 208-108 2F.SH

COMPARATIVE DESIGNATION UPOREDNE OZNAKE

FKL	LY 208-108 2F.SH
FAFNIR	1108KRR SM1108KTS
INA	G1108KRR-AS2/V G1108NPPB3
JOHN DEERE	AE48913 JD9466
KOYO	NA208-24FNOCL
SNR	CEX 208-24
NTN	ARL208-108D1LLSC3 SBX0889/OG-EL



Dimensions/Osnovne mere (mm)

d	D	B	C	kg
38,1	80	56,3	21	0,8

Typical Applications:

Potencijalno mesto ugradnje i primena:

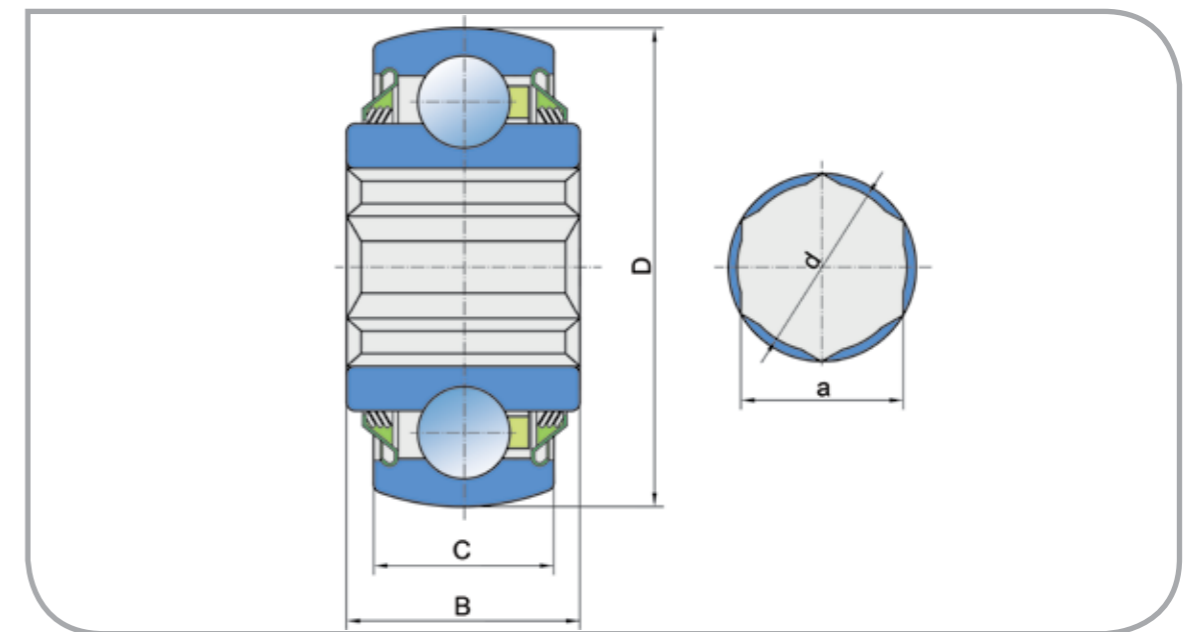
Combine
Kombajn

Ball Bearing Kuglični ležaj

W 208PPB16

COMPARATIVE DESIGNATION UPOREDNE OZNAKE

FKL	W 208PPB16
CASE	700703101
FAFNIR	W 208PPB16
INA	W 208PPB16
JOHN DEERE	H114873 JD9373
MASSEY FERGUSON	1577800W1
NEW HOLLAND	86523785
NTN	2AH08-1.1/4V4
PEER	W 208PPB16



Dimensions/Osnovne mere (mm)

a	d	D	B	C	kg
31,78	32,5	80	36,5	18	0,67

Typical Applications:

Potencijalno mesto ugradnje i primena:

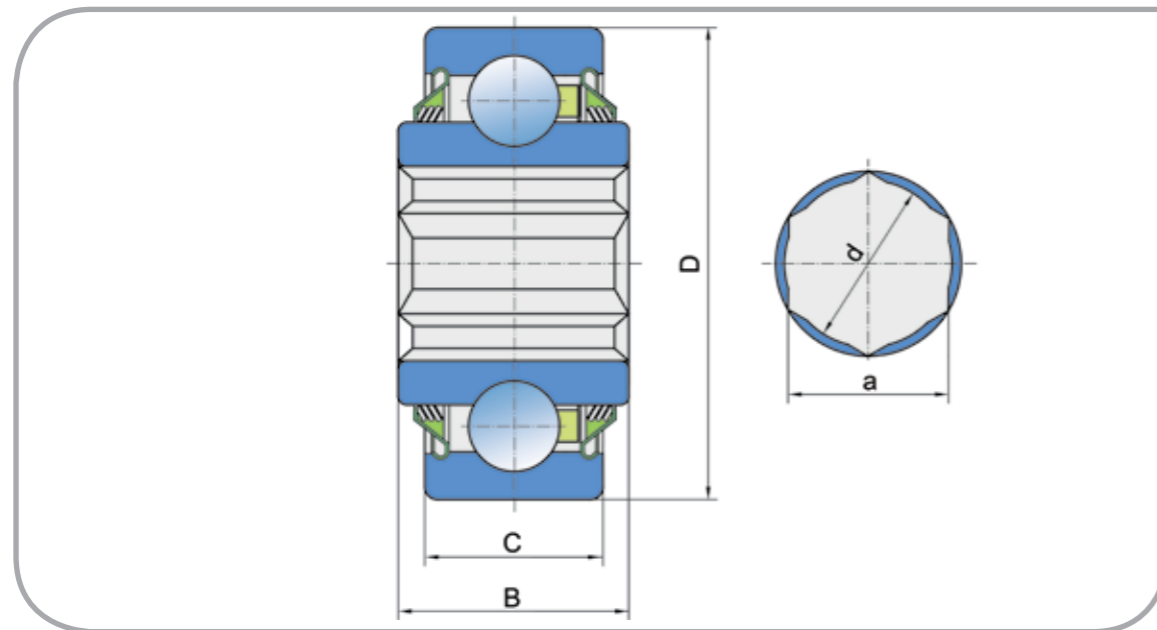
Combine
Kombajn

Ball Bearing Kuglični ležaj

W 208PP16

COMPARATIVE DESIGNATION UPOREDNE OZNAKE

FKL	W 208PP16
BCA	HPC104TPA
FAFNIR	W 208PP21
JOHN DEERE	AE46606
PEER	W 208PP21



Dimensions/Osnovne mere (mm)

a	d	D	B	C	kg
31,78	32,5	80	36,5	18	0,67

Typical Applications:

Potencijalno mesto ugradnje i primena:

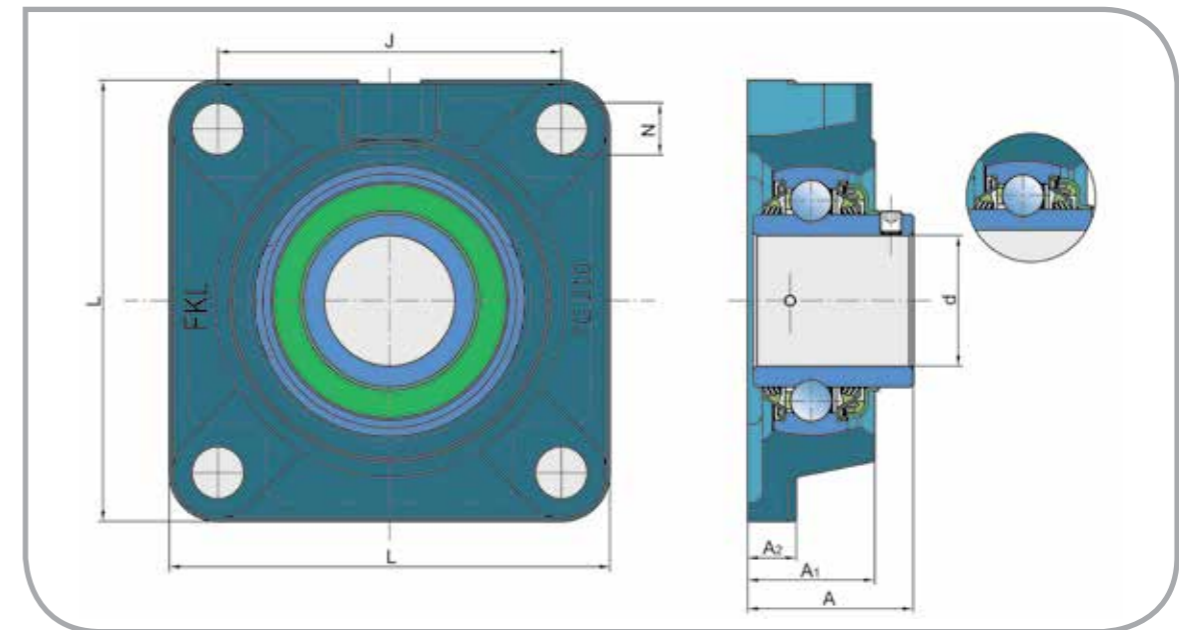
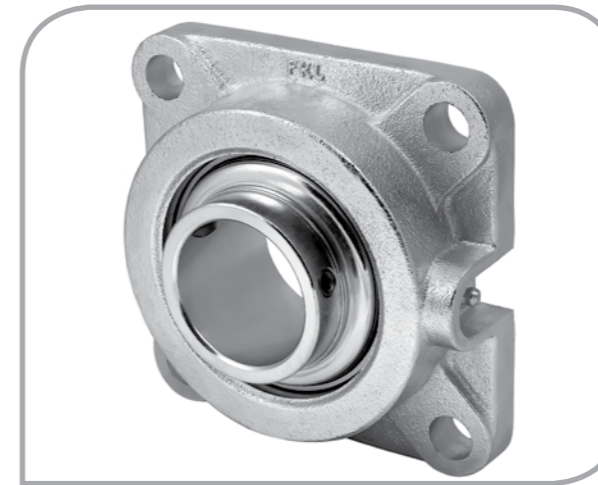
Combine
Kombajn

Bearing Unit ARMOR Ležajna jedinica ARMOR

LEFG 210 TDT

COMPARATIVE DESIGNATION UPOREDNE OZNAKE

FKL	LEFG 210 TDT
PEER	XD-UCF210-50MM-XB-AP-TLSLU117



Dimensions/Osnovne mere (mm)

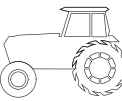
Designation/Oznaka	d	A ₁	A ₂	J	L	N	A	kg
LEFG 206 TDT	30	31	13	83	108	16	40,2	1,20
LEFG 207 TDT	35	34	13	92	118	14	44,4	1,45
LEFG 208 TDT	40	36	14	102	130	16	51,2	1,95
LEFG 209 TDT	45	38	16	105	137	16	52,2	2,41
LEFG 210 TDT	50	40	16	111	143	16	54,6	2,78
LEFG 212 TDT	60	48	19	143	175	19	68,5	4,64
LEFG 214 TDT	70	50,3	21,3	152	193	19	70,7	6,20

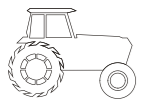
Typical Applications:

Potencijalno mesto ugradnje i primena:

Specificity/Specifičnosti

Housing material: ductile iron/Materijal kućišta: nodularni liv
Sealing: double triple lip/Zaptivanje: dupla troujna zaptivka

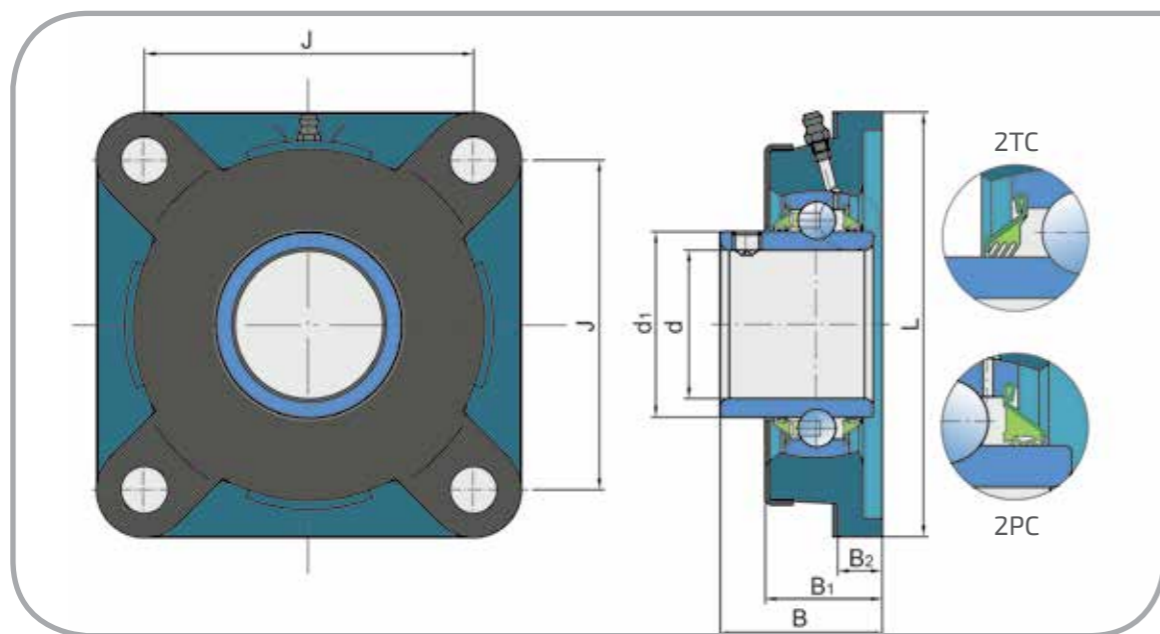
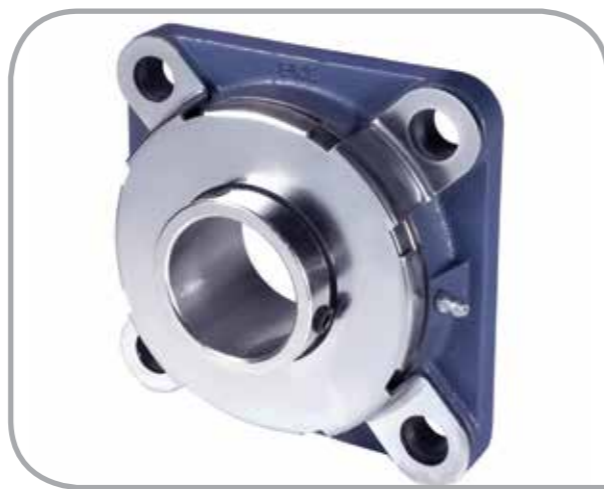




Bearing Unit with Metal Sheet Cover

Ležajna jedinica sa metalnim poklopcem

LEFN 210 2PC



Dimensions/Osnovne mere (mm)

Designation/Oznaka	d	d ₁	L	J	N	B	B ₁	B ₂	kg
LEFN 208 2TC.H	40	51,8	130	102	16	51,2	36	14	2,8
LEFN 210 2PC	50	62,5	143	111	16	54,6	38	15	2,8
LEFN 210 2PC.H	50	62,5	143	111	16	54,6	38	15	2,8

Typical Applications:
Potencijalno mesto ugradnje i primena:

Specificity/Specifičnosti
 Five-lip sealing/Petousna zaptivka
 Three-lip sealing/Trousna zaptivka
 Housing material: ductile iron/Materijal kućišta: nodularni liv
 Protective metal cap/Zaštitna metalna kapa
 Maintenance free (H)/Bez podmazivanja (H)

Customer Tailored Solutions in Agriculture

Poljoprivredni program prema zahtevu kupca



AC AGROCENTAR DOO

Slovenia, Šempeter v Savinjski Dolini
Tel: +386 3 703 40 10
www.agrocenter-sempeter.eu

AGRIPARTNER

France, Beaumont
Tel: +33 05 49 85 50 22
www.agripartner.fr

AS MODUATOR

Estonia, Põltsamaa
Tel: + 372 776 86 53
www.moduator.ee

AUCKLAND BEARING DISTRIBUTORS LTD

New Zealand, Auckland
Tel: +64 9 444 65 66
www.aucklandbearings.co.nz

BEARING WAREHOUSE LTD

UK/Ireland, Sheffield
Tel: +44 1142 310 310
www.bearingwarehouse.co.uk

CELSAN EUROPA S.R.L.

Italy, Argelato
Tel: +39 51 66 30 741
www.celsan.com

COMPENSA

Austria, Wien
Tel: +43 1 982 14 39 23
www.compensa.at

EKOAL OOD

Bulgaria, Razgrad
Tel: +359 84 66 08 71
www.ekoalbg.com

EL MASRIA FOR TRADING

Egypt/Saudi Arabia, Alexandria
Tel: +20 100 747 37 93
www.elmasriatrading.com

GORIMPEX

Montenegro, Podgorica
Tel: +382 20 27 03 72
www.gorimpex.me

HAGOP GIRAGOS

Syria, Lattakia
Tel: +963 41 43 31 08
giragos@scs-net.org

FKL RUS LLC

Russia, Voronezh
Tel: +7 473 274 71 50
www.rusfkl.ru

FKL BY

Belarus, Minsk
Tel: +375 17 212 18 39
www.fkl.by

FKL CZECH S.R.O.

Czech Republic/Slovakia, Kroměříž
Tel: +420 573 33 68 60
www.fkl-czech.cz

FKL HUNGARY KFT

Hungary, Debrecen
Tel: +36 52 47 03 66
www.fklhungary.hu

FKL IBERICA BEARINGS S.L.

Spain/Portugal, Lugo
Tel: +34 982 20 90 33
www.fkl-iberica.com

FKL PARS

Iran, Tehran
Tel: +98 21 77 50 64 61
fkl.pars@gmail.com

FKL POLSKA SP.Z.O.O.SP.K.

Poland/Baltic States, Kuşlin
Tel: + 48 605 48 68 78
www.fkl-polska.pl

FKL ROMANIA SRL

Romania/Moldova, Bragadiru
Tel: +40 374 64 02 27
www.fklromania.ro

FKL UKRAINE LTD

Ukraine, Lutsk
Tel: +38 332 77 43 99
www.fkl.ua

HARALD LEITZ INDUSTRIEBEDARF

Germany, Heckelberg-Brunow
Tel: +49 33451 555 05
www.lietz-industriebedarf.de

LAUDORTS SIA

Latvia, Riga
Tel: +371 20 52 15 59
www.laudorts.lv

NOVOTECHNO

Slovakia, Nové Zámky
Tel: +421 35 77 05 605
www.novotechno.sk

PO BEARINGS

Slovakia, Prešov
Tel: +421 51 74 95 113
www.loziska-bearings.sk

PORIN LAAKERI OY

Finland, Pori
Tel: +358 2 631 95 00
www.nomogroup.fi

ROLLER J KOUKORINIS J LIAKOPOULOS EE

Greece, Larissa
Tel: +30 2410 28 91 39
www.roller.com.gr

SE-KRA DOO

Croatia, Sesvetski Kraljevec
Tel: +385 01 204 80 23
www.se-kra.hr

SISA OTOMOTIV DIS TICARET LTD

Turkey/Iraq, Izmir
Tel: +90 232 375 22 81
sisa.dis.tic@superonline.com

SRL ROMANCIUC ROMA SI CO

Moldova, Singerei
Tel: +373 69 16 83 82
romanciuci@mail.ru

TEMKO DOO

North Macedonia, Skoplje
Tel: +389 23 66 068
goran.temko@gmail.com

TOO BIZON GROUP

Kazakhstan, Akkol
Tel: +771 63 85 01 40
www.fkl.kz

TIVI GROUP LTD

Bulgaria, Dimitrovgrad
Tel: +359 391 61 561
www.tivigroup.com

UAB IGNERA

Lithuania, Kaunas
Tel: +370 37 35 35 15
www.ignera.lt

VSC UNITECH SRL

Moldova, Chişinău
Tel: +373 69 10 16 79
vsc.unitech@gmail.com

VULIN DOO

Bosnia and Herzegovina, Bijeljina
Tel: +387 55 49 03 40
vulindoo@yahoo.com

Domestic Distributors

Domaći distributeri

AGROMARKET DOO

Serbia, Veternik
Tel: +381 21 82 34 24
www.agromarket021.com

JUSEL DOO

Serbia, Šabac
Tel: +381 15 30 00 00
www.jusel.com

KUGLAGER DOO

Serbia, Novi Sad
Tel: +381 21 6393 130
www.kuglager.rs

LAGERTON DOO

Serbia, Niš
Tel: +381 18 57 63 62
www.lagerton.com

NEPTUN DOO

Serbia, Temerin
Tel: +381 21 84 62 55
www.neptundoo.rs

SET TRADE N&N DOO

Serbia, Zrenjanin
Tel: +381 23 52 34 00
settradenn@gmail.com

TENEJ DOO

Serbia, Beograd
Tel: +381 11 74 65 655
www.tenej.com



Factory of Rolling Bearings and Cardan Shafts

Fabrika kotrljajućih ležajeva i kardana

Industrijska zona bb
21235 Temerin
SERBIA

*Industrijska zona bb
21235 Temerin
SRBIJA*

Head of Sales +381 21 6841 222
Foreign Markets +381 21 6841 190
+381 21 6841 205
+381 21 6841 201

*Šef prodaje +381 21 6841 222
Domaća prodaja +381 11 3610 833
+381 21 6841 187*

sales@fkl-serbia.com
prodaja@fkl-serbia.com
marketing@fkl-serbia.com

www.fkl-serbia.com

Edition/*Izdanje* 2020